



1500 SERIES BELT CONVEYORS & FIELD LOADERS

PARTS MANUAL

TABLE OF CONTENTS

| DESCRIPTION | PAGE |
|--|------|
| 1530 TD-15503003 | 6 |
| HOPPER (15000304P) | 10 |
| ELECTRIC DRIVE KIT (15000270) | 12 |
| HYDRAULIC DRIVE KIT FOR 1814LP & TD (18000281) | 14 |
| 1535 TD-15503503 | 16 |
| HOPPER (15000304P) | 20 |
| ELECTRIC DRIVE KIT (15000270) | 22 |
| HYDRAULIC DRIVE KIT FOR 1814LP & TD (18000281) | 24 |
| HOPPER (15000304P) | 26 |
| ELECTRIC DRIVE KIT (15000270) | 28 |
| HYDRAULIC DRIVE KIT FOR 1814LP & TD (18000281) | 30 |
| 1540 TD-15504053 | 32 |
| S-DRIVE (15597000) | 36 |
| HOPPER (15000304P) | 38 |
| ELECTRIC DRIVE KIT (15000270) | 40 |
| HYDRAULIC DRIVE KIT FOR 1814LP & TD (18000281) | 42 |
| 1545 TD-15504553 | 44 |
| S-DRIVE (15597000) | 48 |
| HOPPER (15000304P) | 50 |
| ELECTRIC DRIVE KIT (15000270) | 52 |
| HYDRAULIC DRIVE KIT FOR 1814LP & TD (18000281) | 54 |
| 1555 SD-15505511 | 56 |
| S-DRIVE (15590020) | 60 |
| HOPPER (15000304P) | 62 |
| GAS DIRECT DRIVE KIT (15593100) | 64 |
| ELECTRIC DRIVE KIT (15593000) | 68 |
| SIDE P.T.O. DRIVE KIT 15 SERIES (15592200) | 70 |
| 1535 FL-15503522 | 72 |
| S-DRIVE (15590020) | 76 |
| HOPPER (15000303P) | 78 |
| 1535FL GAS DIRECT DRIVE KIT (15593120) | 80 |
| ELECTRIC DRIVE KIT (15593010) | 84 |
| 1545 FL-15504522 | 86 |
| S-DRIVE (15590020) | 90 |
| HOPPER (15000303P) | 92 |
| 1545FL GAS DIRECT DRIVE KIT (15593130) | 94 |

TABLE OF CONTENTS

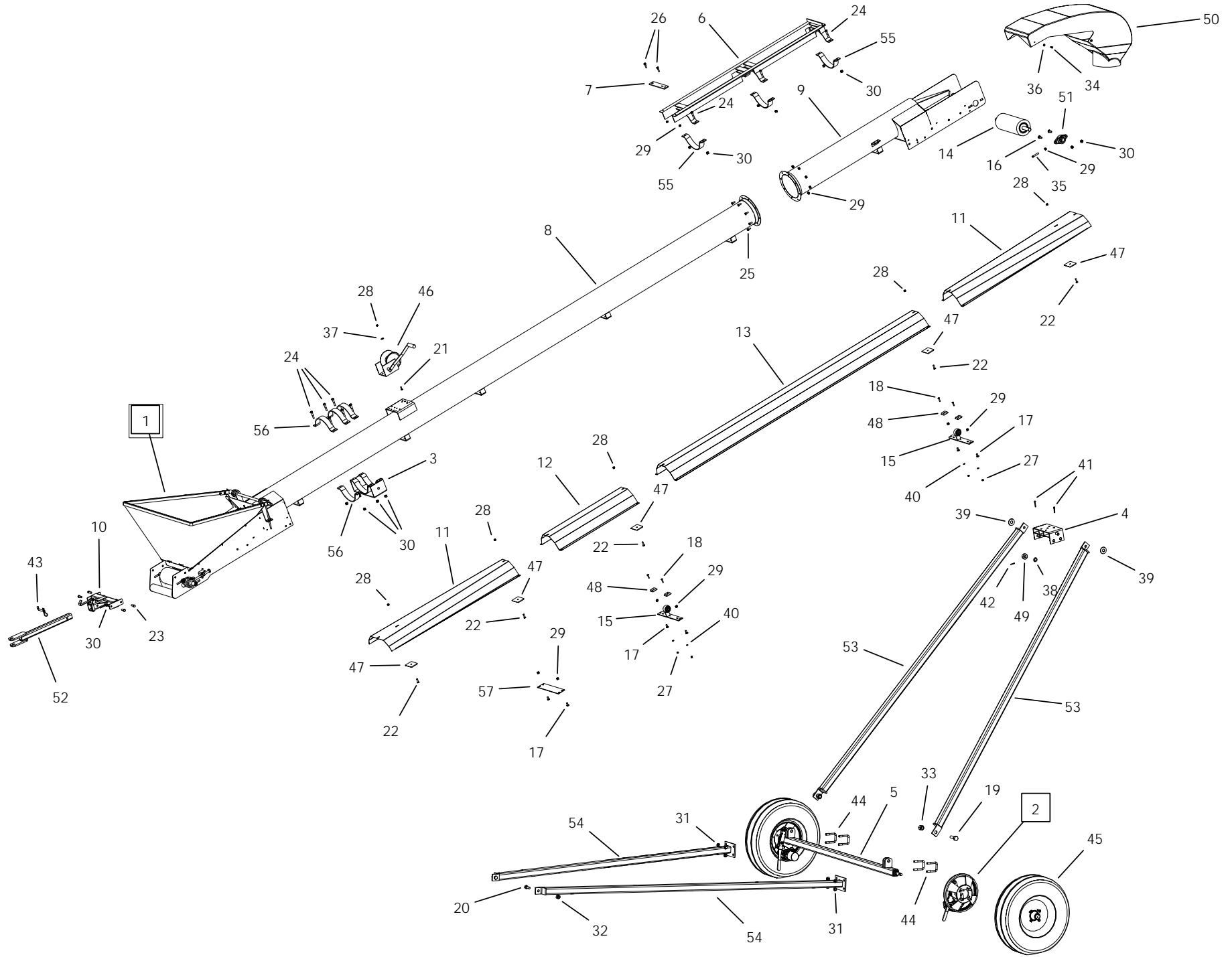
| DESCRIPTION | PAGE |
|--|------|
| ELECTRIC DRIVE KIT (15593010) | 98 |
| 1535 FL TD-15503541 | 100 |
| SPOUT PINCH ROLLER KIT (15597000) | 104 |
| HOPPER (15000303P) | 106 |
| ELECTRIC DRIVE KIT (15000270) | 108 |
| HYDRAULIC DRIVE KIT FOR 1814LP & TD (18000281) | 110 |
| 1545 FL TD-15504541 | 112 |
| SPOUT PINCH ROLLER KIT (15597000) | 116 |
| HOPPER (15000303P) | 118 |
| ELECTRIC DRIVE KIT (15000270) | 120 |
| HYDRAULIC DRIVE KIT FOR 1814LP & TD (18000281) | 122 |
| 1565 SD-15506511 | 124 |
| S-DRIVE (15590020) | 128 |
| HOPPER (15000304P) | 130 |
| ELECTRIC DRIVE KIT (15593000) | 132 |
| SIDE P.T.O. DRIVE KIT 15 SERIES (15592200) | 134 |
| FRONT DRIVE PTO KIT 15 SERIES (15592230) | 136 |
| 1575 SD-15507511 | 138 |
| S-DRIVE (15590020) | 142 |
| HOPPER (15000304P) | 144 |
| 1575 ELECTRIC DRIVE KIT (15593020) | 146 |
| SIDE P.T.O. DRIVE KIT 15 SERIES (15592200) | 148 |
| FRONT DRIVE PTO KIT 15 SERIES (15592230) | 150 |
| 1585 SD-15508511 | 152 |
| S-DRIVE (15590020) | 156 |
| HOPPER (15000304P) | 158 |
| 1585 ELECTRIC DRIVE KIT (15593020) | 160 |
| SIDE P.T.O. DRIVE KIT 15 SERIES (15592200) | 162 |
| FRONT DRIVE PTO KIT 15 SERIES (15592230) | 164 |
| 1590 SD-15509011 | 166 |
| S-DRIVE (15590020) | 170 |
| HOPPER (15000304P) | 172 |
| 1590 ELECTRIC DRIVE KIT (15593020) | 174 |
| SIDE P.T.O. DRIVE KIT 15 SERIES (15592200) | 176 |
| FRONT DRIVE PTO KIT 15 SERIES (15592230) | 178 |
| 15100 SD-15510011 | 180 |

TABLE OF CONTENTS

| DESCRIPTION | PAGE |
|--|------|
| S-DRIVE (15590020) | 184 |
| HOPPER (15000304P) | 186 |
| 15100 ELECTRIC DRIVE KIT (15593020) | 188 |
| SIDE P.T.O. DRIVE KIT 15 SERIES (15592200) | 190 |
| FRONT DRIVE PTO KIT 15 SERIES (15592230) | 192 |
| 1535 FL FMD-15503525 | 194 |
| S-DRIVE (15590020) | 198 |
| HOPPER (15000303P) | 200 |
| WHEEL MOVE | 202 |
| WHEEL MOVE DRIVE SYSTEM (13000139) | 206 |
| 1535FL GAS DIRECT DRIVE KIT (15593120) | 208 |
| WET KIT GAS (1559408X) - 45 | 212 |
| 1545 FL FMD-15504525 | 214 |
| S-DRIVE (15590020) | 218 |
| HOPPER (15000303P) | 220 |
| WHEEL MOVE | 222 |
| WHEEL MOVE DRIVE SYSTEM (13000139) | 226 |
| 1545FL GAS DIRECT DRIVE KIT (15593130) | 228 |
| WET KIT GAS (1559408X) - 45 | 232 |
| 1565 FMD-15506515 | 234 |
| S-DRIVE (15590020) | 238 |
| HOPPER (15000304P) | 240 |
| WHEEL MOVE | 242 |
| WHEEL MOVE DRIVE SYSTEM (13000144) | 244 |
| WHEEL MOVE HYDRAULIC SCHEMATIC | 246 |
| GAS DIRECT DRIVE KIT (15593100) | 248 |
| WET KIT GAS (1559408X) - 45 | 252 |
| 1575 FMD-15507515 | 254 |
| S-DRIVE (15590020) | 258 |
| HOPPER (15000304P) | 260 |
| WHEEL MOVE | 262 |
| WHEEL MOVE DRIVE SYSTEM (13000144) | 264 |
| WHEEL MOVE HYDRAULIC SCHEMATIC | 266 |
| GAS DIRECT DRIVE KIT (15593100) | 268 |
| WET KIT GAS (1559408X) - 45 | 272 |
| 1585 FMD-15508515 | 274 |

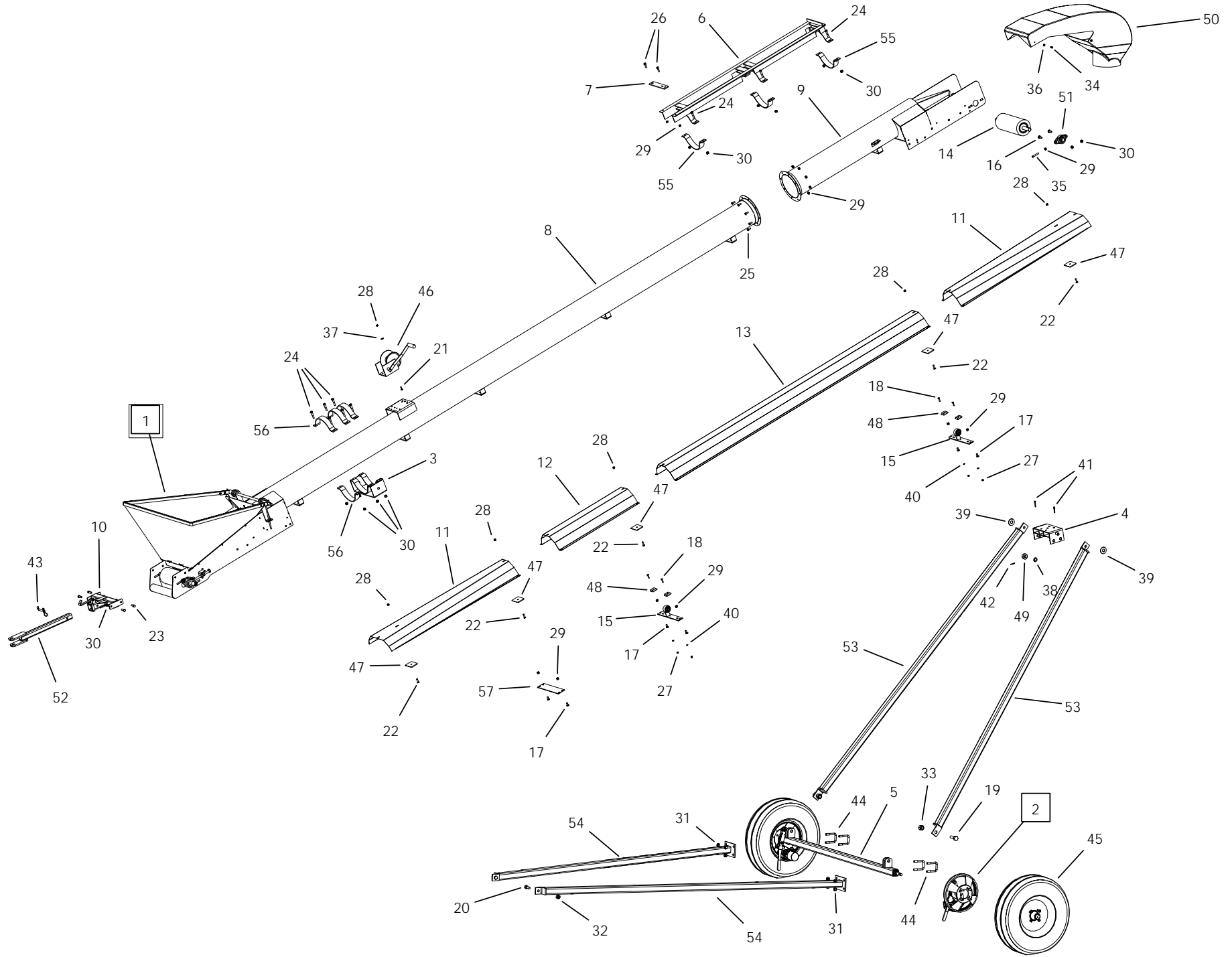
TABLE OF CONTENTS

| DESCRIPTION | PAGE |
|------------------------------------|------|
| S-DRIVE (15590020) | 278 |
| HOPPER (15000304P) | 280 |
| WHEEL MOVE | 282 |
| WHEEL MOVE DRIVE SYSTEM (13000144) | 284 |
| WHEEL MOVE HYDRAULIC SCHEMATIC | 286 |
| GAS DIRECT DRIVE KIT (15593100) | 288 |
| WET KIT GAS (1559408X) - 45 | 292 |
| 1590 FMD-15509015 | 294 |
| S-DRIVE (15590020) | 298 |
| HOPPER (15000304P) | 300 |
| WHEEL MOVE | 302 |
| WHEEL MOVE DRIVE SYSTEM (13000144) | 304 |
| WHEEL MOVE HYDRAULIC SCHEMATIC | 306 |
| GAS DIRECT DRIVE KIT (15593100) | 308 |
| WET KIT GAS (1559408X) - 45 | 312 |
| 15100 FMD-15510015 | 314 |
| S-DRIVE (15590020) | 320 |
| HOPPER (15000304P) | 322 |
| WHEEL MOVE | 324 |
| WHEEL MOVE DRIVE SYSTEM (13000144) | 326 |
| WHEEL MOVE HYDRAULIC SCHEMATIC | 328 |
| GAS DIRECT DRIVE KIT (15593100) | 330 |
| WET KIT GAS (1559408X) - 45 | 334 |



1530 TD-15503003

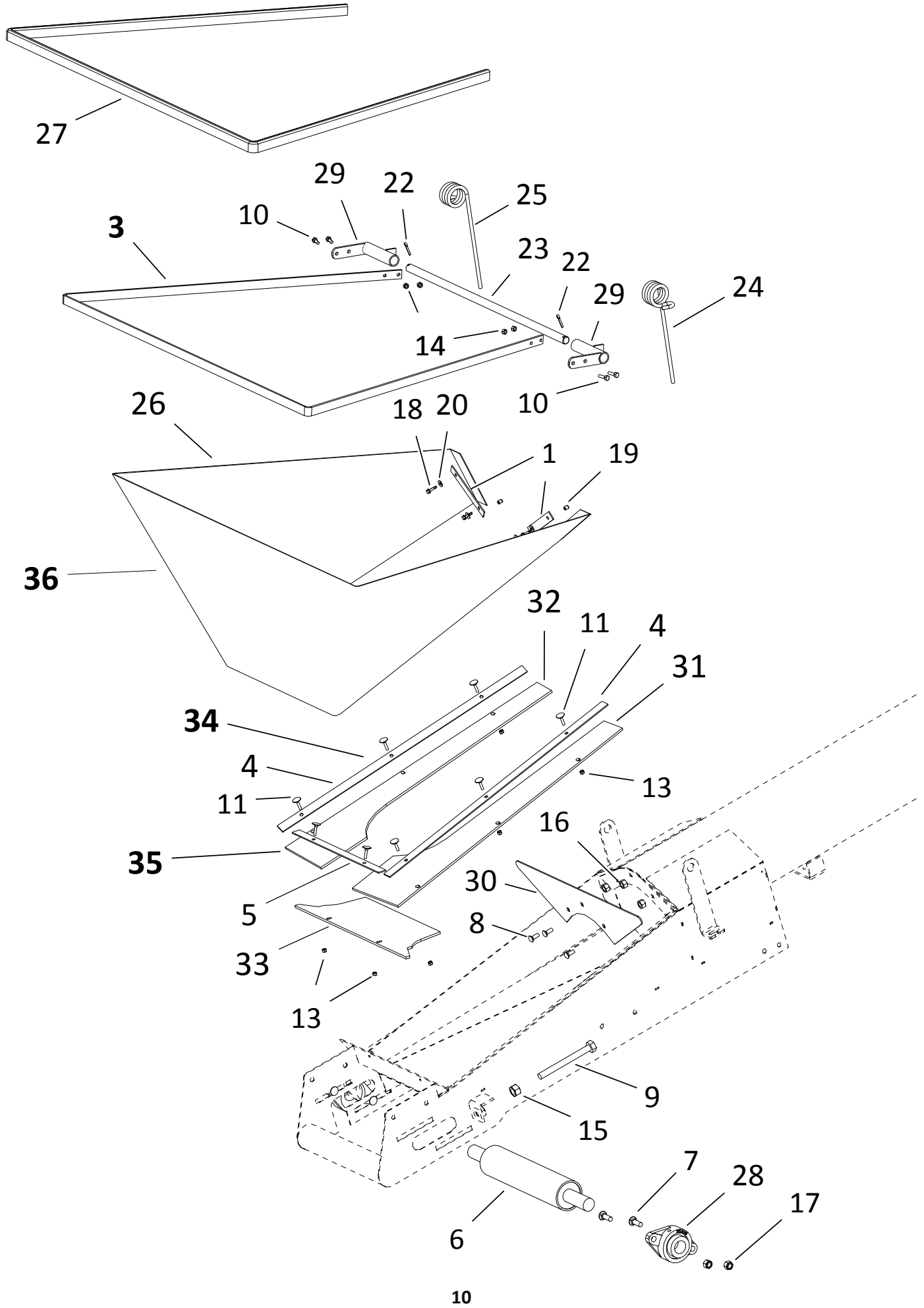
| ITEM | PART NO. | DESCRIPTION |
|------|-----------|-------------------------------------|
| 1 | 15000304P | HOPPER -COLLAPSABLE STD |
| 2 | 13000139 | MOVER WHEEL MOVE DRIVE SYS.2.5 AXLE |
| 3 | 13010008 | SUSPENSION BRACKET-NO TABS |
| 4 | 13030042 | 13/15 TRACK SLIDER |
| 5 | 13030100 | AXLE 30-45-2-1/2" (WITH 8 LUGS) |
| 6 | 13031050 | 13/15 3 Band Track |
| 7 | 13032094 | 35/45 SMALL CABLE ATTACH |
| 8 | 15020044 | BT HOPPER 20' W/ BRKTS |
| 9 | 15020048 | SPOUT SECTION 5' W/ MOUNTS |
| 10 | 15030005 | BELT TIGHTNER HITCH |
| 11 | 15042102 | WEATHER GUARD 5' FLR - 61-1/2" |
| 12 | 15042104 | WEATHER GUARD 3' STD - 37-1/2" |
| 13 | 15042121 | WEATHER GUARD 10' - 121-1/2" |
| 14 | 15070013 | SPOUT DRIVE ROLLER-1-1/4" LAGGED |
| 15 | 150100911 | WEATHER GUARD MOUNT BAR KIT-POLY |
| 16 | P0113001 | CARRIAGE BOLT 1/2"X2" PLATED |
| 17 | P0113013 | CARRIAGE BOLT 7/16"X1" PLATED |
| 18 | P0113020 | CARRIAGE BOLT 5/16"X1-1/2"PLATED |
| 19 | P0118004 | BOLT 1" X 3" GR8 PLATED |
| 20 | P0115111 | BOLT 3/4" X 2" GR8 PLATED |
| 21 | P0118046 | BOLT 3/8" X 1" GR8 PLATED |
| 22 | P0115303 | CAPSCREW 3/8X1-1/4FLT HD SOCKET PTD |
| 23 | P0118013 | BOLT 1/2"X1 1/2" GR.8 PLATED |
| 24 | P0118017 | BOLT 1/2"X2-1/2"GRADE 8 PLATED |
| 25 | P0118076 | BOLT 7/16"X1" GRADE 8 PLATED |
| 26 | P0118077 | BOLT 7/16"X1-1/2" GRADE 8 PLATED |
| 27 | P0131017 | NUT 5/16" PLATED GRADE 8 |
| 28 | P0134026 | LOCKNUT-NYLON-3/8" GRADE 8 |
| 29 | P0134007 | LOCKNUT-NYLON-7/16" |
| 30 | P0134008 | LOCKNUT-NYLON-1/2" |
| 31 | P01340101 | LOCKNUT-NYLON-5/8" GRADE 8 |
| 32 | P0134029 | LOCKNUT-NYLON-3/4" GRADE 8 |
| 33 | P0134030 | LOCKNUT-NYLON-1" GRADE 8 |
| 34 | P0141002 | TEK SCREW 1/4"X1" |
| 35 | P0145002 | SET SCREW-7/16"X2-1/2"SQ.HD. |
| 36 | P0151006 | FLAT WASHER 1/4"PLATED USS |
| 37 | P0151009 | FLAT WASHER 3/8"PLATED USS |
| 38 | P0151026 | FLAT WASHER 3/4"SAE |
| 39 | P0151031 | FLAT WASHER 1"PLATED USS |
| 40 | P0152010 | LOCK WASHER 5/16"PLATED |
| 41 | P0161001 | Cotter Pin 1/4 x 2 |
| 42 | P0161002 | COTTER PIN 5/32X1-1/2"PLATED |
| 43 | P0162001 | HITCH PIN 1/2" X 3" PLATED |
| 44 | P0183003 | U-BOLT 2-1/2" X 2-1/2" (5/8) PLATED |
| 45 | P0614301 | TIRE ASSEMBLY-15"X4.5"X4BOLT |
| 46 | P0714102 | WINCH-1500# BRAKE |



1530 TD-15503003

| ITEM | PART NO. | DESCRIPTION |
|------|------------|------------------------------------|
| 47 | P1010001 | UNI-MOUNT PLATE CAST |
| 48 | P1210030 | BELT GUIDE BLOCK |
| 49 | P1211305 | ROLLER 2" NYLON |
| 50 | P1211501 | HOOD-ROUND 15 SERIES (KANBAN) |
| 51 | P1711002 | FLANGE UNIT-1-1/4"-SAFL206-20 |
| 52 | 13030001 | STRAIGHT TONGUE |
| 53 | 13030053 | 1330TD/1335FL Upright Arms |
| 54 | 13030102 | AXLE ARM 30/35TD/45-2-1/2" |
| 55 | P2513202P | 2" U-CLAMP -PAINTED |
| 56 | P2513212P | 2" LOCKING U-CLAMP PAINTED |
| 57 | P11150181P | WG CROSS BAR (NO ROLLER)-PAINTED |
| 58 | P0711106 | 5/16 CABLE-30' (19883) (NOT SHOWN) |
| 59 | P1243001 | CABLE TIE 14" 120 LB |
| 60 | P2227989 | MANUAL HOLDER AND LID |
| 62 | 15570300 | 1530TD 60' 2" |

HOPPER (15000304P)

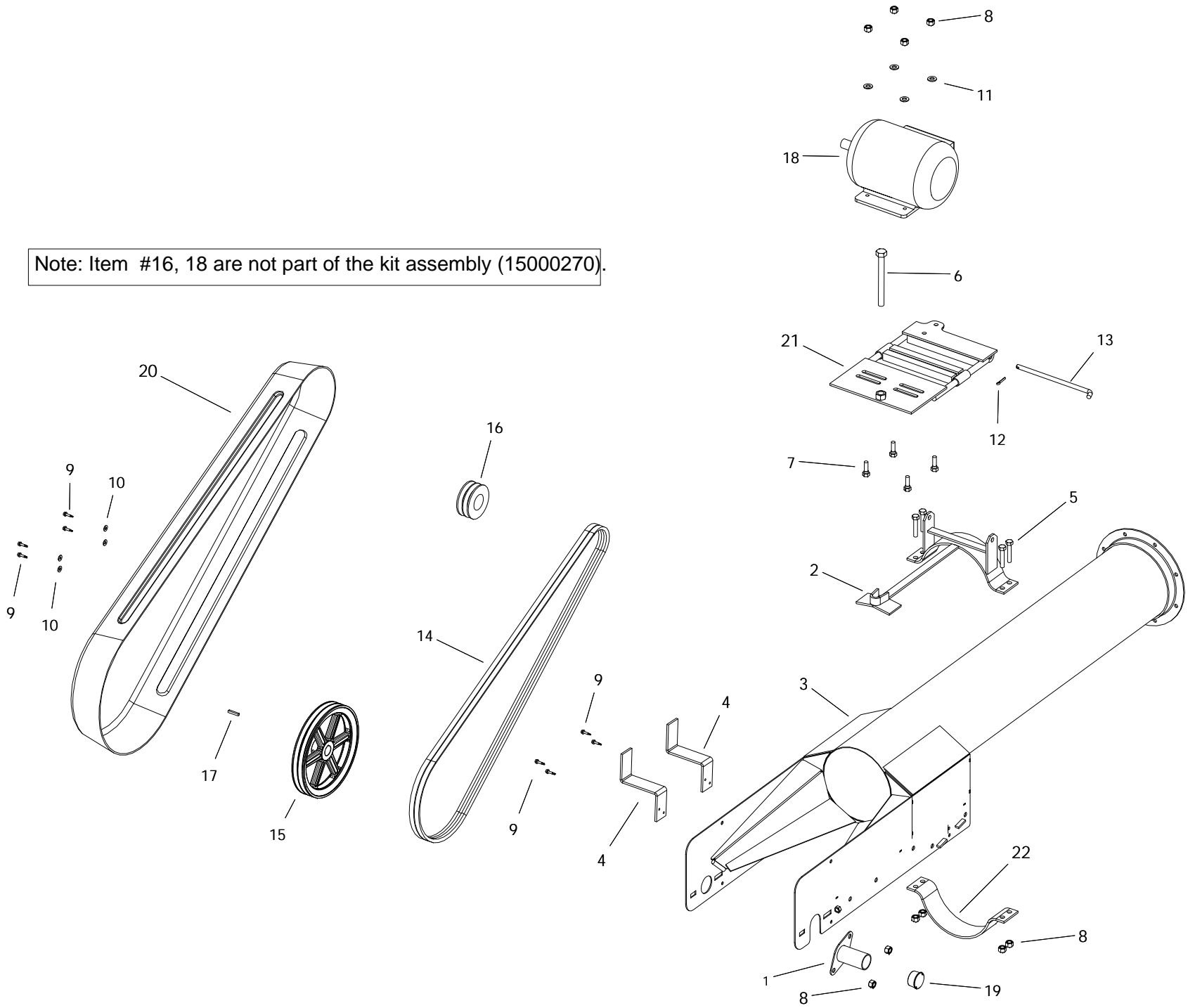


HOPPER (15000304P)

| ITEM | PART NO. | DESCRIPTION |
|------|-----------|---------------------------------|
| 1 | 13052001 | LOWER CLOTH FRAME STD BACK |
| 3 | 15052004 | UPPER CLOTH FRAME STD |
| 4 | 15052101 | LOWER CLOTH FRAME STD SIDE |
| 5 | 15052102 | LOWER CLOTH FRAME STD FRONT |
| 6 | 15070009 | HOPPER/SPOUT ROLLER LAGGED |
| 7 | P0113004 | CARRIAGE BOLT 1/2"X1-1/2"PLATED |
| 8 | P0113015 | CARRIAGE BOLT 3/8"X1" PLATED |
| 9 | P0114007 | TAP BOLT 3/4 X 7 PLATED |
| 10 | P0118061 | BOLT 5/16" X 1" GR8 PLATED |
| 11 | P0116001 | ELEVATOR BOLT 1/4"X1-1/4" |
| 13 | P0131016 | NUT 1/4" PLATED GRADE 8 |
| 14 | P0131017 | NUT 5/16" PLATED GRADE 8 |
| 15 | P0131019 | NUT 3/4" PLATED GRADE 8 |
| 16 | P0134026 | LOCKNUT-NYLON-3/8" GRADE 8 |
| 17 | P0134008 | LOCKNUT-NYLON-1/2" |
| 18 | P0141002 | TEK SCREW 1/4"X1" |
| 19 | P0145001 | VINYL SCREW CAP |
| 20 | P0151006 | FLAT WASHER 1/4"PLATED USS |
| 22 | P0161003 | COTTER PIN 3/16"X1-1/2"PLATED |
| 23 | P0162007 | HOPPER PIVOT SHAFT-13/15 |
| 24 | P0521001 | HOPPER SPRING-L |
| 25 | P0521002 | HOPPER SPRING-R |
| 26 | P1621007 | HOPPER CANVAS-15 CONV. |
| 27 | P1641015 | TRIM LOCK |
| 28 | P1711001 | FLANGE UNIT-1-1/2"-SAFL208-24 |
| 29 | P2515017 | PIVOT SHAFT BRACKET |
| 30 | P11150047 | HOPPER SHIELD |
| 31 | P19159000 | HOPPER LEFT FLASHING STD |
| 32 | P19159001 | HOPPER RIGHT FLASHING STD |
| 33 | P19159002 | HOPPER FRONT FLASHING STD |
| 34 | 15000314 | HOPPER -LINER KIT STD |
| 35 | 15000306P | HOPPER -FLASHING ONLY STD |
| 36 | 15000304P | HOPPER -COLLAPSABLE STD |

ELECTRIC DRIVE KIT (15000270)

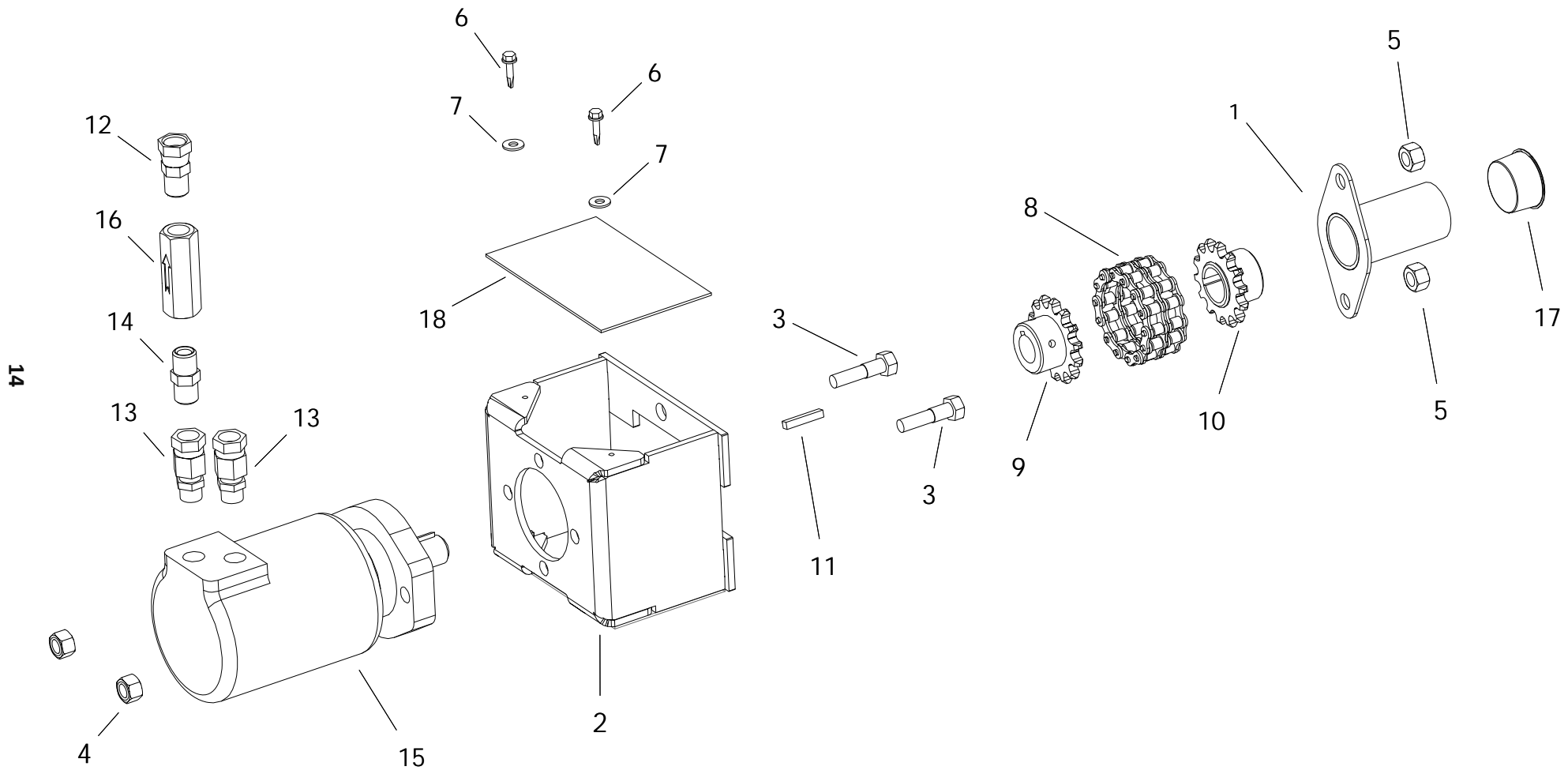
Note: Item #16, 18 are not part of the kit assembly (15000270).



ELECTRIC DRIVE KIT (15000270)

| ITEM | PART NO. | DESCRIPTION |
|------|-----------|----------------------------------|
| 1 | 13041038 | SHAFT GUARD(FL-206) |
| 2 | 13060004 | ELECTRIC MOTOR CLAMP |
| 3 | 15020006 | TRANSFER SPOUT 60" |
| 4 | 25013011 | PIT GUARD MOUNT |
| 5 | P0114005 | TAP BOLT 1/2 X 2-1/2 GR.8 PLATED |
| 6 | P0114007 | TAP BOLT 3/4 X 7 PLATED |
| 7 | P0118017 | BOLT 1/2"X2-1/2"GRADE 8 PLATED |
| 8 | P0134008 | LOCKNUT-NYLON-1/2" |
| 9 | P0141002 | TEK SCREW 1/4"X1" |
| 10 | P0151006 | FLAT WASHER 1/4"PLATED USS |
| 11 | P0151025 | FLAT WASHER 1/2" PLATED USS |
| 12 | P0161003 | COTTER PIN 3/16"X1-1/2"PLATED |
| 13 | P0162005 | PIN-ELECT.MTR.MNT-SHORT |
| 14 | P0321103 | BELT B103 |
| 15 | P0328007 | PULLEY-DBL-B-12" W/1-1/4"BORE |
| 16 | P0328018 | PULLEY-DBL-BK-4"H |
| 17 | P0391003 | KEY 1/4" X 1-1/2" LONG |
| 18 | P0931020 | MOTOR 5HP |
| 19 | P1210032 | FL-206 SHAFT GUARD PLUG |
| 20 | P1211803 | PIT GUARD |
| 21 | 13060037 | ELECTRIC MOTOR MOUNT BASE |
| 22 | P2513203P | 3" U-CLAMP PAINTED |

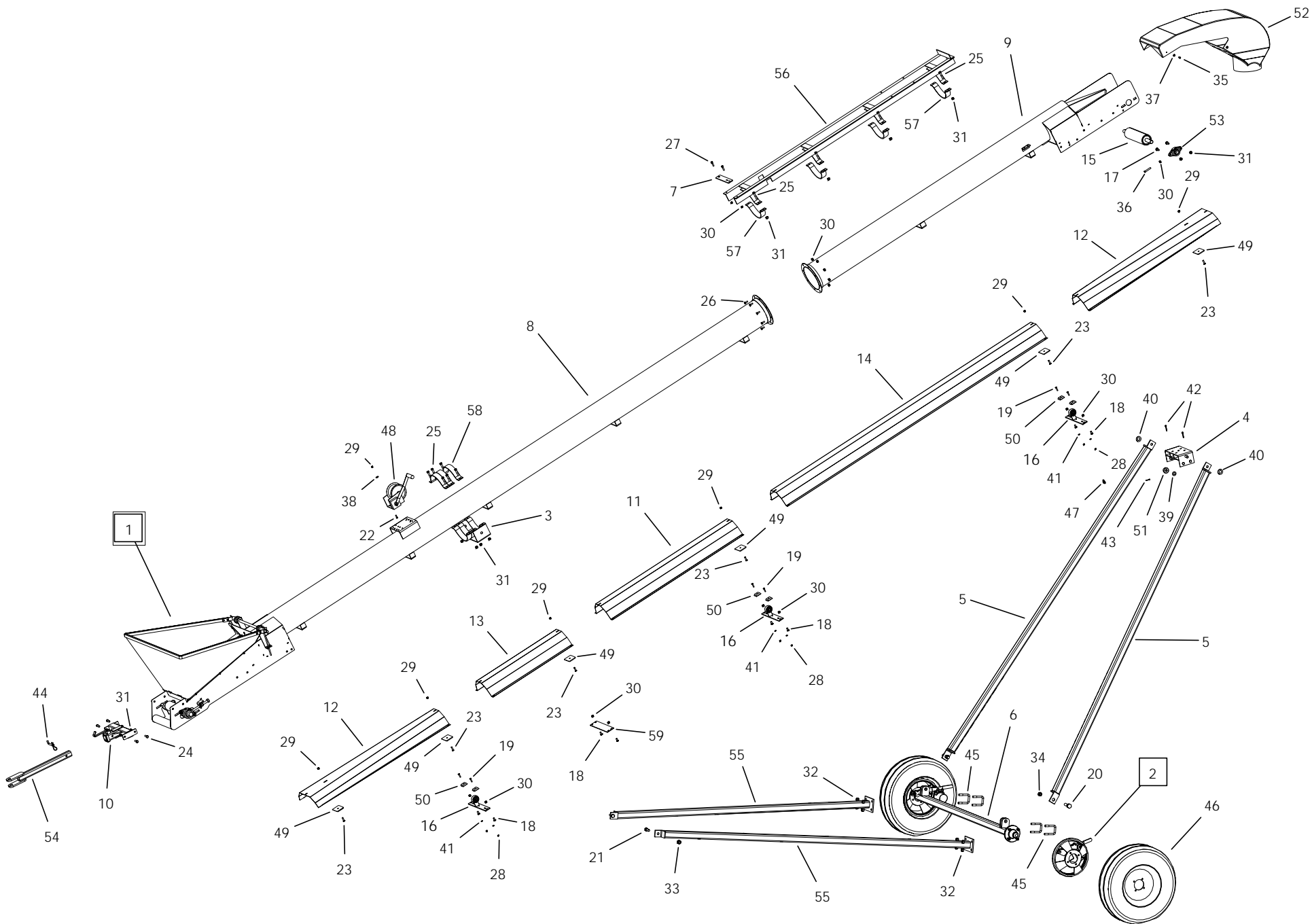
HYDRAULIC DRIVE KIT FOR 1814LP & TD (18000281)



14

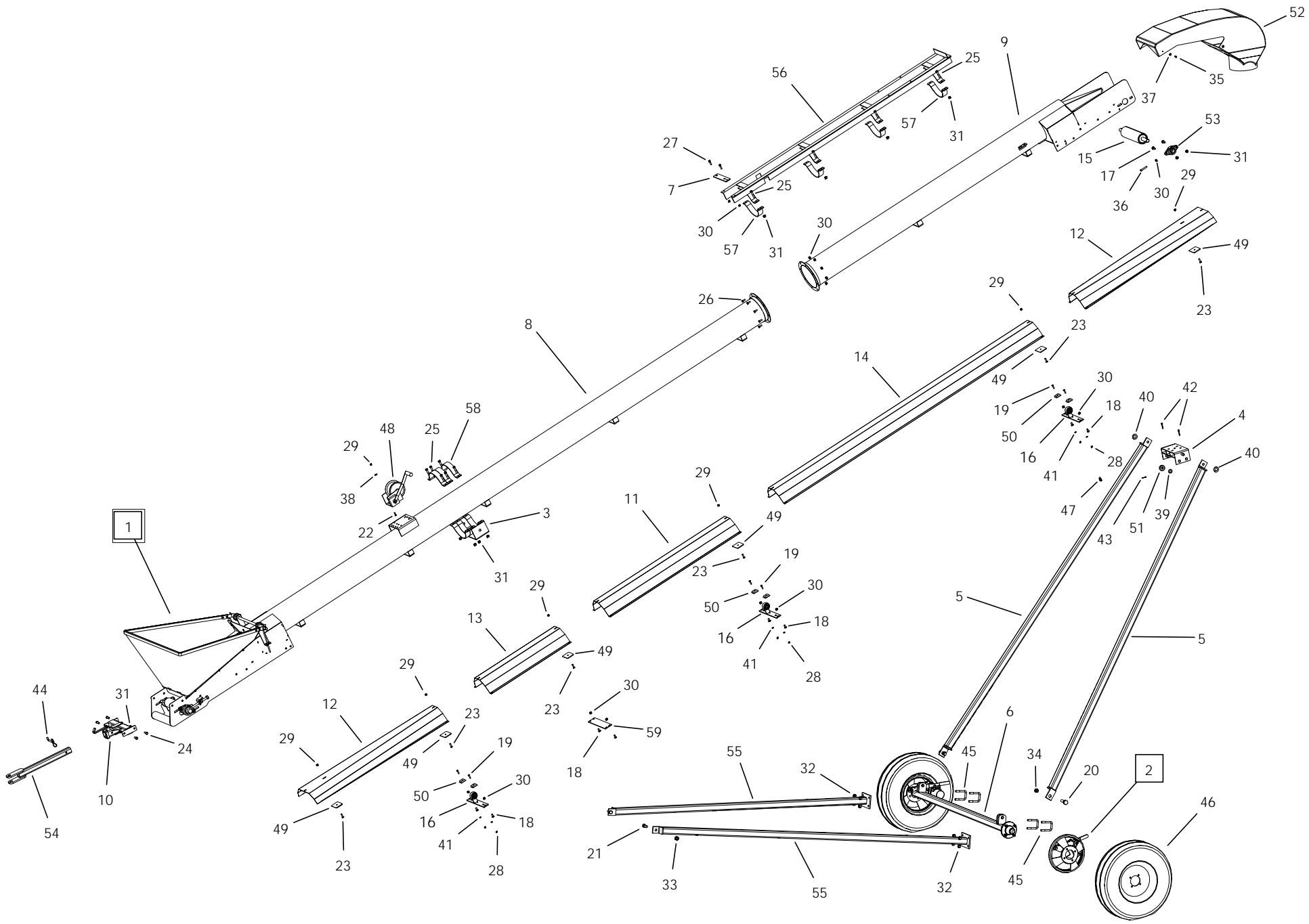
HYDRAULIC DRIVE KIT FOR 1814LP & TD (18000281)

| ITEM | PART NO. | DESCRIPTION |
|------|----------|-------------------------------------|
| 1 | 13041038 | SHAFT GUARD(FL-206) |
| 2 | 25060003 | 2000 SERIES PITSTOP MOUNT |
| 3 | P0118016 | BOLT 1/2" X 2" GR8 PLATED |
| 4 | P0134008 | LOCKNUT-NYLON-1/2" |
| 5 | P0134008 | LOCKNUT-NYLON-1/2" |
| 6 | P0141002 | TEK SCREW 1/4"X1" |
| 7 | P0151006 | FLAT WASHER 1/4"PLATED USS |
| 8 | P0311001 | ROLLER CHAIN FOR DRIVE(50-2RX14+CL) |
| 9 | P0335140 | SPROCKET 5014 1.0(KEY0.25) |
| 10 | P0335141 | SPROCKET 5014 1.25(KEY0.25) |
| 11 | P0391003 | KEY 1/4" X 1-1/2" LONG |
| 12 | P0821112 | SWIVEL-1/2" STRAIGHT |
| 13 | P0821114 | SWIVEL-10ORBx1/2"FS |
| 14 | P0821133 | HEX NIPPLE-1/2" |
| 15 | P0841019 | HYD MOTOR-6.2-2000-1" |
| 16 | P0861035 | CHECK VALVE-1/2" (NO HOLE) |
| 17 | P1210032 | FL-206 SHAFT GUARD PLUG |
| 18 | P1210100 | 1 1/4 HYDMTR GUARD 4.5 X 6.5 |



1535 TD-15503503

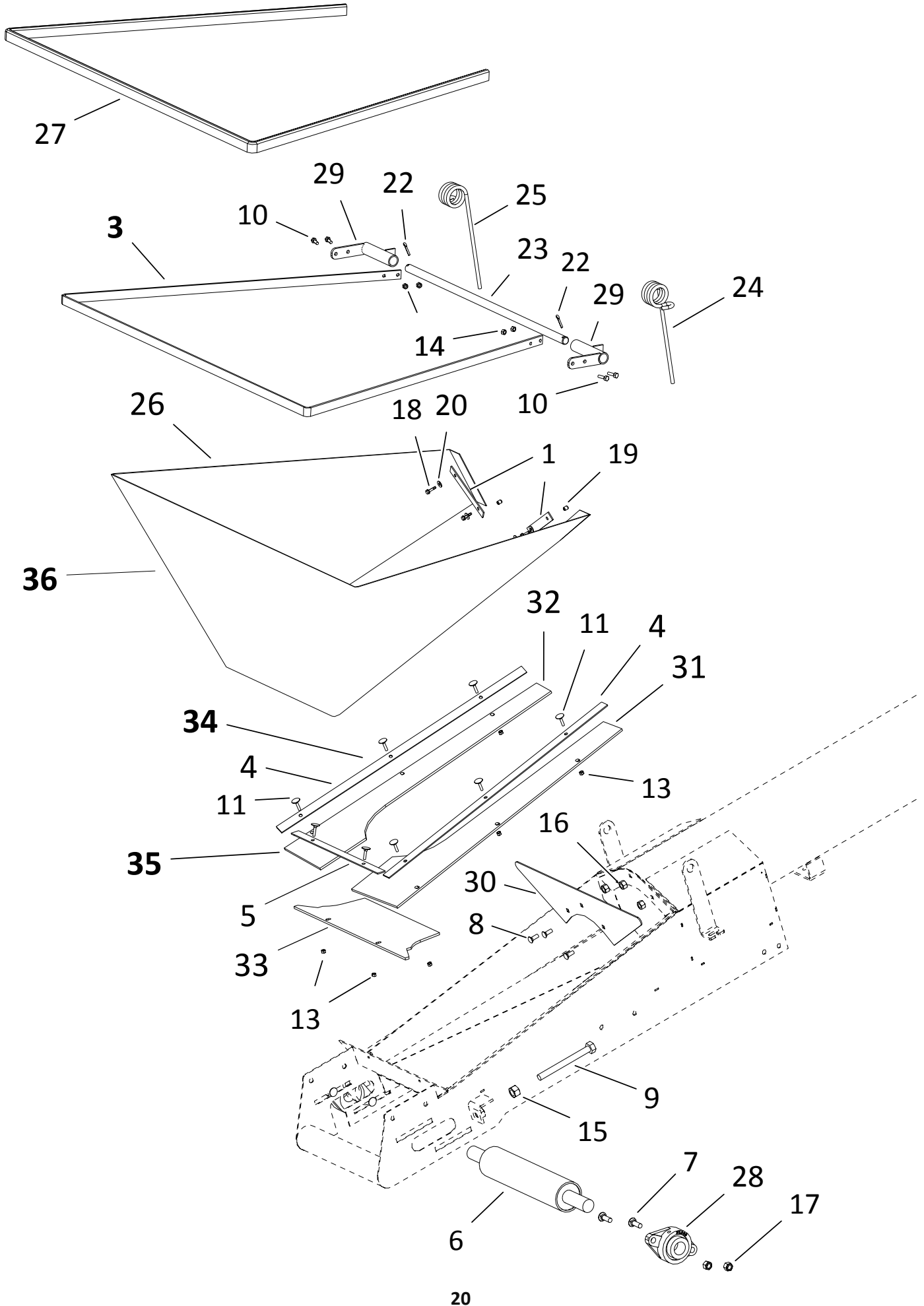
| ITEM | PART NO. | DESCRIPTION |
|------|-----------|-------------------------------------|
| 1 | 15000304P | HOPPER -COLLAPSABLE STD |
| 2 | 13000139 | MOVER WHEEL MOVE DRIVE SYS.2.5 AXLE |
| 3 | 13010008 | SUSPENSION BRACKET-NO TABS |
| 4 | 13030042 | 13/15 TRACK SLIDER |
| 5 | 13030024 | UPRIGHT ARM 35TD-1345 |
| 6 | 13030100 | AXLE 30-45-2-1/2" (WITH 8 LUGS) |
| 7 | 13032094 | 35/45 SMALL CABLE ATTACH |
| 8 | 15020044 | BT HOPPER 20' W/ BRKTS |
| 9 | 15020049 | SPOUT SECTION 10' W/ RTRN MOUNTS |
| 10 | 15030005 | BELT TIGHTNER HITCH |
| 11 | 15042101 | WEATHER GUARD 5' - 61-1/2" |
| 12 | 15042102 | WEATHER GUARD 5' FLR - 61-1/2" |
| 13 | 15042104 | WEATHER GUARD 3' STD - 37-1/2" |
| 14 | 15042121 | WEATHER GUARD 10' - 121-1/2" |
| 15 | 15070013 | SPOUT DRIVE ROLLER-1-1/4" LAGGED |
| 16 | 150100911 | WEATHER GUARD MOUNT BAR KIT-POLY |
| 17 | P0113001 | CARRIAGE BOLT 1/2"X2" PLATED |
| 18 | P0113013 | CARRIAGE BOLT 7/16"X1" PLATED |
| 19 | P0113020 | CARRIAGE BOLT 5/16"X1-1/2"PLATED |
| 20 | P0118004 | BOLT 1" X 3" GR8 PLATED |
| 21 | P0115111 | BOLT 3/4" X 2" GR8 PLATED |
| 22 | P0118046 | BOLT 3/8" X 1" GR8 PLATED |
| 23 | P0115303 | CAPSCREW 3/8X1-1/4FLT HD SOCKET PTD |
| 24 | P0118013 | BOLT 1/2"X1 1/2" GR.8 PLATED |
| 25 | P0118017 | BOLT 1/2"X2-1/2"GRADE 8 PLATED |
| 26 | P0118076 | BOLT 7/16"X1" GRADE 8 PLATED |
| 27 | P0118077 | BOLT 7/16"X1-1/2" GRADE 8 PLATED |
| 28 | P0131017 | NUT 5/16" PLATED GRADE 8 |
| 29 | P0134026 | LOCKNUT-NYLON-3/8" GRADE 8 |
| 30 | P0134007 | LOCKNUT-NYLON-7/16" |
| 31 | P0134008 | LOCKNUT-NYLON-1/2" |
| 32 | P01340101 | LOCKNUT-NYLON-5/8" GRADE 8 |
| 33 | P0134029 | LOCKNUT-NYLON-3/4" GRADE 8 |
| 34 | P0134030 | LOCKNUT-NYLON-1" GRADE 8 |
| 35 | P0141002 | TEK SCREW 1/4"X1" |
| 36 | P0145002 | SET SCREW-7/16"X2-1/2"SQ.HD. |
| 37 | P0151006 | FLAT WASHER 1/4"PLATED USS |
| 38 | P0151009 | FLAT WASHER 3/8"PLATED USS |
| 39 | P0151026 | FLAT WASHER 3/4"SAE |
| 40 | P0151027 | FLAT WASHER 1"SAE |
| 41 | P0152010 | LOCK WASHER 5/16"PLATED |
| 42 | P0161001 | Cotter Pin 1/4 x 2 |
| 43 | P0161002 | COTTER PIN 5/32X1-1/2"PLATED |
| 44 | P0162001 | HITCH PIN 1/2" X 3" PLATED |
| 45 | P0183003 | U-BOLT 2-1/2" X 2-1/2" (5/8) PLATED |
| 46 | P0614301 | TIRE ASSEMBLY-15"X4.5"X4BOLT |



1535 TD-15503503

| ITEM | PART NO. | DESCRIPTION |
|------|------------|----------------------------------|
| 47 | P0712105 | CABLE CLAMP-5/16" GALV. |
| 48 | P0714102 | WINCH-1500# BRAKE |
| 49 | P1010001 | UNI-MOUNT PLATE CAST |
| 50 | P1210030 | BELT GUIDE BLOCK |
| 51 | P1211305 | ROLLER 2" NYLON |
| 52 | P1211501 | HOOD-ROUND 15 SERIES (KANBAN) |
| 53 | P1711002 | FLANGE UNIT-1-1/4"-SAFL206-20 |
| 54 | 13030001 | STRAIGHT TONGUE |
| 55 | 13030102 | AXLE ARM 30/35TD/45-2-1/2" |
| 56 | 13031020 | 13/15 4 BAND TRACK |
| 57 | P2513202P | 2" U-CLAMP -PAINTED |
| 58 | P2513212P | 2" LOCKING U-CLAMP PAINTED |
| 59 | P11150181P | WG CROSS BAR (NO ROLLER)-PAINTED |
| 60 | P0711107 | 5/16" CABLE-40' (19884) |
| 61 | P1243001 | CABLE TIE 14" 120 LB |
| 62 | P2227989 | MANUAL HOLDER AND LID |
| 63 | 15570350 | 1535TD 70' 2" |

HOPPER (15000304P)

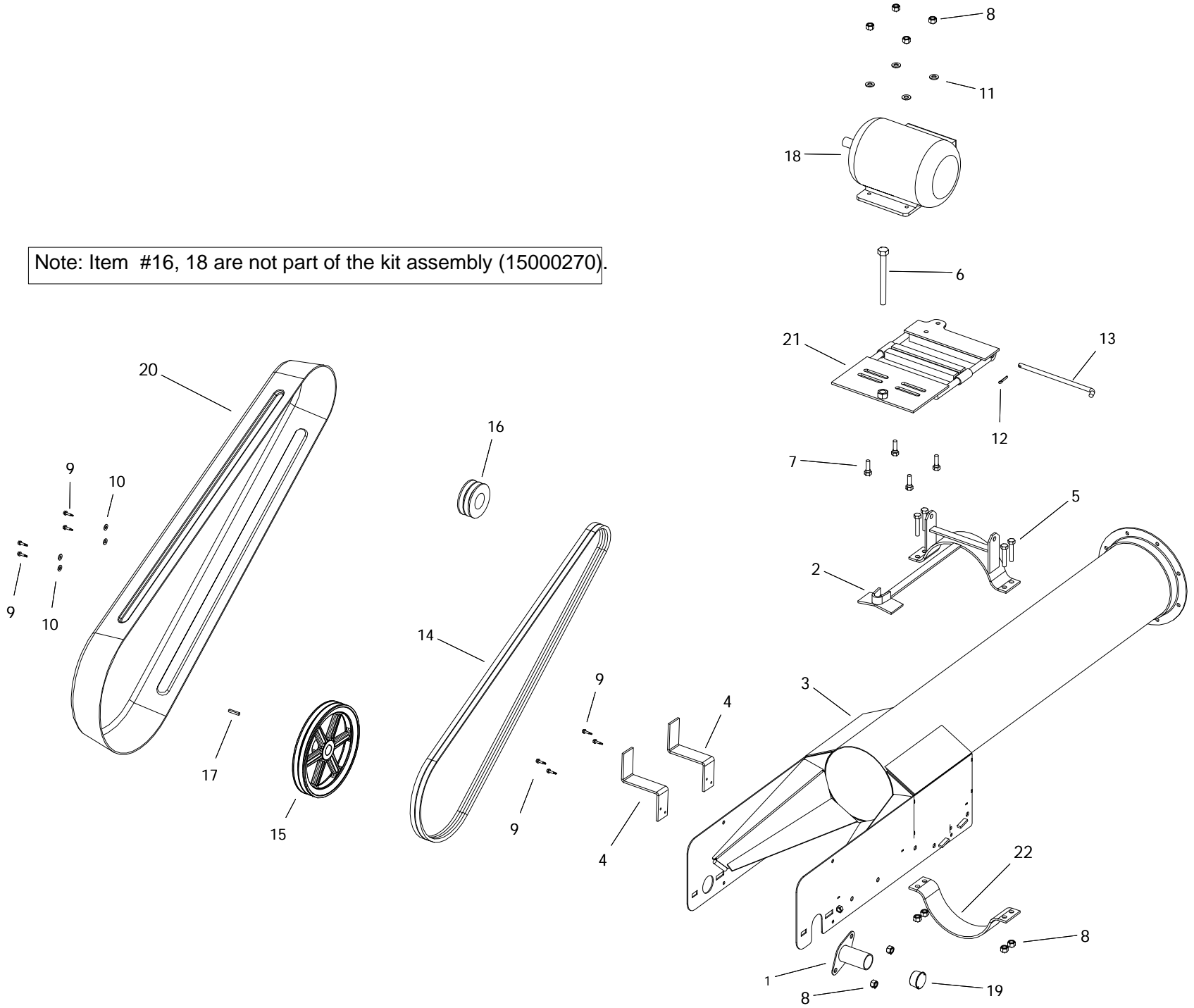


HOPPER (15000304P)

| ITEM | PART NO. | DESCRIPTION |
|------|-----------|---------------------------------|
| 1 | 13052001 | LOWER CLOTH FRAME STD BACK |
| 3 | 15052004 | UPPER CLOTH FRAME STD |
| 4 | 15052101 | LOWER CLOTH FRAME STD SIDE |
| 5 | 15052102 | LOWER CLOTH FRAME STD FRONT |
| 6 | 15070009 | HOPPER/SPOUT ROLLER LAGGED |
| 7 | P0113004 | CARRIAGE BOLT 1/2"X1-1/2"PLATED |
| 8 | P0113015 | CARRIAGE BOLT 3/8"X1" PLATED |
| 9 | P0114007 | TAP BOLT 3/4 X 7 PLATED |
| 10 | P0118061 | BOLT 5/16" X 1" GR8 PLATED |
| 11 | P0116001 | ELEVATOR BOLT 1/4"X1-1/4" |
| 13 | P0131016 | NUT 1/4" PLATED GRADE 8 |
| 14 | P0131017 | NUT 5/16" PLATED GRADE 8 |
| 15 | P0131019 | NUT 3/4" PLATED GRADE 8 |
| 16 | P0134026 | LOCKNUT-NYLON-3/8" GRADE 8 |
| 17 | P0134008 | LOCKNUT-NYLON-1/2" |
| 18 | P0141002 | TEK SCREW 1/4"X1" |
| 19 | P0145001 | VINYL SCREW CAP |
| 20 | P0151006 | FLAT WASHER 1/4"PLATED USS |
| 22 | P0161003 | COTTER PIN 3/16"X1-1/2"PLATED |
| 23 | P0162007 | HOPPER PIVOT SHAFT-13/15 |
| 24 | P0521001 | HOPPER SPRING-L |
| 25 | P0521002 | HOPPER SPRING-R |
| 26 | P1621007 | HOPPER CANVAS-15 CONV. |
| 27 | P1641015 | TRIM LOCK |
| 28 | P1711001 | FLANGE UNIT-1-1/2"-SAFL208-24 |
| 29 | P2515017 | PIVOT SHAFT BRACKET |
| 30 | P11150047 | HOPPER SHIELD |
| 31 | P19159000 | HOPPER LEFT FLASHING STD |
| 32 | P19159001 | HOPPER RIGHT FLASHING STD |
| 33 | P19159002 | HOPPER FRONT FLASHING STD |
| 34 | 15000314 | HOPPER -LINER KIT STD |
| 35 | 15000306P | HOPPER -FLASHING ONLY STD |
| 36 | 15000304P | HOPPER -COLLAPSABLE STD |

ELECTRIC DRIVE KIT (15000270)

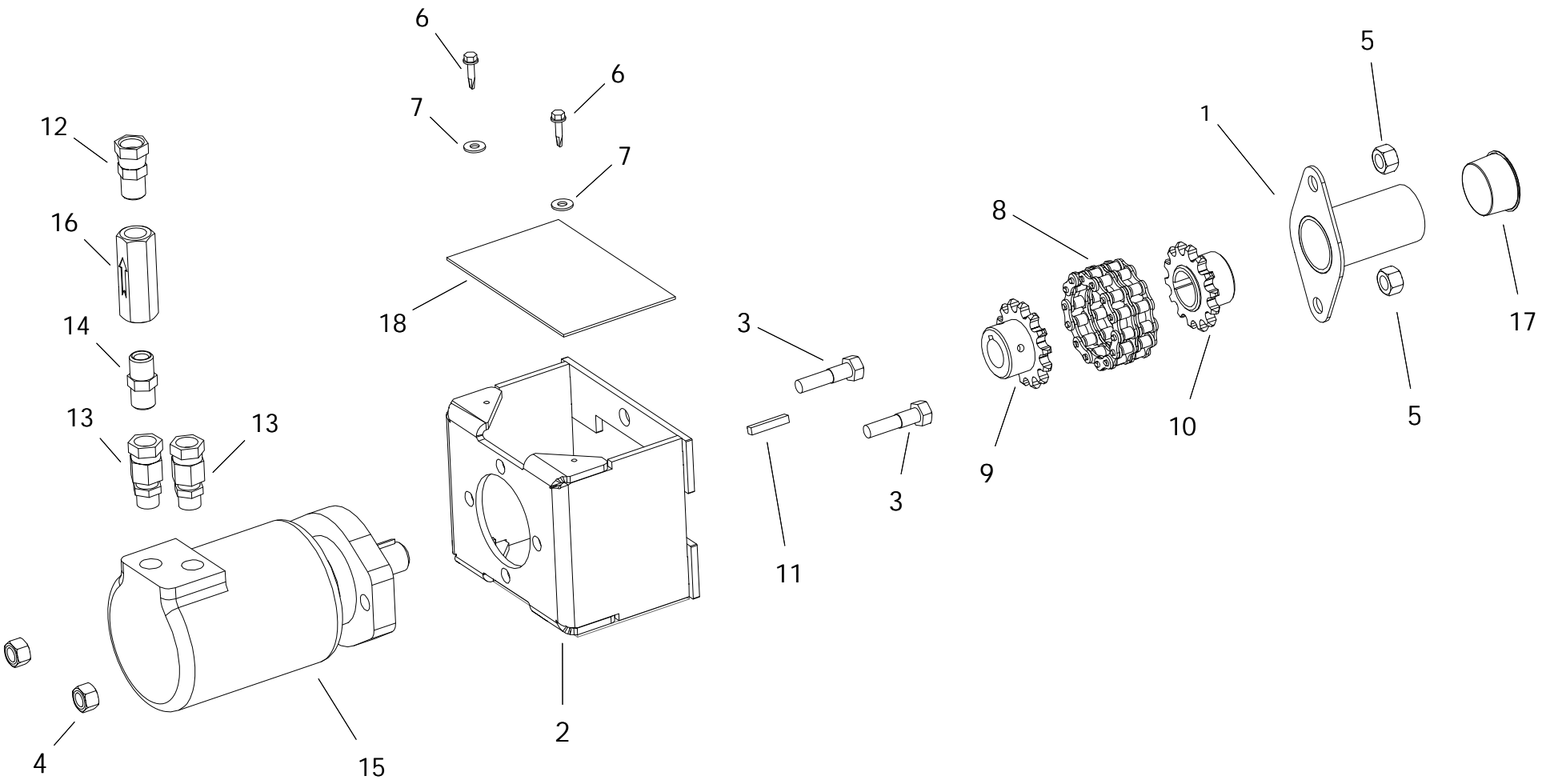
Note: Item #16, 18 are not part of the kit assembly (15000270).



ELECTRIC DRIVE KIT (15000270)

| ITEM | PART NO. | DESCRIPTION |
|------|-----------|----------------------------------|
| 1 | 13041038 | SHAFT GUARD(FL-206) |
| 2 | 13060004 | ELECTRIC MOTOR CLAMP |
| 3 | 15020006 | TRANSFER SPOUT 60" |
| 4 | 25013011 | PIT GUARD MOUNT |
| 5 | P0114005 | TAP BOLT 1/2 X 2-1/2 GR.8 PLATED |
| 6 | P0114007 | TAP BOLT 3/4 X 7 PLATED |
| 7 | P0118017 | BOLT 1/2"X2-1/2"GRADE 8 PLATED |
| 8 | P0134008 | LOCKNUT-NYLON-1/2" |
| 9 | P0141002 | TEK SCREW 1/4"X1" |
| 10 | P0151006 | FLAT WASHER 1/4"PLATED USS |
| 11 | P0151025 | FLAT WASHER 1/2" PLATED USS |
| 12 | P0161003 | COTTER PIN 3/16"X1-1/2"PLATED |
| 13 | P0162005 | PIN-ELECT.MTR.MNT-SHORT |
| 14 | P0321103 | BELT B103 |
| 15 | P0328007 | PULLEY-DBL-B-12" W/1-1/4"BORE |
| 16 | P0328018 | PULLEY-DBL-BK-4"H |
| 17 | P0391003 | KEY 1/4" X 1-1/2" LONG |
| 18 | P0931020 | MOTOR 5HP |
| 19 | P1210032 | FL-206 SHAFT GUARD PLUG |
| 20 | P1211803 | PIT GUARD |
| 21 | 13060037 | ELECTRIC MOTOR MOUNT BASE |
| 22 | P2513203P | 3" U-CLAMP PAINTED |

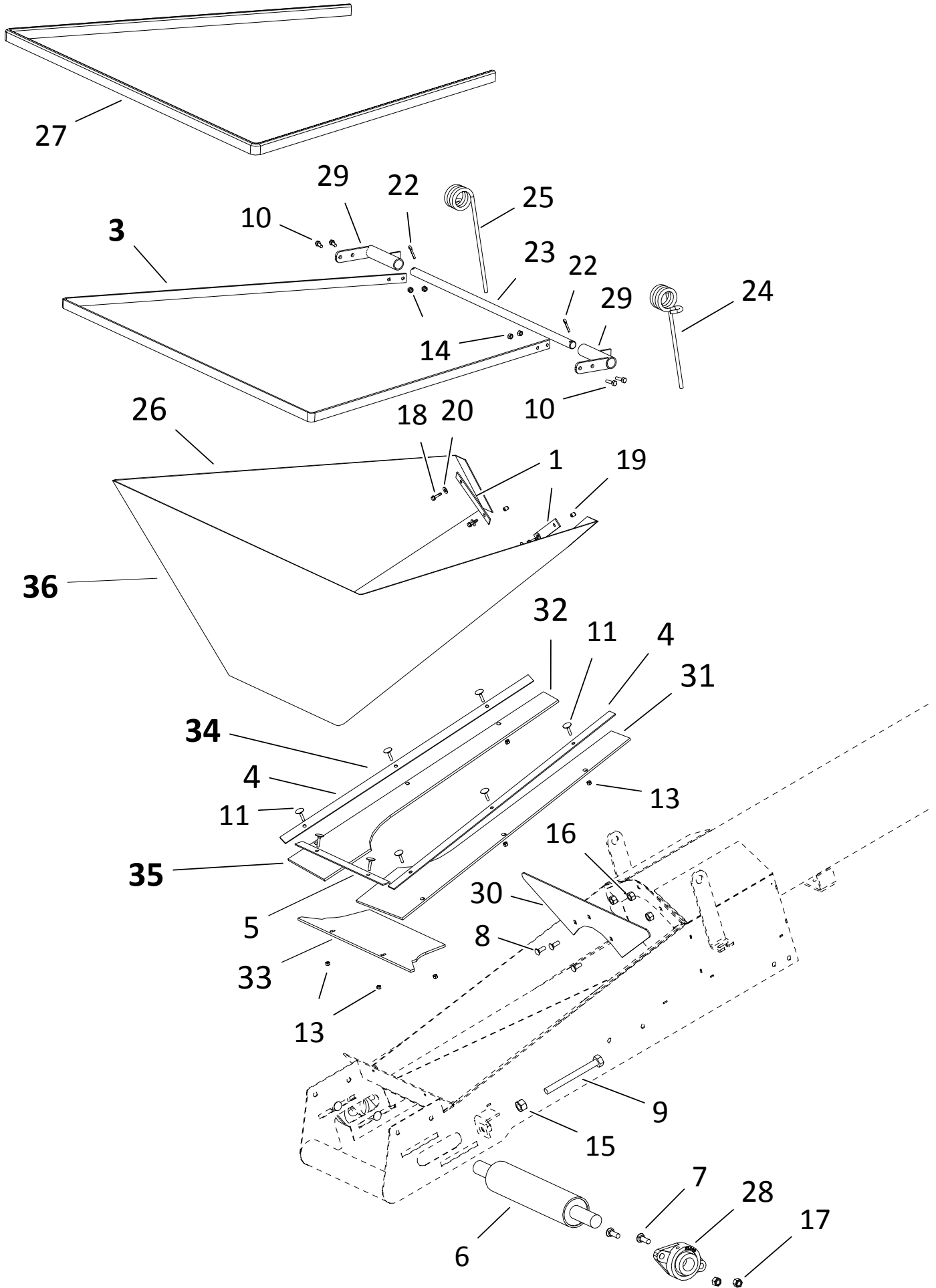
HYDRAULIC DRIVE KIT FOR 1814LP & TD (18000281)



HYDRAULIC DRIVE KIT FOR 1814LP & TD (18000281)

| ITEM | PART NO. | DESCRIPTION |
|------|----------|-------------------------------------|
| 1 | 13041038 | SHAFT GUARD(FL-206) |
| 2 | 25060003 | 2000 SERIES PITSTOP MOUNT |
| 3 | P0118016 | BOLT 1/2" X 2" GR8 PLATED |
| 4 | P0134008 | LOCKNUT-NYLON-1/2" |
| 5 | P0134008 | LOCKNUT-NYLON-1/2" |
| 6 | P0141002 | TEK SCREW 1/4"X1" |
| 7 | P0151006 | FLAT WASHER 1/4"PLATED USS |
| 8 | P0311001 | ROLLER CHAIN FOR DRIVE(50-2RX14+CL) |
| 9 | P0335140 | SPROCKET 5014 1.0(KEY0.25) |
| 10 | P0335141 | SPROCKET 5014 1.25(KEY0.25) |
| 11 | P0391003 | KEY 1/4" X 1-1/2" LONG |
| 12 | P0821112 | SWIVEL-1/2" STRAIGHT |
| 13 | P0821114 | SWIVEL-10ORBx1/2"FS |
| 14 | P0821133 | HEX NIPPLE-1/2" |
| 15 | P0841019 | HYD MOTOR-6.2-2000-1" |
| 16 | P0861035 | CHECK VALVE-1/2" (NO HOLE) |
| 17 | P1210032 | FL-206 SHAFT GUARD PLUG |
| 18 | P1210100 | 1 1/4 HYDMTR GUARD 4.5 X 6.5 |

HOPPER (15000304P)

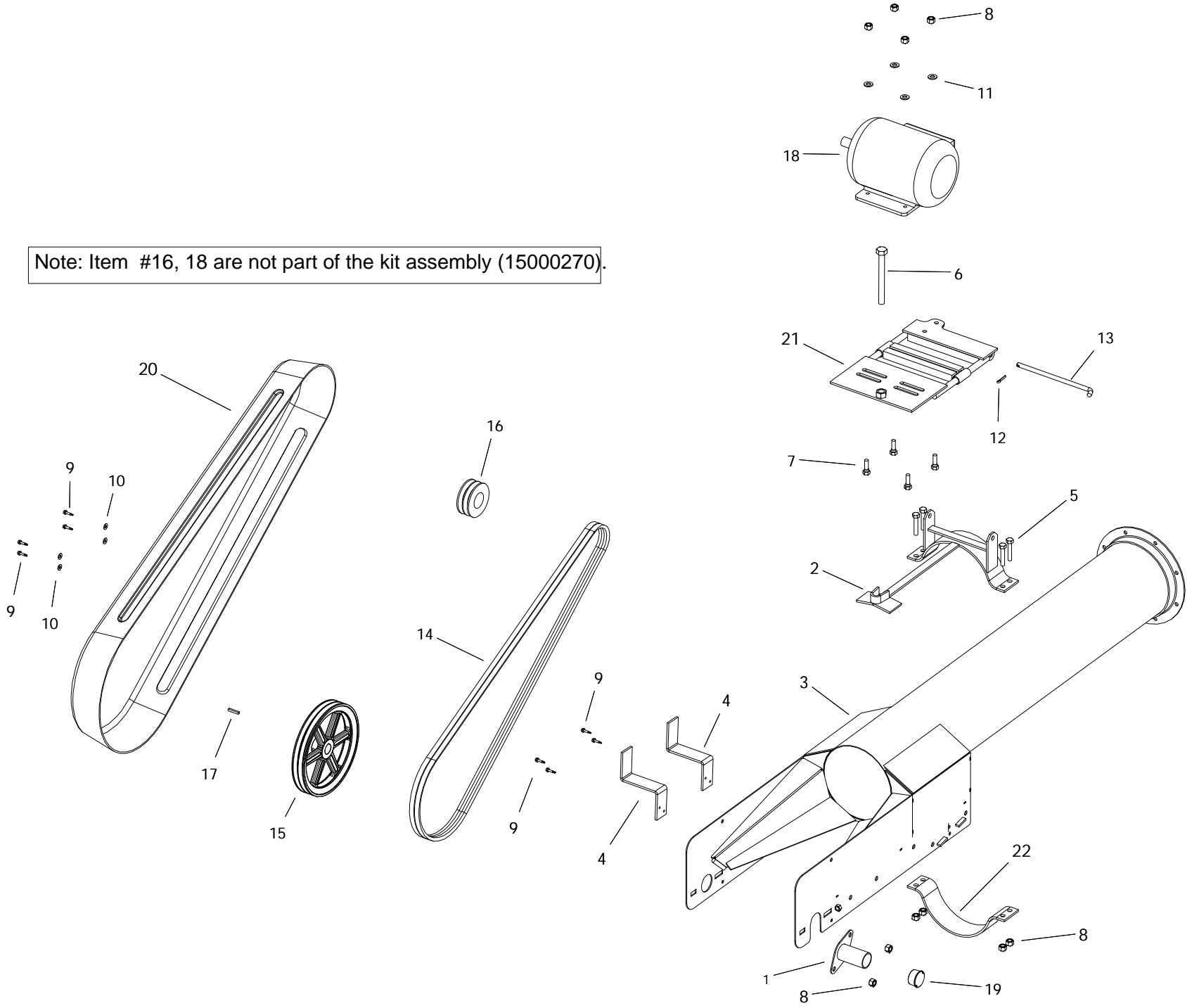


HOPPER (15000304P)

| ITEM | PART NO. | DESCRIPTION |
|------|-----------|---------------------------------|
| 1 | 13052001 | LOWER CLOTH FRAME STD BACK |
| 3 | 15052004 | UPPER CLOTH FRAME STD |
| 4 | 15052101 | LOWER CLOTH FRAME STD SIDE |
| 5 | 15052102 | LOWER CLOTH FRAME STD FRONT |
| 6 | 15070009 | HOPPER/SPOUT ROLLER LAGGED |
| 7 | P0113004 | CARRIAGE BOLT 1/2"X1-1/2"PLATED |
| 8 | P0113015 | CARRIAGE BOLT 3/8"X1" PLATED |
| 9 | P0114007 | TAP BOLT 3/4 X 7 PLATED |
| 10 | P0118061 | BOLT 5/16" X 1" GR8 PLATED |
| 11 | P0116001 | ELEVATOR BOLT 1/4"X1-1/4" |
| 13 | P0131016 | NUT 1/4" PLATED GRADE 8 |
| 14 | P0131017 | NUT 5/16" PLATED GRADE 8 |
| 15 | P0131019 | NUT 3/4" PLATED GRADE 8 |
| 16 | P0134026 | LOCKNUT-NYLON-3/8" GRADE 8 |
| 17 | P0134008 | LOCKNUT-NYLON-1/2" |
| 18 | P0141002 | TEK SCREW 1/4"X1" |
| 19 | P0145001 | VINYL SCREW CAP |
| 20 | P0151006 | FLAT WASHER 1/4"PLATED USS |
| 22 | P0161003 | COTTER PIN 3/16"X1-1/2"PLATED |
| 23 | P0162007 | HOPPER PIVOT SHAFT-13/15 |
| 24 | P0521001 | HOPPER SPRING-L |
| 25 | P0521002 | HOPPER SPRING-R |
| 26 | P1621007 | HOPPER CANVAS-15 CONV. |
| 27 | P1641015 | TRIM LOCK |
| 28 | P1711001 | FLANGE UNIT-1-1/2"-SAFL208-24 |
| 29 | P2515017 | PIVOT SHAFT BRACKET |
| 30 | P11150047 | HOPPER SHIELD |
| 31 | P19159000 | HOPPER LEFT FLASHING STD |
| 32 | P19159001 | HOPPER RIGHT FLASHING STD |
| 33 | P19159002 | HOPPER FRONT FLASHING STD |
| 34 | 15000314 | HOPPER -LINER KIT STD |
| 35 | 15000306P | HOPPER -FLASHING ONLY STD |
| 36 | 15000304P | HOPPER -COLLAPSABLE STD |

ELECTRIC DRIVE KIT (15000270)

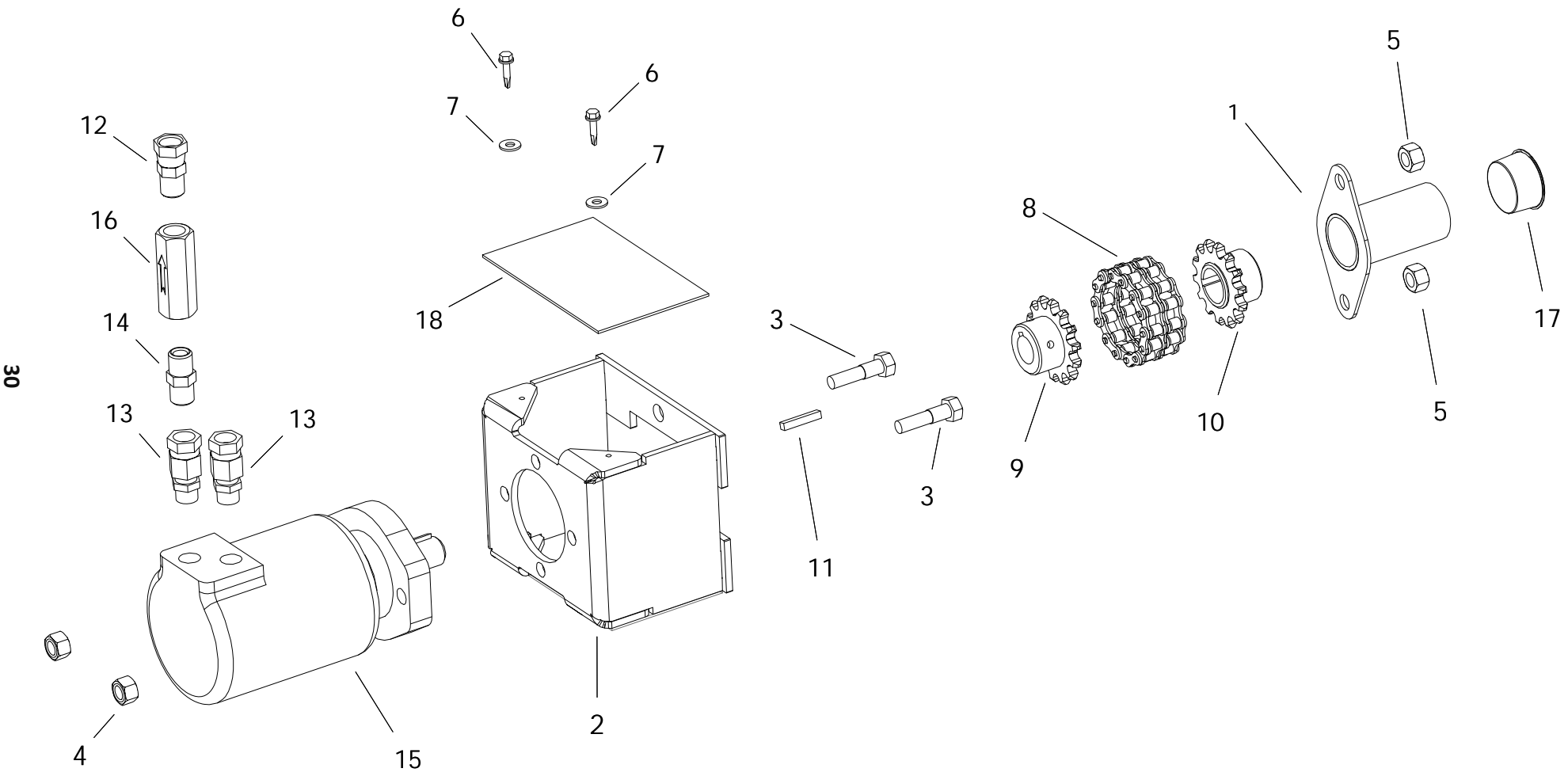
Note: Item #16, 18 are not part of the kit assembly (15000270).



ELECTRIC DRIVE KIT (15000270)

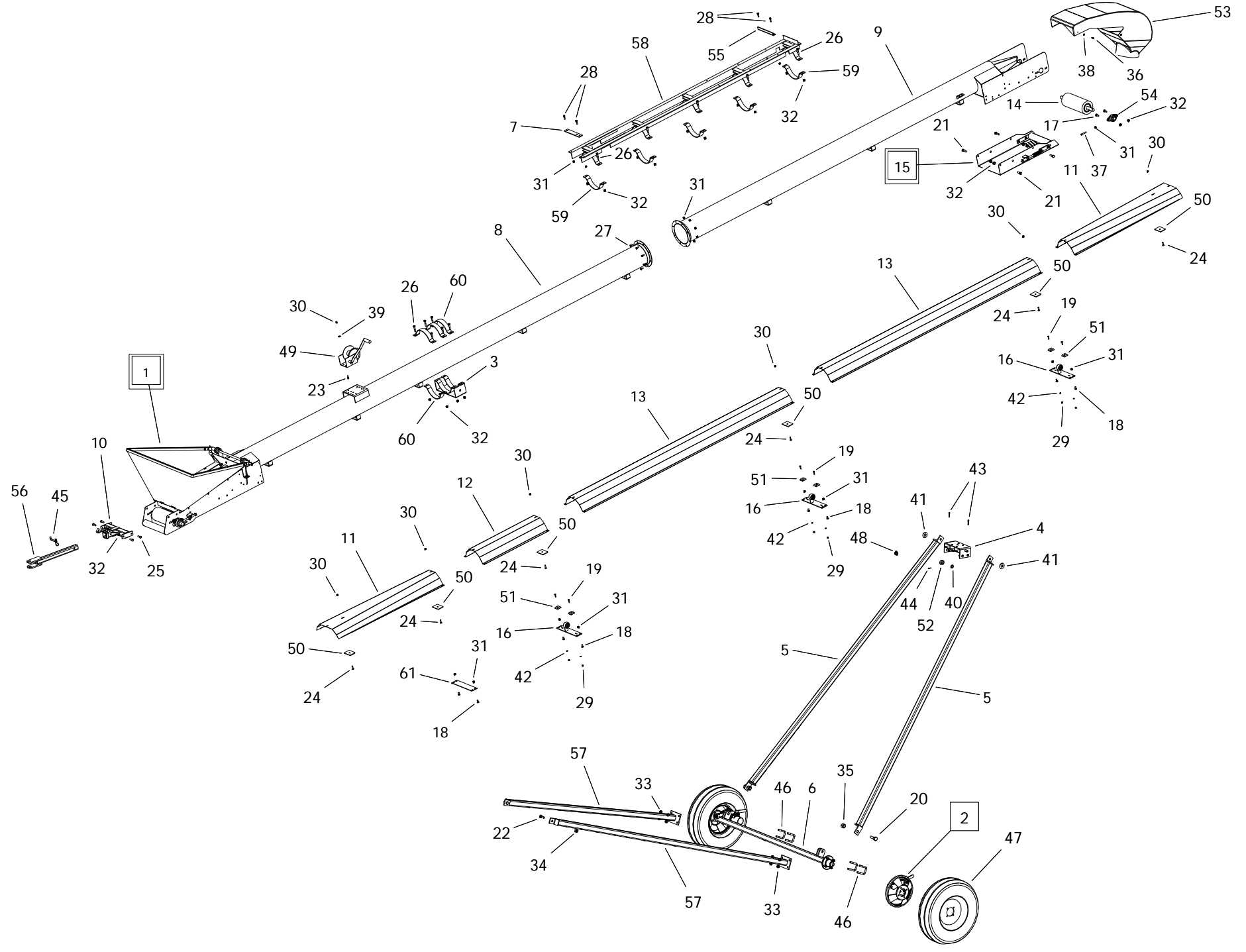
| ITEM | PART NO. | DESCRIPTION |
|------|-----------|----------------------------------|
| 1 | 13041038 | SHAFT GUARD(FL-206) |
| 2 | 13060004 | ELECTRIC MOTOR CLAMP |
| 3 | 15020006 | TRANSFER SPOUT 60" |
| 4 | 25013011 | PIT GUARD MOUNT |
| 5 | P0114005 | TAP BOLT 1/2 X 2-1/2 GR.8 PLATED |
| 6 | P0114007 | TAP BOLT 3/4 X 7 PLATED |
| 7 | P0118017 | BOLT 1/2"X2-1/2"GRADE 8 PLATED |
| 8 | P0134008 | LOCKNUT-NYLON-1/2" |
| 9 | P0141002 | TEK SCREW 1/4"X1" |
| 10 | P0151006 | FLAT WASHER 1/4"PLATED USS |
| 11 | P0151025 | FLAT WASHER 1/2" PLATED USS |
| 12 | P0161003 | COTTER PIN 3/16"X1-1/2"PLATED |
| 13 | P0162005 | PIN-ELECT.MTR.MNT-SHORT |
| 14 | P0321103 | BELT B103 |
| 15 | P0328007 | PULLEY-DBL-B-12" W/1-1/4"BORE |
| 16 | P0328018 | PULLEY-DBL-BK-4"H |
| 17 | P0391003 | KEY 1/4" X 1-1/2" LONG |
| 18 | P0931020 | MOTOR 5HP |
| 19 | P1210032 | FL-206 SHAFT GUARD PLUG |
| 20 | P1211803 | PIT GUARD |
| 21 | 13060037 | ELECTRIC MOTOR MOUNT BASE |
| 22 | P2513203P | 3" U-CLAMP PAINTED |

HYDRAULIC DRIVE KIT FOR 1814LP & TD (18000281)



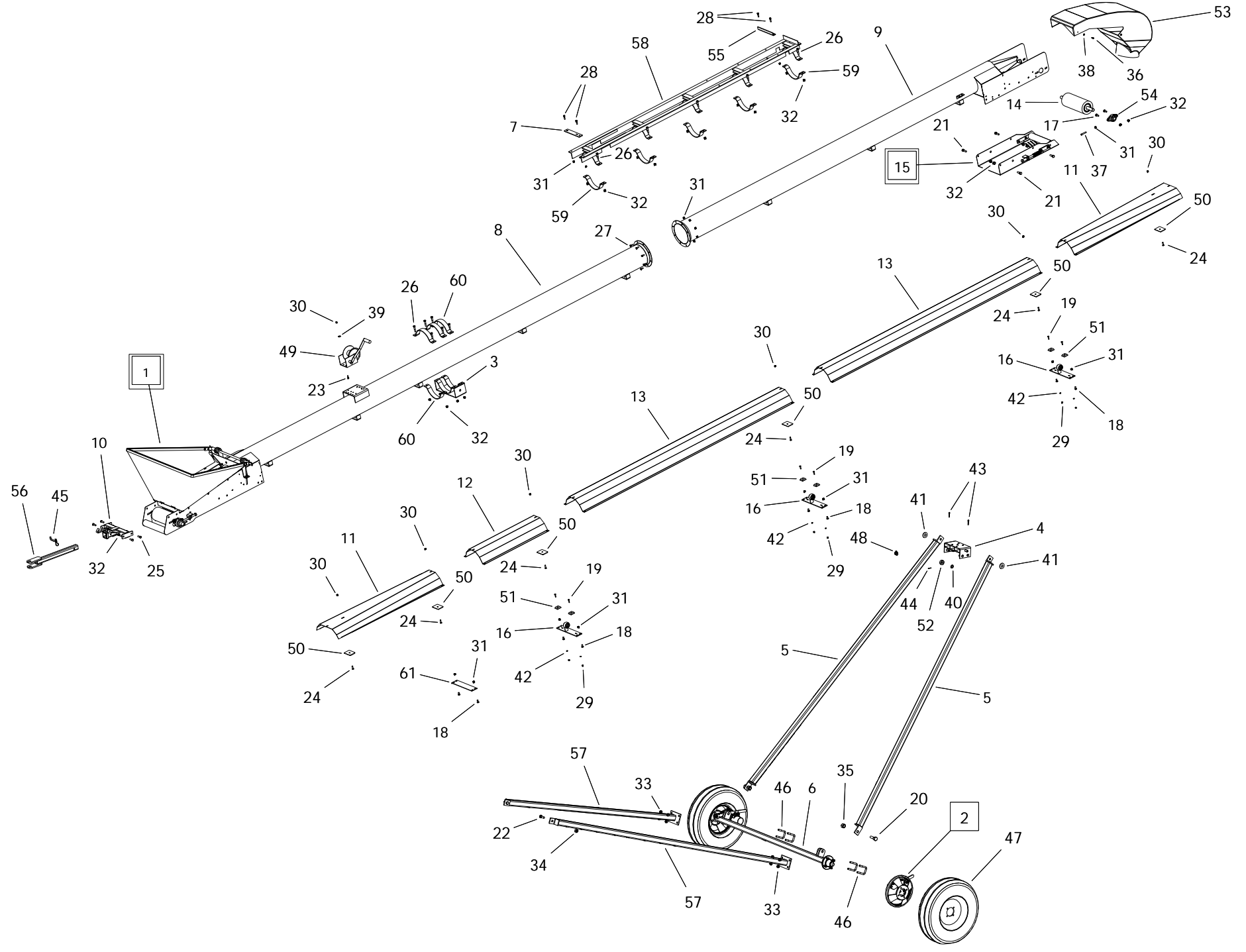
HYDRAULIC DRIVE KIT FOR 1814LP & TD (18000281)

| ITEM | PART NO. | DESCRIPTION |
|------|----------|-------------------------------------|
| 1 | 13041038 | SHAFT GUARD(FL-206) |
| 2 | 25060003 | 2000 SERIES PITSTOP MOUNT |
| 3 | P0118016 | BOLT 1/2" X 2" GR8 PLATED |
| 4 | P0134008 | LOCKNUT-NYLON-1/2" |
| 5 | P0134008 | LOCKNUT-NYLON-1/2" |
| 6 | P0141002 | TEK SCREW 1/4"X1" |
| 7 | P0151006 | FLAT WASHER 1/4"PLATED USS |
| 8 | P0311001 | ROLLER CHAIN FOR DRIVE(50-2RX14+CL) |
| 9 | P0335140 | SPROCKET 5014 1.0(KEY0.25) |
| 10 | P0335141 | SPROCKET 5014 1.25(KEY0.25) |
| 11 | P0391003 | KEY 1/4" X 1-1/2" LONG |
| 12 | P0821112 | SWIVEL-1/2" STRAIGHT |
| 13 | P0821114 | SWIVEL-10ORBx1/2"FS |
| 14 | P0821133 | HEX NIPPLE-1/2" |
| 15 | P0841019 | HYD MOTOR-6.2-2000-1" |
| 16 | P0861035 | CHECK VALVE-1/2" (NO HOLE) |
| 17 | P1210032 | FL-206 SHAFT GUARD PLUG |
| 18 | P1210100 | 1 1/4 HYDMTR GUARD 4.5 X 6.5 |



1540 TD-15504053

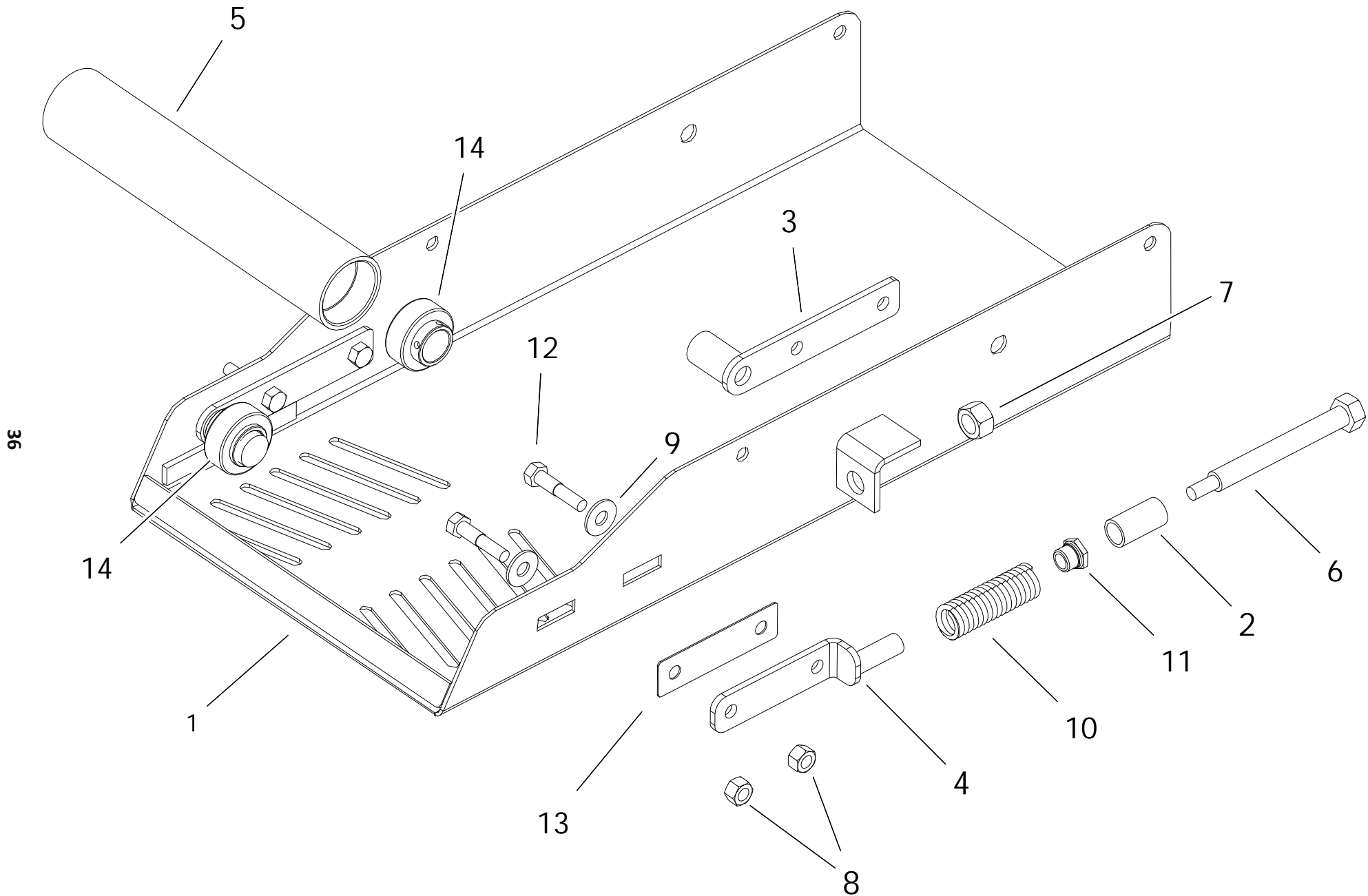
| ITEM | PART NO. | DESCRIPTION |
|------|-----------|-------------------------------------|
| 1 | 15000304P | HOPPER -COLLAPSABLE STD |
| 2 | 13000139 | MOVER WHEEL MOVE DRIVE SYS.2.5 AXLE |
| 3 | 13010008 | SUSPENSION BRACKET-NO TABS |
| 4 | 13030042 | 13/15 TRACK SLIDER |
| 5 | 13030024 | UPRIGHT ARM 35TD-1345 |
| 6 | 13030100 | AXLE 30-45-2-1/2" (WITH 8 LUGS) |
| 7 | 13032094 | 35/45 SMALL CABLE ATTACH |
| 8 | 15020044 | BT HOPPER 20' W/ BRKTS |
| 9 | 15020050 | SPOUT SECTION 15' W/ RTRN MOUNTS |
| 10 | 15030005 | BELT TIGHTNER HITCH |
| 11 | 15042102 | WEATHER GUARD 5' FLR - 61-1/2" |
| 12 | 15042104 | WEATHER GUARD 3' STD - 37-1/2" |
| 13 | 15042121 | WEATHER GUARD 10' - 121-1/2" |
| 14 | 15070013 | SPOUT DRIVE ROLLER-1-1/4" LAGGED |
| 15 | 15597000 | SPOUT PINCH RLLR KIT |
| 16 | 150100911 | WEATHER GUARD MOUNT BAR KIT-POLY |
| 17 | P0113001 | CARRIAGE BOLT 1/2"X2" PLATED |
| 18 | P0113013 | CARRIAGE BOLT 7/16"X1" PLATED |
| 19 | P0113020 | CARRIAGE BOLT 5/16"X1-1/2"PLATED |
| 20 | P0118004 | BOLT 1" X 3" GR8 PLATED |
| 21 | P0118012 | BOLT 1/2" X 1" GR8 PLATED |
| 22 | P0115111 | BOLT 3/4" X 2" GR8 PLATED |
| 23 | P0118046 | BOLT 3/8" X 1" GR8 PLATED |
| 24 | P0115303 | CAPSCREW 3/8X1-1/4FLT HD SOCKET PTD |
| 25 | P0118013 | BOLT 1/2"X1 1/2" GR.8 PLATED |
| 26 | P0118017 | BOLT 1/2"X2-1/2"GRADE 8 PLATED |
| 27 | P0118076 | BOLT 7/16"X1" GRADE 8 PLATED |
| 28 | P0118077 | BOLT 7/16"X1-1/2" GRADE 8 PLATED |
| 29 | P0131017 | NUT 5/16" PLATED GRADE 8 |
| 30 | P0134026 | LOCKNUT-NYLON-3/8" GRADE 8 |
| 31 | P0134007 | LOCKNUT-NYLON-7/16" |
| 32 | P0134008 | LOCKNUT-NYLON-1/2" |
| 33 | P01340101 | LOCKNUT-NYLON-5/8" GRADE 8 |
| 34 | P0134029 | LOCKNUT-NYLON-3/4" GRADE 8 |
| 35 | P0134030 | LOCKNUT-NYLON-1" GRADE 8 |
| 36 | P0141002 | TEK SCREW 1/4"X1" |
| 37 | P0145002 | SET SCREW-7/16"X2-1/2"SQ.HD. |
| 38 | P0151006 | FLAT WASHER 1/4"PLATED USS |
| 39 | P0151009 | FLAT WASHER 3/8"PLATED USS |
| 40 | P0151026 | FLAT WASHER 3/4"SAE |
| 41 | P0151031 | FLAT WASHER 1"PLATED USS |
| 42 | P0152010 | LOCK WASHER 5/16"PLATED |
| 43 | P0161001 | Cotter Pin 1/4 x 2 |
| 44 | P0161002 | COTTER PIN 5/32X1-1/2"PLATED |
| 45 | P0162001 | HITCH PIN 1/2" X 3" PLATED |
| 46 | P0183003 | U-BOLT 2-1/2" X 2-1/2" (5/8) PLATED |



1540 TD-15504053

| ITEM | PART NO. | DESCRIPTION |
|------|------------|----------------------------------|
| 47 | P0614301 | TIRE ASSEMBLY-15"X4.5"X4BOLT |
| 48 | P0712105 | CABLE CLAMP-5/16" GALV. |
| 49 | P0714102 | WINCH-1500# BRAKE |
| 50 | P1010001 | UNI-MOUNT PLATE CAST |
| 51 | P1210030 | BELT GUIDE BLOCK |
| 52 | P1211305 | ROLLER 2" NYLON |
| 53 | P1211501 | HOOD-ROUND 15 SERIES (KANBAN) |
| 54 | P1711002 | FLANGE UNIT-1-1/4"-SAFL206-20 |
| 55 | 13032125 | BOLT ON ANGLE |
| 56 | 13030001 | STRAIGHT TONGUE |
| 57 | 13030102 | AXLE ARM 30/35TD/45-2-1/2" |
| 58 | 13031019 | 55 TRACK |
| 59 | P2513202P | 2" U-CLAMP -PAINTED |
| 60 | P2513212P | 2" LOCKING U-CLAMP PAINTED |
| 61 | P11150181P | WG CROSS BAR (NO ROLLER)-PAINTED |
| 62 | P0711108 | CABLE-5/16" (44') (50740) |
| 63 | P1243001 | CABLE TIE 14" 120 LB |
| 64 | P2227989 | MANUAL HOLDER AND LID |
| 66 | 15570400 | 1540TD 80' 2" |

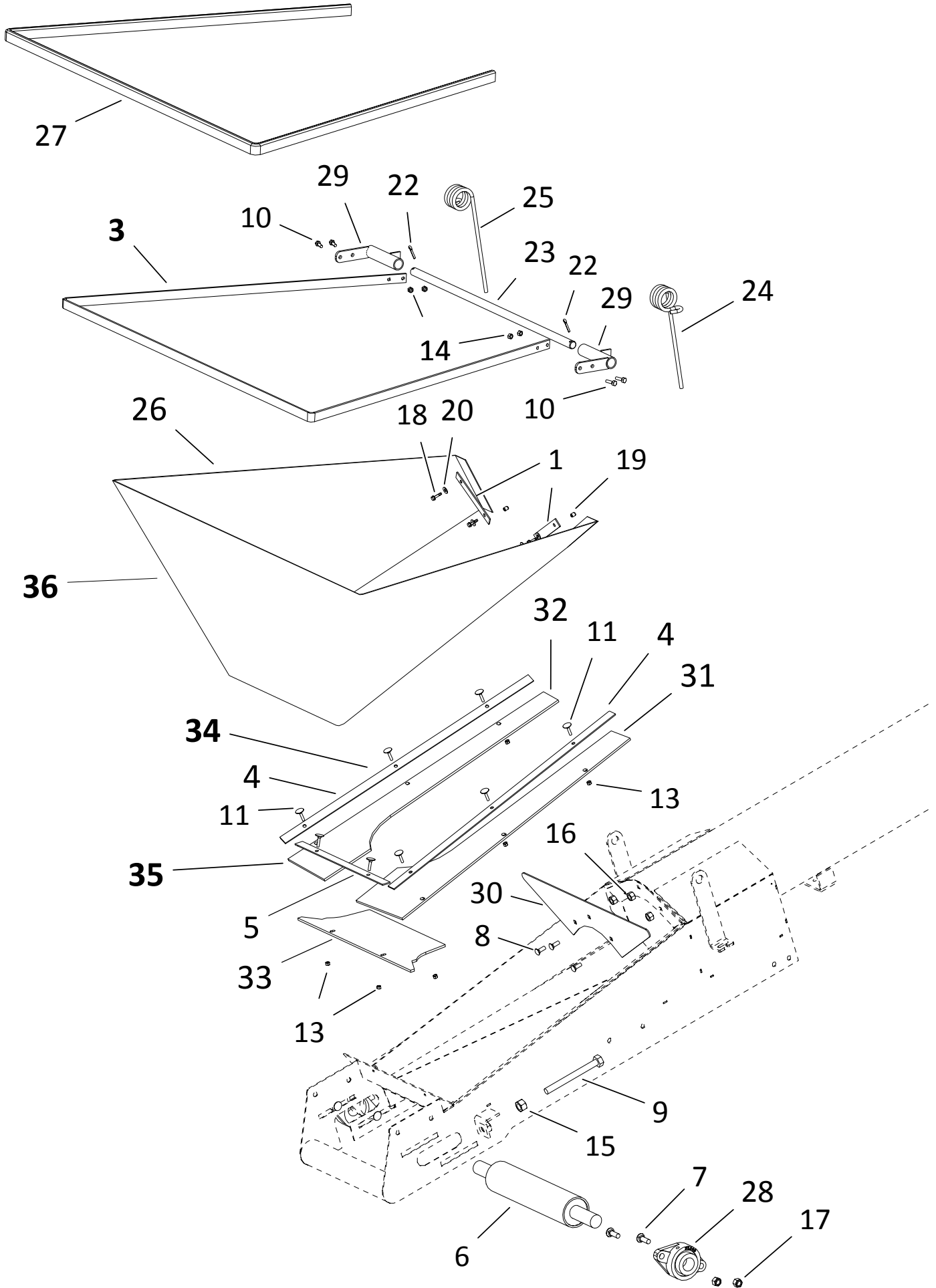
S-DRIVE (15597000)



S-DRIVE (15597000)

| ITEM | PART NO. | DESCRIPTION |
|------|-----------|---|
| 1 | 15061020 | TD PINCH MOUNT |
| 2 | 15062110 | TD PINCH PIPE |
| 3 | 15070026 | ROLLER MOUNT |
| 4 | 15070027 | PUSH BAR |
| 5 | 15072025 | SPOUT PINCH PIPE |
| 6 | P0113000 | SPRING TENSION BOLT |
| 7 | P0131019 | NUT 3/4" PLATED GRADE 8 |
| 8 | P0134008 | LOCKNUT-NYLON-1/2" |
| 9 | P0151025 | FLAT WASHER 1/2" PLATED USS |
| 10 | P0511008 | SPRING-LD-1300 SERIES |
| 11 | P0820129 | BUSHING BRASS FLANGED |
| 12 | P01180161 | BOLT 1/2" X 2-1/4" GR8 PLATED |
| 13 | P1211023 | TD PINCH SLIDER PLATE |
| 14 | P1742005 | BEARING-1-1/4" W/SET SCREWS-FLAT |
| 15 | P0351010 | MACHINERY BUSHING 7/8" MEDIUM (NOT SHOWN) |

HOPPER (15000304P)

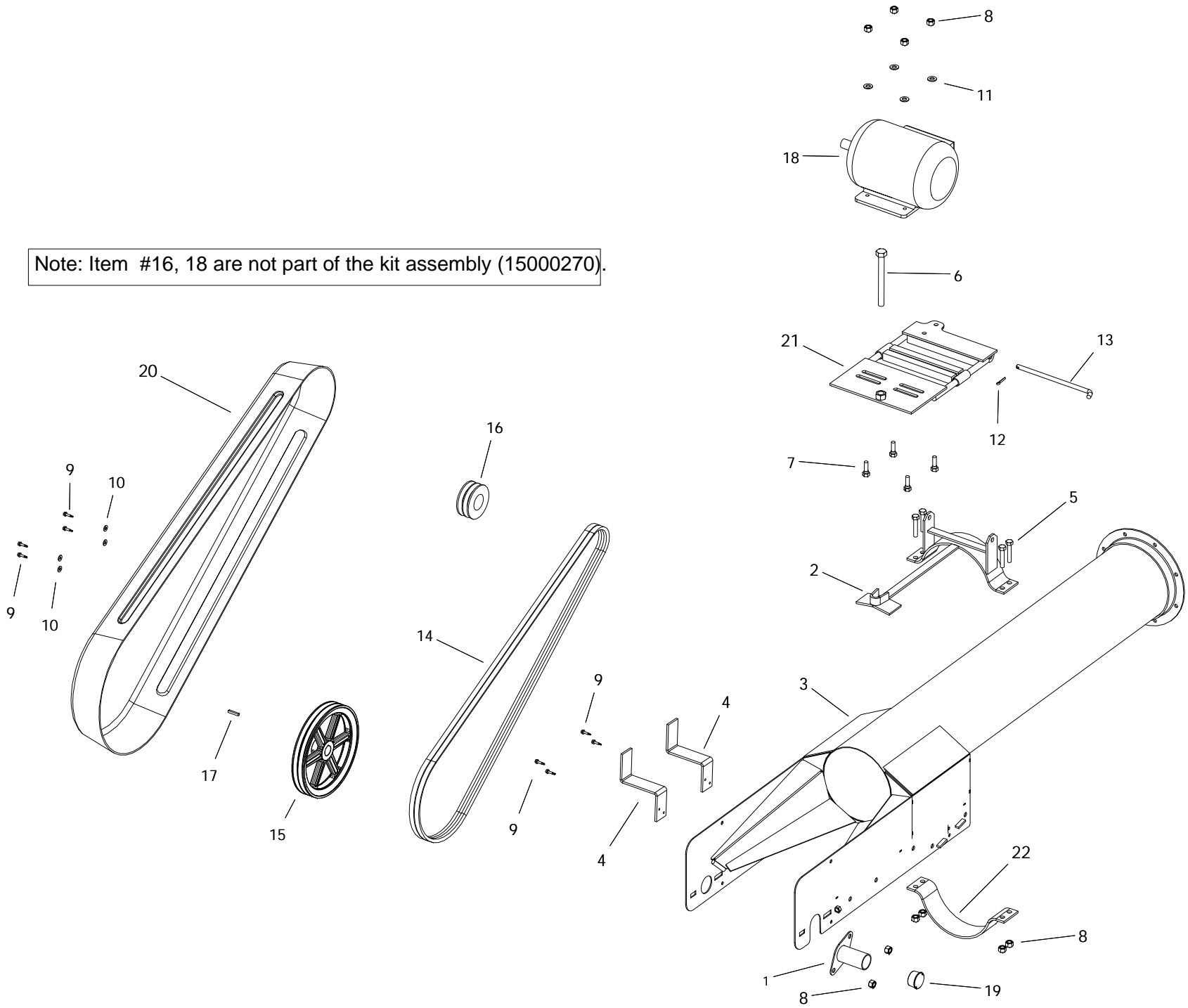


HOPPER (15000304P)

| ITEM | PART NO. | DESCRIPTION |
|------|-----------|---------------------------------|
| 1 | 13052001 | LOWER CLOTH FRAME STD BACK |
| 3 | 15052004 | UPPER CLOTH FRAME STD |
| 4 | 15052101 | LOWER CLOTH FRAME STD SIDE |
| 5 | 15052102 | LOWER CLOTH FRAME STD FRONT |
| 6 | 15070009 | HOPPER/SPOUT ROLLER LAGGED |
| 7 | P0113004 | CARRIAGE BOLT 1/2"X1-1/2"PLATED |
| 8 | P0113015 | CARRIAGE BOLT 3/8"X1" PLATED |
| 9 | P0114007 | TAP BOLT 3/4 X 7 PLATED |
| 10 | P0118061 | BOLT 5/16" X 1" GR8 PLATED |
| 11 | P0116001 | ELEVATOR BOLT 1/4"X1-1/4" |
| 13 | P0131016 | NUT 1/4" PLATED GRADE 8 |
| 14 | P0131017 | NUT 5/16" PLATED GRADE 8 |
| 15 | P0131019 | NUT 3/4" PLATED GRADE 8 |
| 16 | P0134026 | LOCKNUT-NYLON-3/8" GRADE 8 |
| 17 | P0134008 | LOCKNUT-NYLON-1/2" |
| 18 | P0141002 | TEK SCREW 1/4"X1" |
| 19 | P0145001 | VINYL SCREW CAP |
| 20 | P0151006 | FLAT WASHER 1/4"PLATED USS |
| 22 | P0161003 | COTTER PIN 3/16"X1-1/2"PLATED |
| 23 | P0162007 | HOPPER PIVOT SHAFT-13/15 |
| 24 | P0521001 | HOPPER SPRING-L |
| 25 | P0521002 | HOPPER SPRING-R |
| 26 | P1621007 | HOPPER CANVAS-15 CONV. |
| 27 | P1641015 | TRIM LOCK |
| 28 | P1711001 | FLANGE UNIT-1-1/2"-SAFL208-24 |
| 29 | P2515017 | PIVOT SHAFT BRACKET |
| 30 | P11150047 | HOPPER SHIELD |
| 31 | P19159000 | HOPPER LEFT FLASHING STD |
| 32 | P19159001 | HOPPER RIGHT FLASHING STD |
| 33 | P19159002 | HOPPER FRONT FLASHING STD |
| 34 | 15000314 | HOPPER -LINER KIT STD |
| 35 | 15000306P | HOPPER -FLASHING ONLY STD |
| 36 | 15000304P | HOPPER -COLLAPSABLE STD |

ELECTRIC DRIVE KIT (15000270)

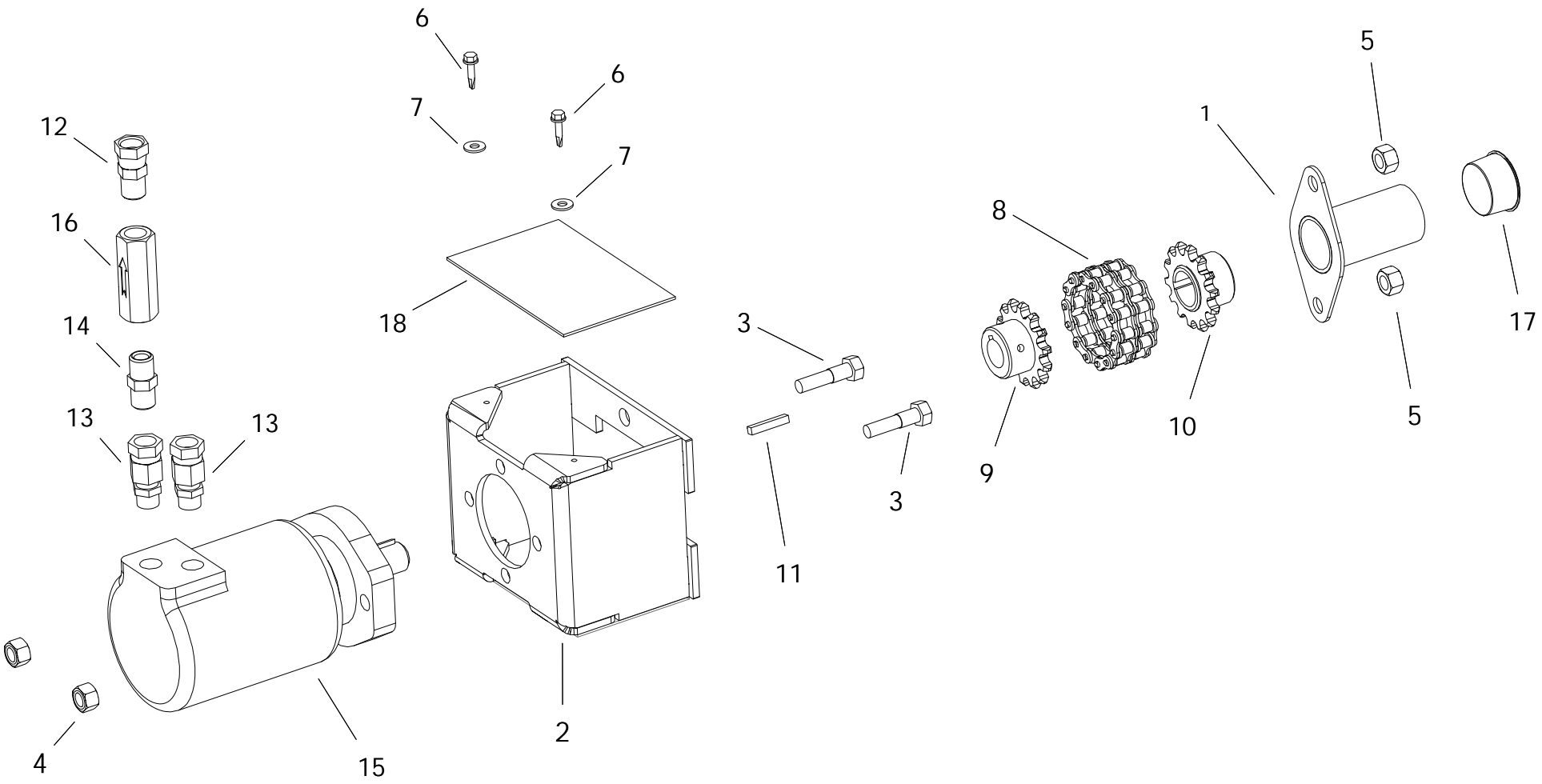
Note: Item #16, 18 are not part of the kit assembly (15000270).



ELECTRIC DRIVE KIT (15000270)

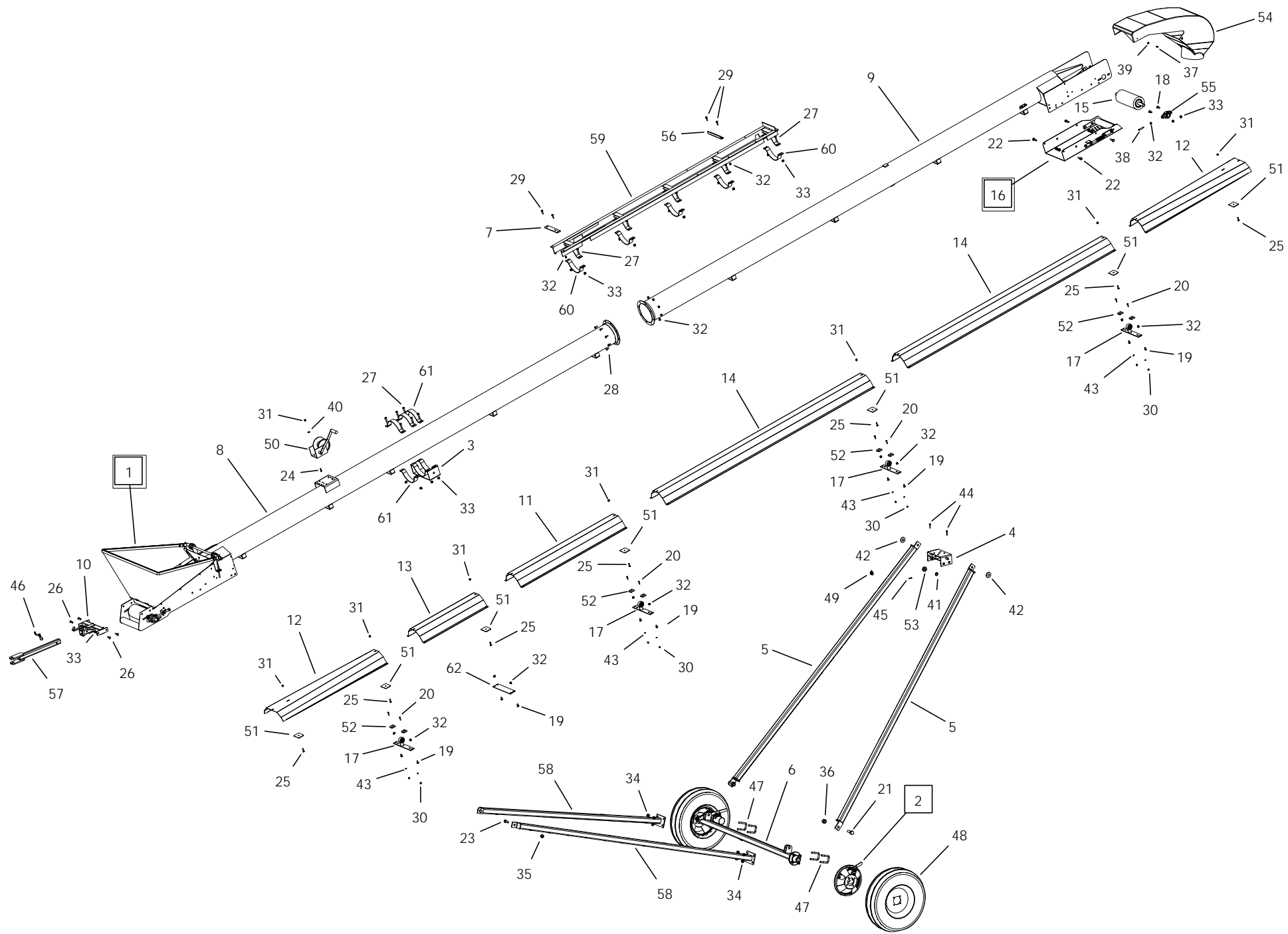
| ITEM | PART NO. | DESCRIPTION |
|------|-----------|----------------------------------|
| 1 | 13041038 | SHAFT GUARD(FL-206) |
| 2 | 13060004 | ELECTRIC MOTOR CLAMP |
| 3 | 15020006 | TRANSFER SPOUT 60" |
| 4 | 25013011 | PIT GUARD MOUNT |
| 5 | P0114005 | TAP BOLT 1/2 X 2-1/2 GR.8 PLATED |
| 6 | P0114007 | TAP BOLT 3/4 X 7 PLATED |
| 7 | P0118017 | BOLT 1/2"X2-1/2"GRADE 8 PLATED |
| 8 | P0134008 | LOCKNUT-NYLON-1/2" |
| 9 | P0141002 | TEK SCREW 1/4"X1" |
| 10 | P0151006 | FLAT WASHER 1/4"PLATED USS |
| 11 | P0151025 | FLAT WASHER 1/2" PLATED USS |
| 12 | P0161003 | COTTER PIN 3/16"X1-1/2"PLATED |
| 13 | P0162005 | PIN-ELECT.MTR.MNT-SHORT |
| 14 | P0321103 | BELT B103 |
| 15 | P0328007 | PULLEY-DBL-B-12" W/1-1/4"BORE |
| 16 | P0328018 | PULLEY-DBL-BK-4"H |
| 17 | P0391003 | KEY 1/4" X 1-1/2" LONG |
| 18 | P0931020 | MOTOR 5HP |
| 19 | P1210032 | FL-206 SHAFT GUARD PLUG |
| 20 | P1211803 | PIT GUARD |
| 21 | 13060037 | ELECTRIC MOTOR MOUNT BASE |
| 22 | P2513203P | 3" U-CLAMP PAINTED |

HYDRAULIC DRIVE KIT FOR 1814LP & TD (18000281)



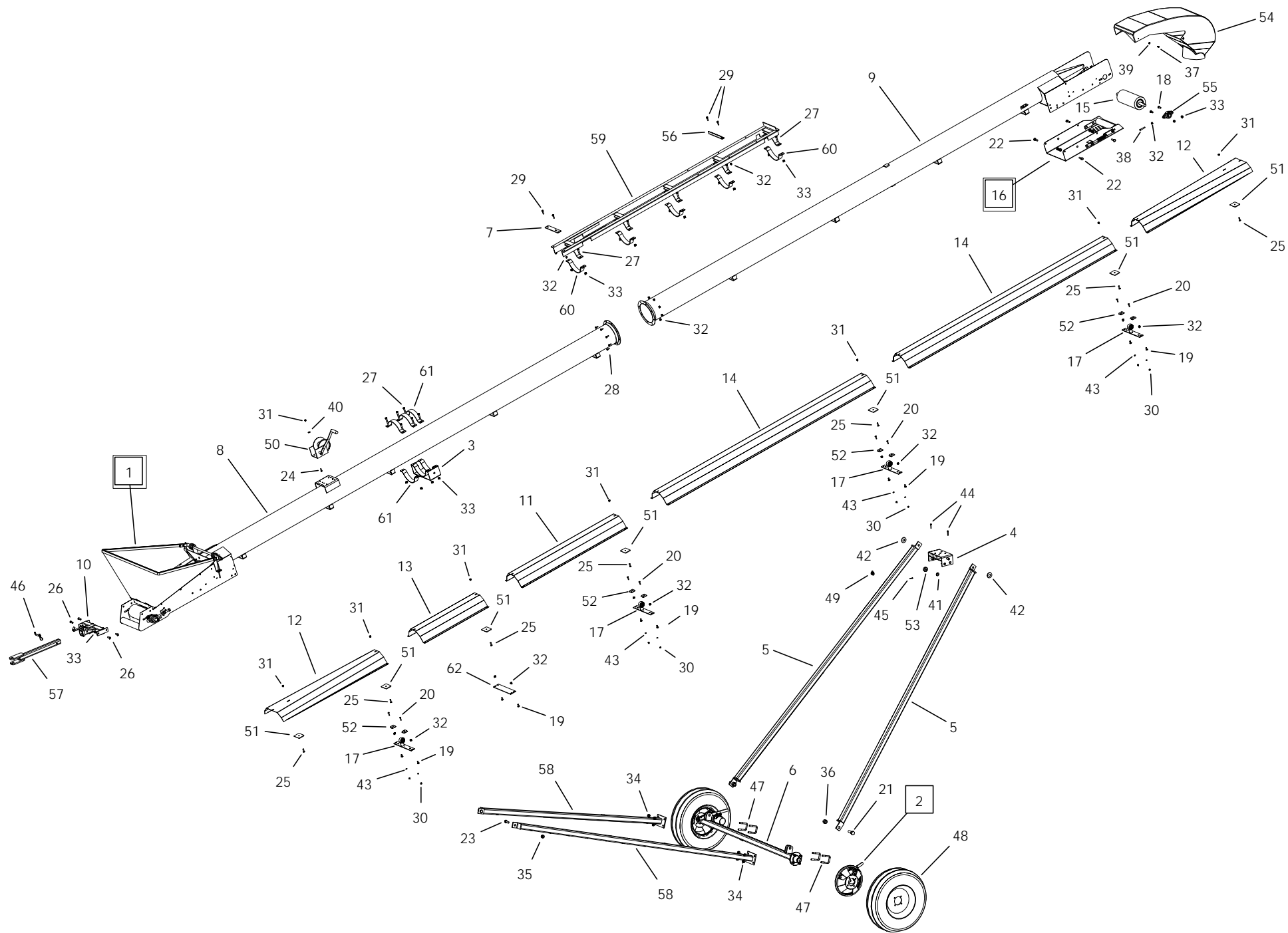
HYDRAULIC DRIVE KIT FOR 1814LP & TD (18000281)

| ITEM | PART NO. | DESCRIPTION |
|------|----------|-------------------------------------|
| 1 | 13041038 | SHAFT GUARD(FL-206) |
| 2 | 25060003 | 2000 SERIES PITSTOP MOUNT |
| 3 | P0118016 | BOLT 1/2" X 2" GR8 PLATED |
| 4 | P0134008 | LOCKNUT-NYLON-1/2" |
| 5 | P0134008 | LOCKNUT-NYLON-1/2" |
| 6 | P0141002 | TEK SCREW 1/4"X1" |
| 7 | P0151006 | FLAT WASHER 1/4"PLATED USS |
| 8 | P0311001 | ROLLER CHAIN FOR DRIVE(50-2RX14+CL) |
| 9 | P0335140 | SPROCKET 5014 1.0(KEY0.25) |
| 10 | P0335141 | SPROCKET 5014 1.25(KEY0.25) |
| 11 | P0391003 | KEY 1/4" X 1-1/2" LONG |
| 12 | P0821112 | SWIVEL-1/2" STRAIGHT |
| 13 | P0821114 | SWIVEL-10ORBX1/2"FS |
| 14 | P0821133 | HEX NIPPLE-1/2" |
| 15 | P0841019 | HYD MOTOR-6.2-2000-1" |
| 16 | P0861035 | CHECK VALVE-1/2" (NO HOLE) |
| 17 | P1210032 | FL-206 SHAFT GUARD PLUG |
| 18 | P1210100 | 1 1/4 HYDMTR GUARD 4.5 X 6.5 |



1545 TD-15504553

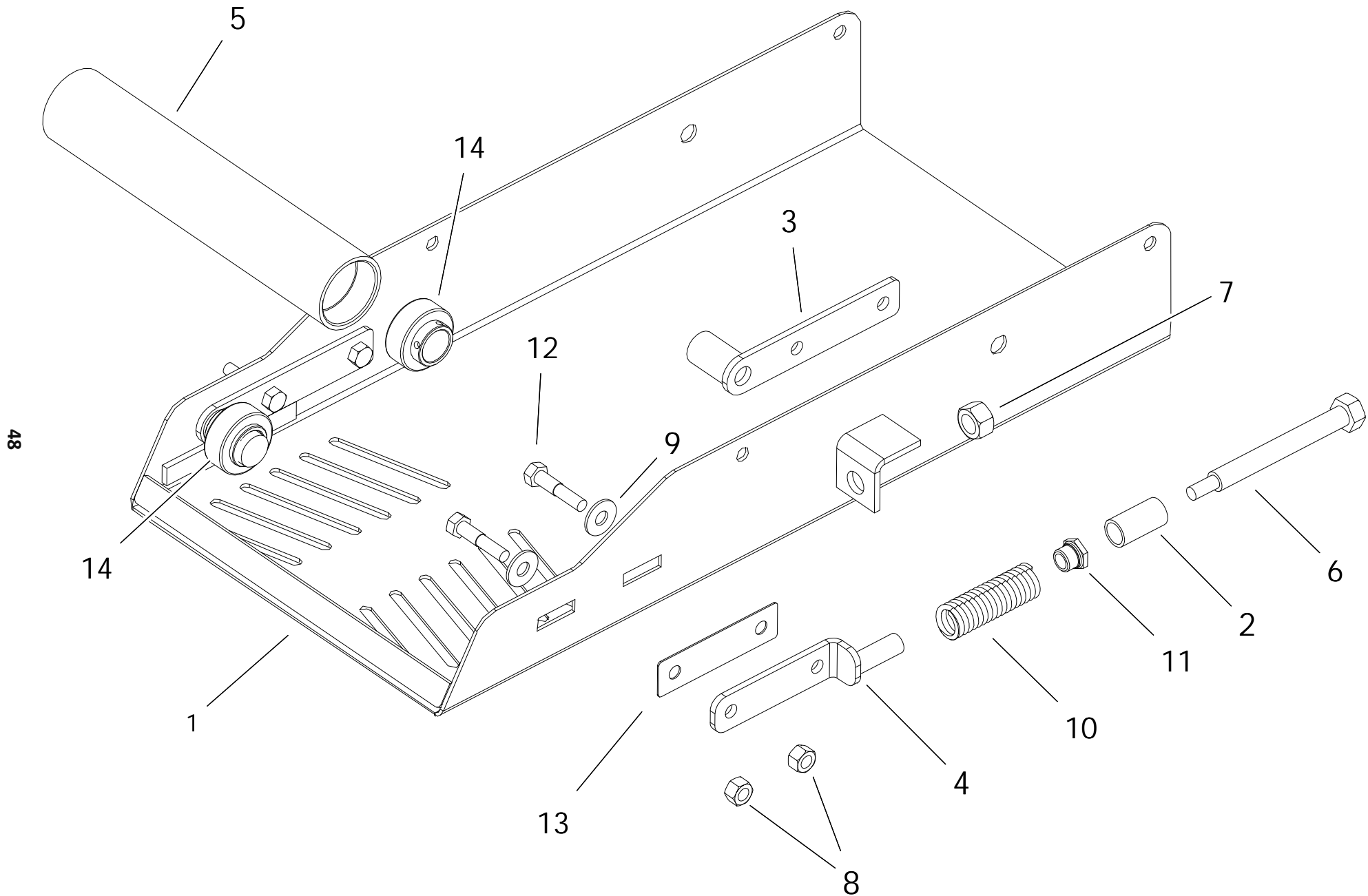
| ITEM | PART NO. | DESCRIPTION |
|------|-----------|-------------------------------------|
| 1 | 15000304P | HOPPER -COLLAPSABLE STD |
| 2 | 13000139 | MOVER WHEEL MOVE DRIVE SYS.2.5 AXLE |
| 3 | 13010008 | SUSPENSION BRACKET-NO TABS |
| 4 | 13030042 | 13/15 TRACK SLIDER |
| 5 | 13030024 | UPRIGHT ARM 35TD-1345 |
| 6 | 13030100 | AXLE 30-45-2-1/2" (WITH 8 LUGS) |
| 7 | 13032094 | 35/45 SMALL CABLE ATTACH |
| 8 | 15020044 | BT HOPPER 20' W/ BRKTS |
| 9 | 15020047 | SPOUT SECTION 20' W/RTRN MOUNTS |
| 10 | 15030005 | BELT TIGHTNER HITCH |
| 11 | 15042101 | WEATHER GUARD 5' - 61-1/2" |
| 12 | 15042102 | WEATHER GUARD 5' FLR - 61-1/2" |
| 13 | 15042104 | WEATHER GUARD 3' STD - 37-1/2" |
| 14 | 15042121 | WEATHER GUARD 10' - 121-1/2" |
| 15 | 15070013 | SPOUT DRIVE ROLLER-1-1/4" LAGGED |
| 16 | 15597000 | SPOUT PINCH RLLR KIT |
| 17 | 150100911 | WEATHER GUARD MOUNT BAR KIT-POLY |
| 18 | P0113001 | CARRIAGE BOLT 1/2"X2" PLATED |
| 19 | P0113013 | CARRIAGE BOLT 7/16"X1" PLATED |
| 20 | P0113020 | CARRIAGE BOLT 5/16"X1-1/2"PLATED |
| 21 | P0118004 | BOLT 1" X 3" GR8 PLATED |
| 22 | P0118012 | BOLT 1/2" X 1" GR8 PLATED |
| 23 | P0115111 | BOLT 3/4" X 2" GR8 PLATED |
| 24 | P0118046 | BOLT 3/8" X 1" GR8 PLATED |
| 25 | P0115303 | CAPSCREW 3/8X1-1/4FLT HD SOCKET PTD |
| 26 | P0118013 | BOLT 1/2"X1 1/2" GR.8 PLATED |
| 27 | P0118017 | BOLT 1/2"X2-1/2"GRADE 8 PLATED |
| 28 | P0118076 | BOLT 7/16"X1" GRADE 8 PLATED |
| 29 | P0118077 | BOLT 7/16"X1-1/2" GRADE 8 PLATED |
| 30 | P0131017 | NUT 5/16" PLATED GRADE 8 |
| 31 | P0134026 | LOCKNUT-NYLON-3/8" GRADE 8 |
| 32 | P0134007 | LOCKNUT-NYLON-7/16" |
| 33 | P0134008 | LOCKNUT-NYLON-1/2" |
| 34 | P01340101 | LOCKNUT-NYLON-5/8" GRADE 8 |
| 35 | P0134029 | LOCKNUT-NYLON-3/4" GRADE 8 |
| 36 | P0134030 | LOCKNUT-NYLON-1" GRADE 8 |
| 37 | P0141002 | TEK SCREW 1/4"X1" |
| 38 | P0145002 | SET SCREW-7/16"X2-1/2"SQ.HD. |
| 39 | P0151006 | FLAT WASHER 1/4"PLATED USS |
| 40 | P0151009 | FLAT WASHER 3/8"PLATED USS |
| 41 | P0151026 | FLAT WASHER 3/4"SAE |
| 42 | P0151031 | FLAT WASHER 1"PLATED USS |
| 43 | P0152010 | LOCK WASHER 5/16"PLATED |
| 44 | P0161001 | Cotter Pin 1/4 x 2 |
| 45 | P0161002 | COTTER PIN 5/32X1-1/2"PLATED |
| 46 | P0162001 | HITCH PIN 1/2" X 3" PLATED |



1545 TD-15504553

| ITEM | PART NO. | DESCRIPTION |
|------|------------|-------------------------------------|
| 47 | P0183003 | U-BOLT 2-1/2" X 2-1/2" (5/8) PLATED |
| 48 | P0614301 | TIRE ASSEMBLY-15"X4.5"X4BOLT |
| 49 | P0712105 | CABLE CLAMP-5/16" GALV. |
| 50 | P0714102 | WINCH-1500# BRAKE |
| 51 | P1010001 | UNI-MOUNT PLATE CAST |
| 52 | P1210030 | BELT GUIDE BLOCK |
| 53 | P1211305 | ROLLER 2" NYLON |
| 54 | P1211501 | HOOD-ROUND 15 SERIES (KANBAN) |
| 55 | P1711002 | FLANGE UNIT-1-1/4"-SAFL206-20 |
| 56 | 13032125 | BOLT ON ANGLE |
| 57 | 13030001 | STRAIGHT TONGUE |
| 58 | 13030102 | AXLE ARM 30/35TD/45-2-1/2" |
| 59 | 13031019 | 55 TRACK |
| 60 | P2513202P | 2" U-CLAMP -PAINTED |
| 61 | P2513212P | 2" LOCKING U-CLAMP PAINTED |
| 62 | P11150181P | WG CROSS BAR (NO ROLLER)-PAINTED |
| 63 | P0711108 | CABLE-5/16" (44') (50740) |
| 64 | 15570450 | 1545TD 90' 2" |
| 65 | P1243001 | CABLE TIE 14" 120 LB |
| 66 | P2227989 | MANUAL HOLDER AND LID |

S-DRIVE (15597000)

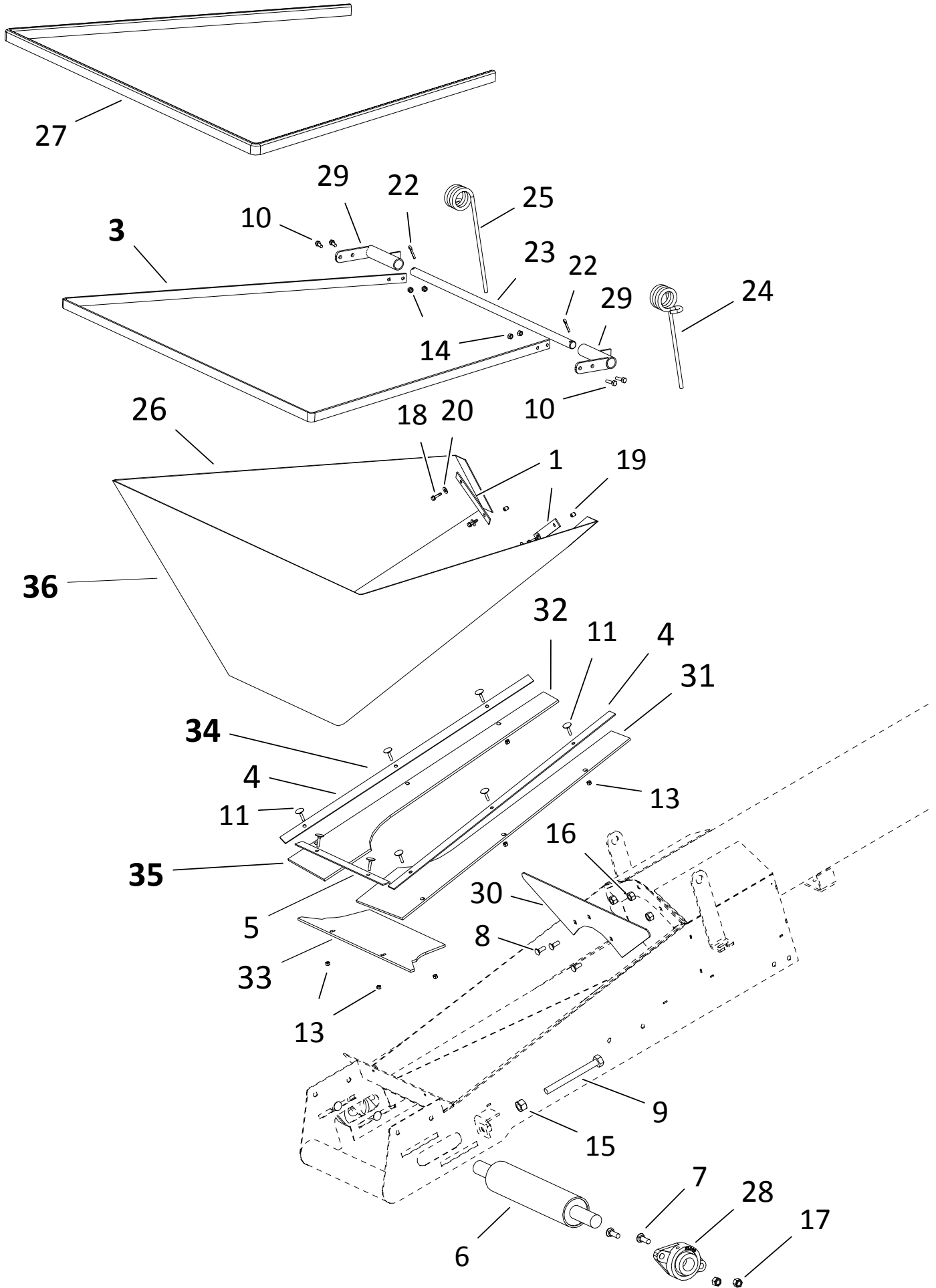


48

S-DRIVE (15597000)

| ITEM | PART NO. | DESCRIPTION |
|------|-----------|---|
| 1 | 15061020 | TD PINCH MOUNT |
| 2 | 15062110 | TD PINCH PIPE |
| 3 | 15070026 | ROLLER MOUNT |
| 4 | 15070027 | PUSH BAR |
| 5 | 15072025 | SPOUT PINCH PIPE |
| 6 | P0113000 | SPRING TENSION BOLT |
| 7 | P0131019 | NUT 3/4" PLATED GRADE 8 |
| 8 | P0134008 | LOCKNUT-NYLON-1/2" |
| 9 | P0151025 | FLAT WASHER 1/2" PLATED USS |
| 10 | P0511008 | SPRING-LD-1300 SERIES |
| 11 | P0820129 | BUSHING BRASS FLANGED |
| 12 | P01180161 | BOLT 1/2" X 2-1/4" GR8 PLATED |
| 13 | P1211023 | TD PINCH SLIDER PLATE |
| 14 | P1742005 | BEARING-1-1/4" W/SET SCREWS-FLAT |
| 15 | P0351010 | MACHINERY BUSHING 7/8" MEDIUM (NOT SHOWN) |

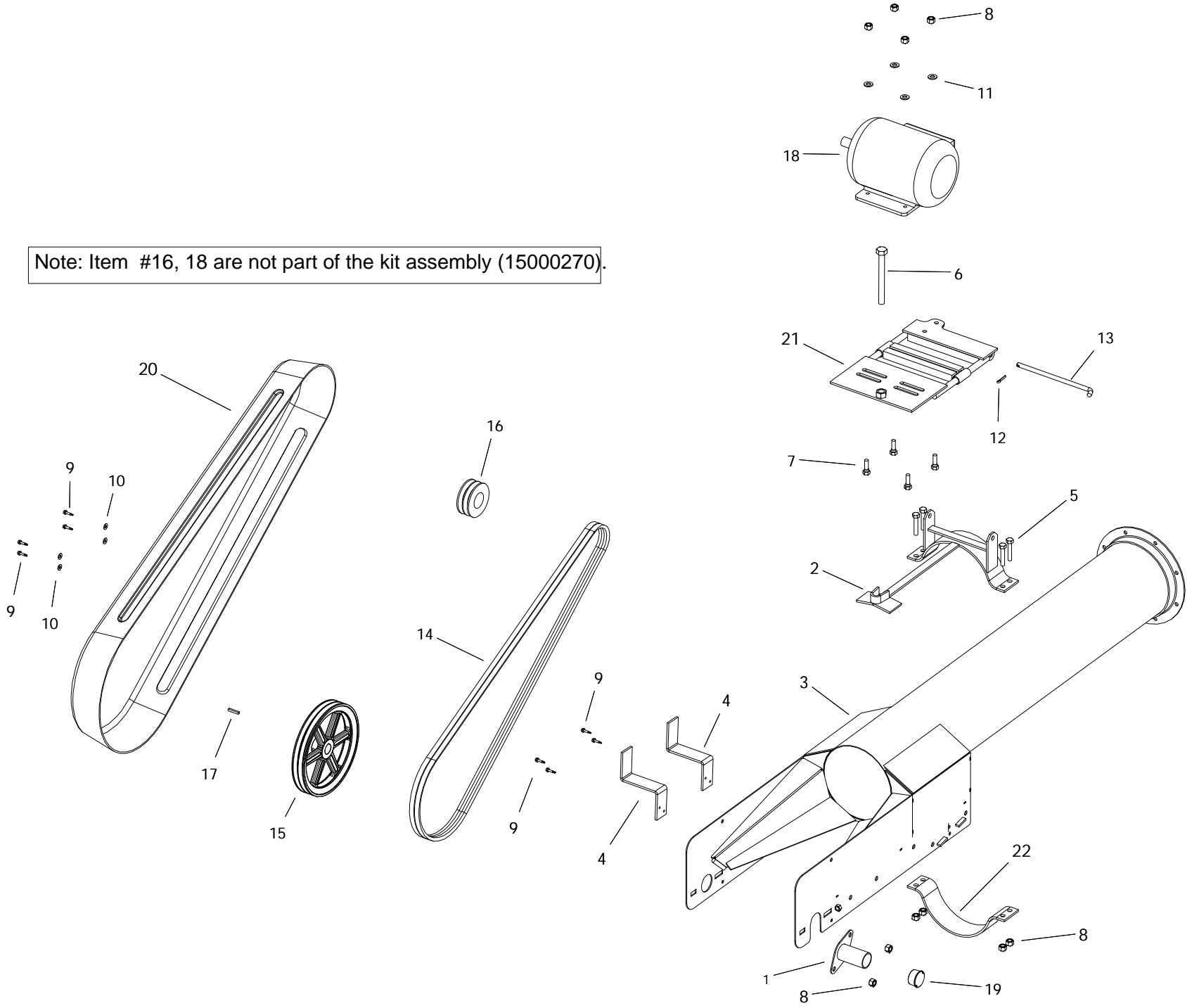
HOPPER (15000304P)



HOPPER (15000304P)

| ITEM | PART NO. | DESCRIPTION |
|------|-----------|---------------------------------|
| 1 | 13052001 | LOWER CLOTH FRAME STD BACK |
| 3 | 15052004 | UPPER CLOTH FRAME STD |
| 4 | 15052101 | LOWER CLOTH FRAME STD SIDE |
| 5 | 15052102 | LOWER CLOTH FRAME STD FRONT |
| 6 | 15070009 | HOPPER/SPOUT ROLLER LAGGED |
| 7 | P0113004 | CARRIAGE BOLT 1/2"X1-1/2"PLATED |
| 8 | P0113015 | CARRIAGE BOLT 3/8"X1" PLATED |
| 9 | P0114007 | TAP BOLT 3/4 X 7 PLATED |
| 10 | P0118061 | BOLT 5/16" X 1" GR8 PLATED |
| 11 | P0116001 | ELEVATOR BOLT 1/4"X1-1/4" |
| 13 | P0131016 | NUT 1/4" PLATED GRADE 8 |
| 14 | P0131017 | NUT 5/16" PLATED GRADE 8 |
| 15 | P0131019 | NUT 3/4" PLATED GRADE 8 |
| 16 | P0134026 | LOCKNUT-NYLON-3/8" GRADE 8 |
| 17 | P0134008 | LOCKNUT-NYLON-1/2" |
| 18 | P0141002 | TEK SCREW 1/4"X1" |
| 19 | P0145001 | VINYL SCREW CAP |
| 20 | P0151006 | FLAT WASHER 1/4"PLATED USS |
| 22 | P0161003 | COTTER PIN 3/16"X1-1/2"PLATED |
| 23 | P0162007 | HOPPER PIVOT SHAFT-13/15 |
| 24 | P0521001 | HOPPER SPRING-L |
| 25 | P0521002 | HOPPER SPRING-R |
| 26 | P1621007 | HOPPER CANVAS-15 CONV. |
| 27 | P1641015 | TRIM LOCK |
| 28 | P1711001 | FLANGE UNIT-1-1/2"-SAFL208-24 |
| 29 | P2515017 | PIVOT SHAFT BRACKET |
| 30 | P11150047 | HOPPER SHIELD |
| 31 | P19159000 | HOPPER LEFT FLASHING STD |
| 32 | P19159001 | HOPPER RIGHT FLASHING STD |
| 33 | P19159002 | HOPPER FRONT FLASHING STD |
| 34 | 15000314 | HOPPER -LINER KIT STD |
| 35 | 15000306P | HOPPER -FLASHING ONLY STD |
| 36 | 15000304P | HOPPER -COLLAPSABLE STD |

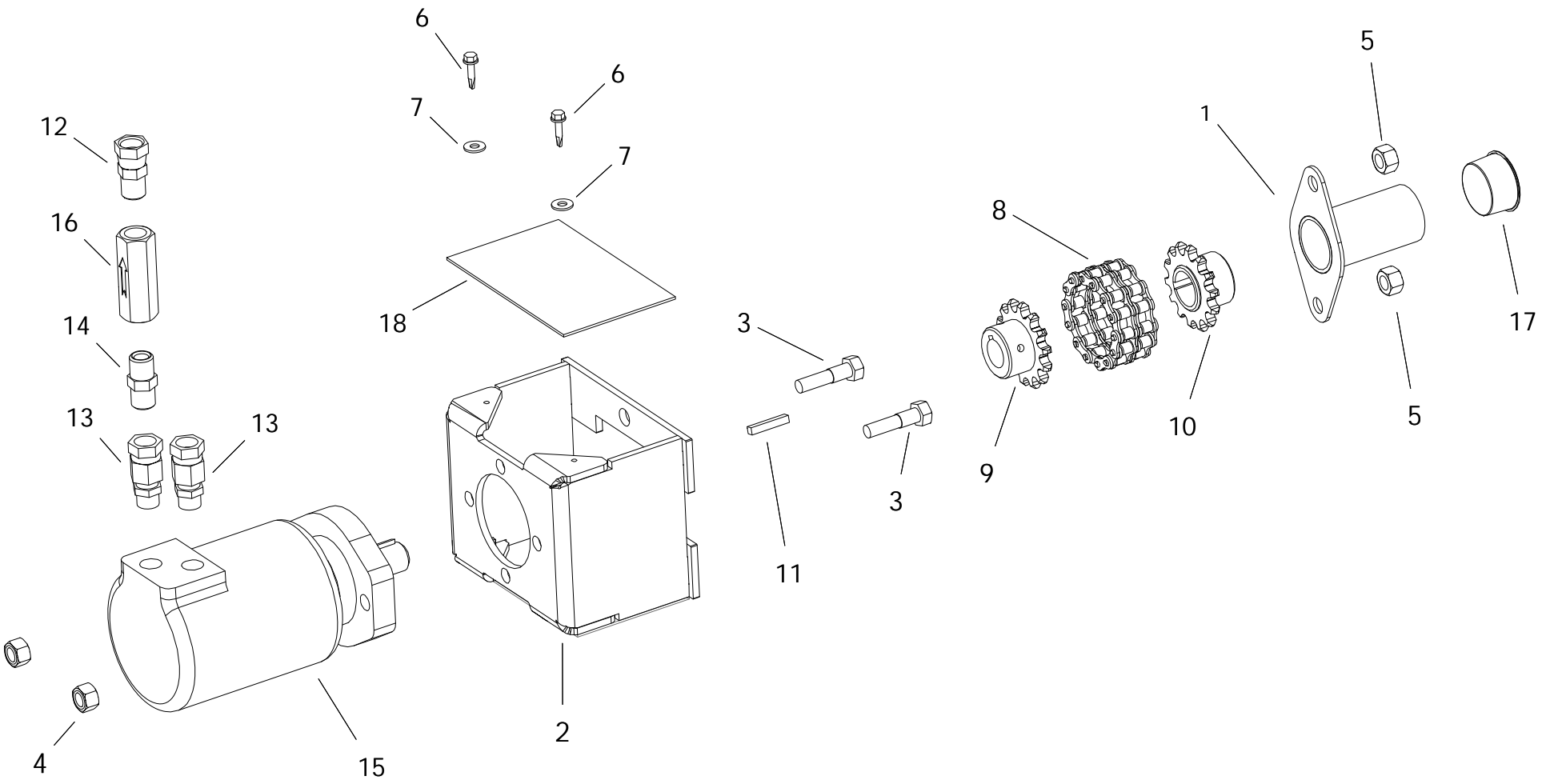
Note: Item #16, 18 are not part of the kit assembly (15000270).



ELECTRIC DRIVE KIT (15000270)

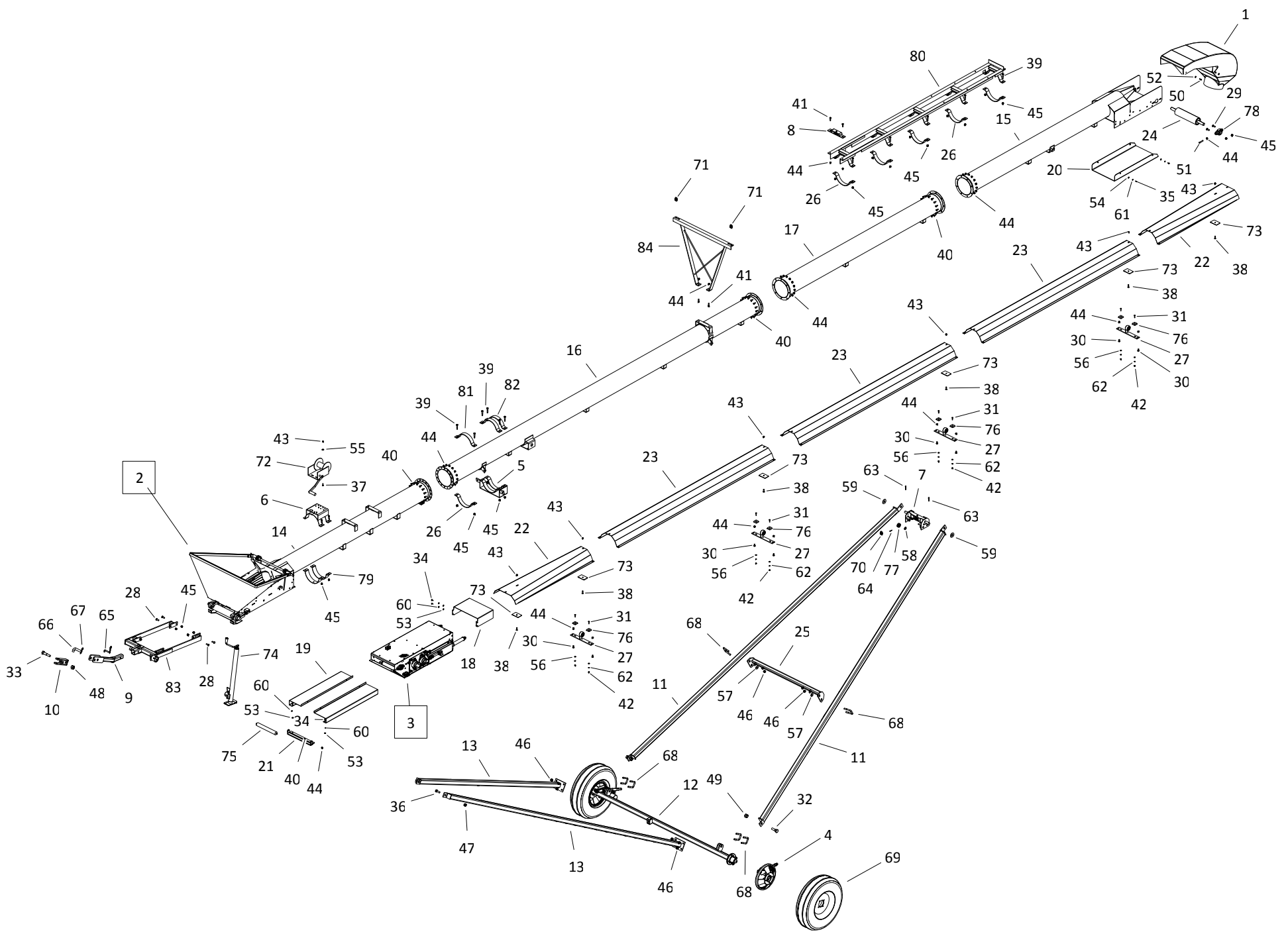
| ITEM | PART NO. | DESCRIPTION |
|------|-----------|----------------------------------|
| 1 | 13041038 | SHAFT GUARD(FL-206) |
| 2 | 13060004 | ELECTRIC MOTOR CLAMP |
| 3 | 15020006 | TRANSFER SPOUT 60" |
| 4 | 25013011 | PIT GUARD MOUNT |
| 5 | P0114005 | TAP BOLT 1/2 X 2-1/2 GR.8 PLATED |
| 6 | P0114007 | TAP BOLT 3/4 X 7 PLATED |
| 7 | P0118017 | BOLT 1/2"X2-1/2"GRADE 8 PLATED |
| 8 | P0134008 | LOCKNUT-NYLON-1/2" |
| 9 | P0141002 | TEK SCREW 1/4"X1" |
| 10 | P0151006 | FLAT WASHER 1/4"PLATED USS |
| 11 | P0151025 | FLAT WASHER 1/2" PLATED USS |
| 12 | P0161003 | COTTER PIN 3/16"X1-1/2"PLATED |
| 13 | P0162005 | PIN-ELECT.MTR.MNT-SHORT |
| 14 | P0321103 | BELT B103 |
| 15 | P0328007 | PULLEY-DBL-B-12" W/1-1/4"BORE |
| 16 | P0328018 | PULLEY-DBL-BK-4"H |
| 17 | P0391003 | KEY 1/4" X 1-1/2" LONG |
| 18 | P0931020 | MOTOR 5HP |
| 19 | P1210032 | FL-206 SHAFT GUARD PLUG |
| 20 | P1211803 | PIT GUARD |
| 21 | 13060037 | ELECTRIC MOTOR MOUNT BASE |
| 22 | P2513203P | 3" U-CLAMP PAINTED |

HYDRAULIC DRIVE KIT FOR 1814LP & TD (18000281)



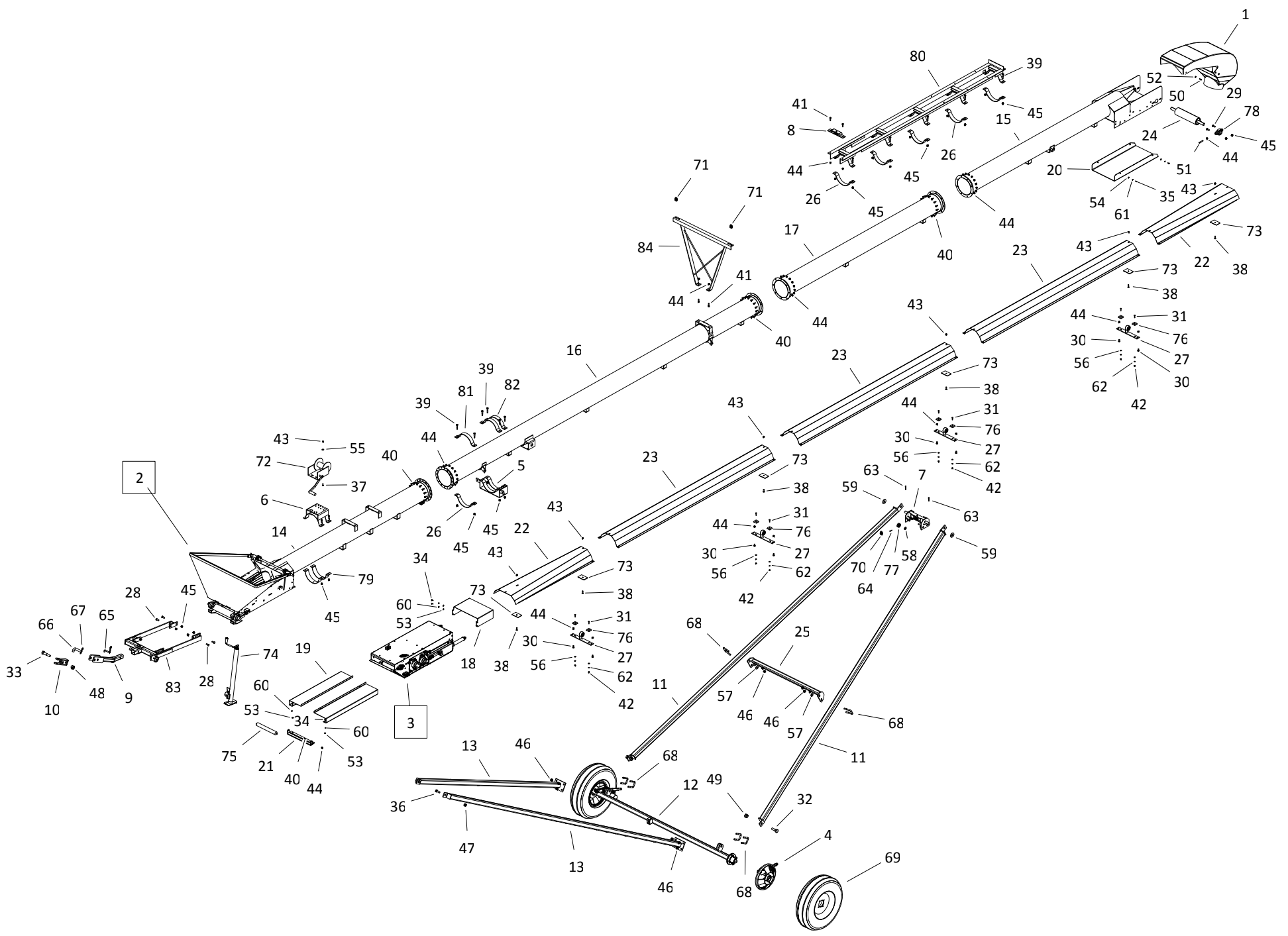
HYDRAULIC DRIVE KIT FOR 1814LP & TD (18000281)

| ITEM | PART NO. | DESCRIPTION |
|------|----------|-------------------------------------|
| 1 | 13041038 | SHAFT GUARD(FL-206) |
| 2 | 25060003 | 2000 SERIES PITSTOP MOUNT |
| 3 | P0118016 | BOLT 1/2" X 2" GR8 PLATED |
| 4 | P0134008 | LOCKNUT-NYLON-1/2" |
| 5 | P0134008 | LOCKNUT-NYLON-1/2" |
| 6 | P0141002 | TEK SCREW 1/4"X1" |
| 7 | P0151006 | FLAT WASHER 1/4"PLATED USS |
| 8 | P0311001 | ROLLER CHAIN FOR DRIVE(50-2RX14+CL) |
| 9 | P0335140 | SPROCKET 5014 1.0(KEY0.25) |
| 10 | P0335141 | SPROCKET 5014 1.25(KEY0.25) |
| 11 | P0391003 | KEY 1/4" X 1-1/2" LONG |
| 12 | P0821112 | SWIVEL-1/2" STRAIGHT |
| 13 | P0821114 | SWIVEL-10ORBx1/2"FS |
| 14 | P0821133 | HEX NIPPLE-1/2" |
| 15 | P0841019 | HYD MOTOR-6.2-2000-1" |
| 16 | P0861035 | CHECK VALVE-1/2" (NO HOLE) |
| 17 | P1210032 | FL-206 SHAFT GUARD PLUG |
| 18 | P1210100 | 1 1/4 HYDMTR GUARD 4.5 X 6.5 |



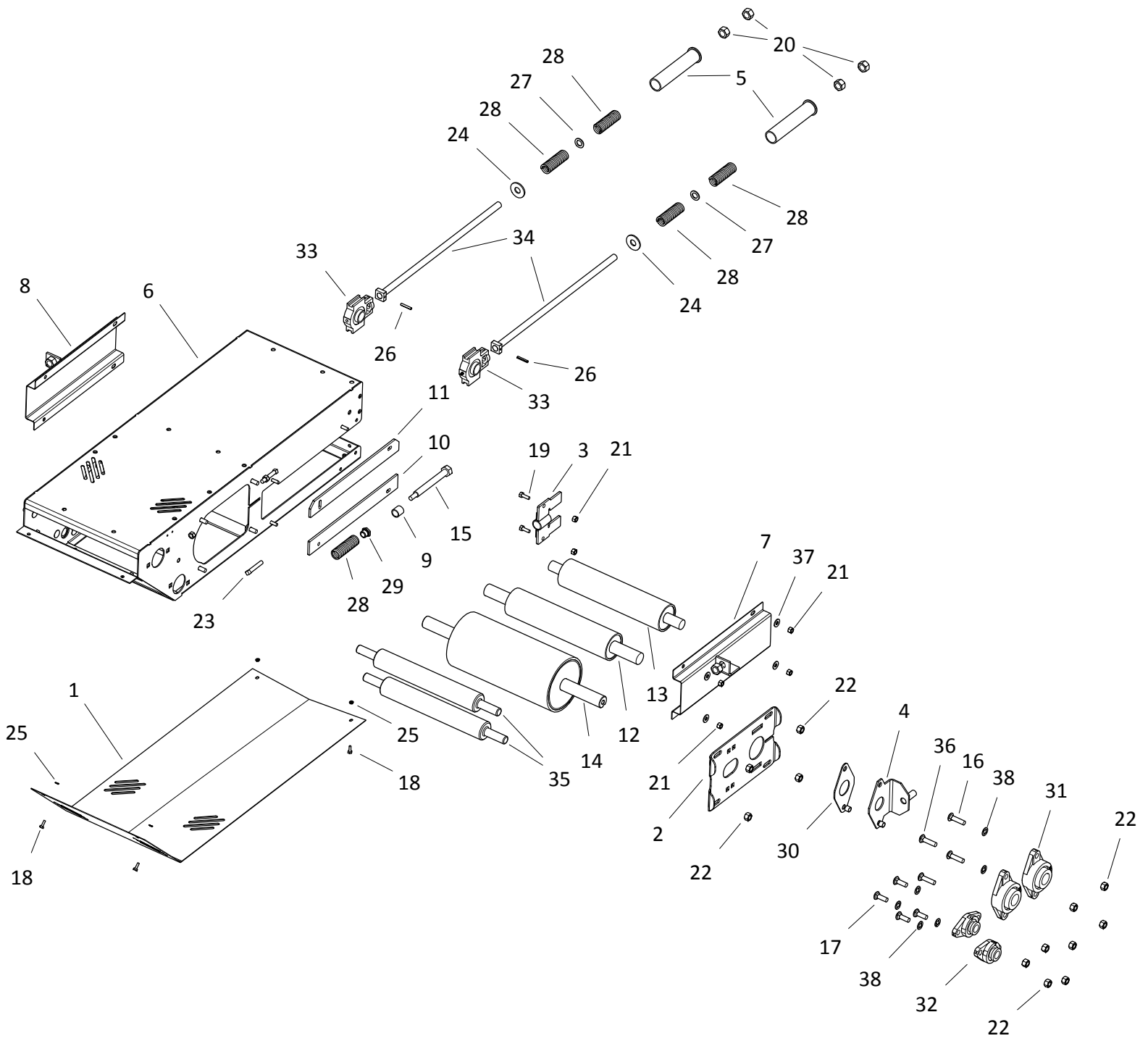
1555 SD-15505511

| ITEM | PART NO. | DESCRIPTION |
|------|-----------|-------------------------------------|
| 1 | P1211501 | HOOD-ROUND 15 SERIES (KANBAN) |
| 2 | 15000304P | HOPPER -COLLAPSABLE STD |
| 3 | 15590020 | S-DRIVE ASM W/PINCH |
| 4 | 13000139 | MOVER WHEEL MOVE DRIVE SYS.2.5 AXLE |
| 5 | 13010005 | SUSPENSION BRACKET W/TABS |
| 6 | 13011013 | WINCH MOUNT HD |
| 7 | 13030005 | 55 FRAME SLIDER |
| 8 | 13030007 | 55 LARGE CABLE ATTACHMENT |
| 9 | 13030016 | Tongue |
| 10 | 13030017 | CLEVIS |
| 11 | 13030026 | 1355 Upright Arms |
| 12 | 13030103 | 1355 Axle (4 bolt) |
| 13 | 13030104 | AXLE ARM 55'-NEW |
| 14 | 15020040 | BT HOPPER SECTION 10' WITH SD BKTS |
| 15 | 15020045 | SPOUT SECTION 10' W/CABLE RTRN BKT |
| 16 | 15020051 | BOTTOM TUBE WITH ANCHORS |
| 17 | 15020054 | UPPER CENTER TUBE 10' |
| 18 | 15040040 | PINCH DRIVE FRONT GUARD |
| 19 | 15042040 | SD-HOPPER BELT GUARD |
| 20 | 15042093 | SPOUT BOTTOM COVER |
| 21 | 15042094 | HOPPER GUARD BRACKET |
| 22 | 15042102 | WEATHER GUARD 5' FLR - 61-1/2" |
| 23 | 15042121 | WEATHER GUARD 10' - 121-1/2" |
| 24 | 15070009 | HOPPER/SPOUT ROLLER LAGGED |
| 25 | 20030350 | 15/20 FRAME CROSS BRACE |
| 26 | 130120021 | 2" LOCKING U-CLAMP |
| 27 | 150100911 | WEATHER GUARD MOUNT BAR KIT-POLY |
| 28 | P0113004 | CARRIAGE BOLT 1/2"X1-1/2"PLATED |
| 29 | P0113004 | CARRIAGE BOLT 1/2"X1-1/2"PLATED |
| 30 | P0113013 | CARRIAGE BOLT 7/16"X1" PLATED |
| 31 | P0113020 | CARRIAGE BOLT 5/16"X1-1/2"PLATED |
| 32 | P0118004 | BOLT 1" X 3" GR8 PLATED |
| 33 | 0118007 | BOLT 1" X 4-1/2" GR8 PLATED |
| 34 | P0118033 | BOLT 1/4" X 3/4" GR8 PLATED |
| 35 | P0118033 | BOLT 1/4" X 3/4" GR8 PLATED |
| 36 | P0115111 | BOLT 3/4" X 2" GR8 PLATED |
| 37 | P0118046 | BOLT 3/8" X 1" GR8 PLATED |
| 38 | P0115303 | CAPSCREW 3/8X1-1/4FLT HD SOCKET PTD |
| 39 | P0118017 | BOLT 1/2"X2-1/2"GRADE 8 PLATED |
| 40 | P0118076 | BOLT 7/16"X1" GRADE 8 PLATED |
| 41 | P0118077 | BOLT 7/16"X1-1/2" GRADE 8 PLATED |
| 42 | P0131017 | NUT 5/16" PLATED GRADE 8 |
| 43 | P0134026 | LOCKNUT-NYLON-3/8" GRADE 8 |
| 44 | P0134007 | LOCKNUT-NYLON-7/16" |
| 45 | P0134008 | LOCKNUT-NYLON-1/2" |
| 46 | P01340101 | LOCKNUT-NYLON-5/8" GRADE 8 |



1555 SD-15505511

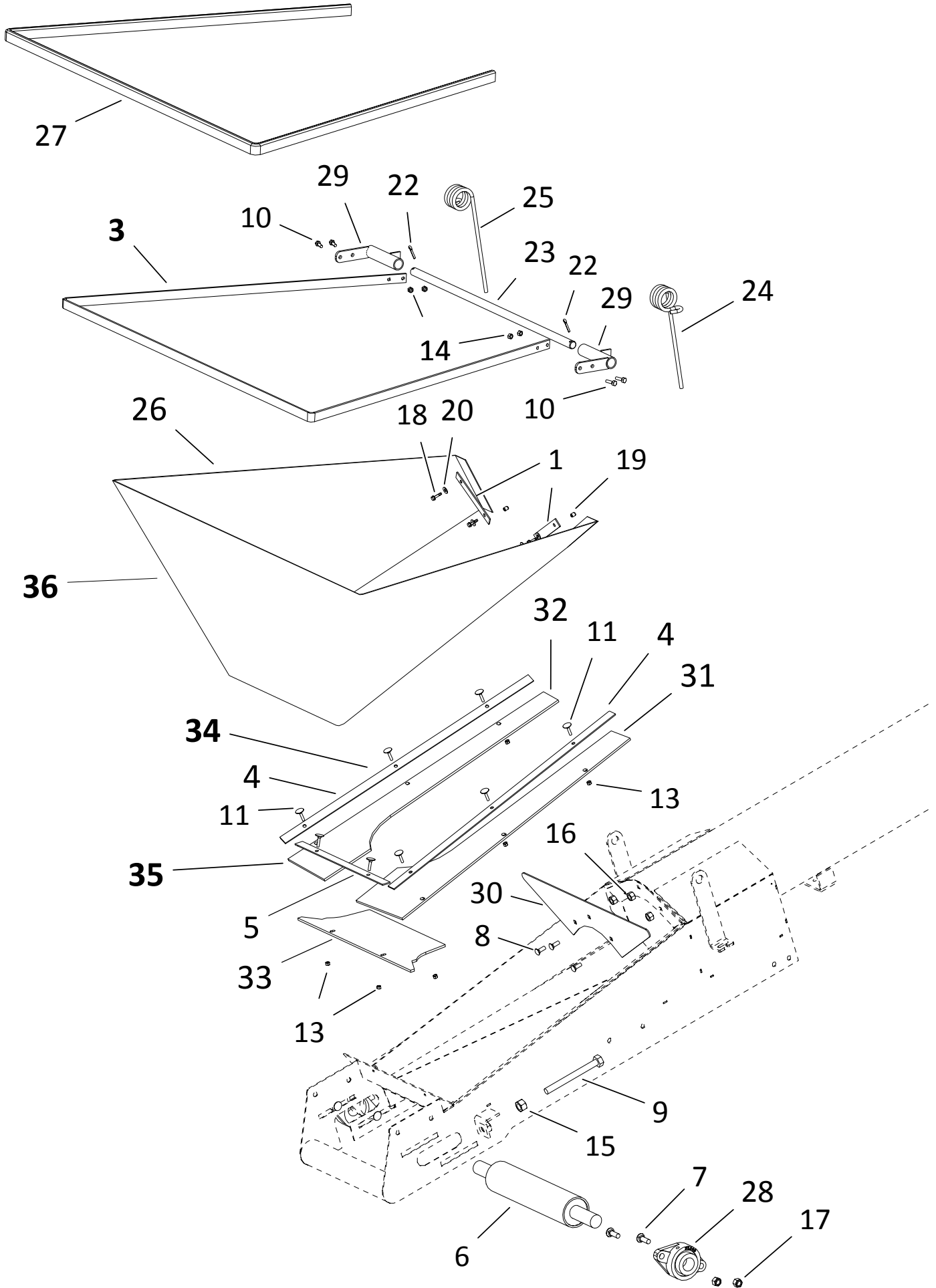
| ITEM | PART NO. | DESCRIPTION |
|------|-----------|-------------------------------------|
| 47 | P0134029 | LOCKNUT-NYLON-3/4" GRADE 8 |
| 48 | P0134030 | LOCKNUT-NYLON-1" GRADE 8 |
| 49 | P0134030 | LOCKNUT-NYLON-1" GRADE 8 |
| 50 | P0141002 | TEK SCREW 1/4"X1" |
| 51 | P0145002 | SET SCREW-7/16"X2-1/2"SQ.HD. |
| 52 | P0151006 | FLAT WASHER 1/4"PLATED USS |
| 53 | P0151006 | FLAT WASHER 1/4"PLATED USS |
| 54 | P0151006 | FLAT WASHER 1/4"PLATED USS |
| 55 | P0151009 | FLAT WASHER 3/8"PLATED USS |
| 56 | P0151010 | FLAT WASHER 5/16"PLATED USS |
| 57 | P0151011 | FLAT WASHER 5/8"PLATED USS |
| 58 | P0151026 | FLAT WASHER 3/4"SAE |
| 59 | P0151031 | FLAT WASHER 1"PLATED USS |
| 60 | P0152004 | LOCK WASHER 1/4"PLATED |
| 61 | P0152004 | LOCK WASHER 1/4"PLATED |
| 62 | P0152010 | LOCK WASHER 5/16"PLATED |
| 63 | P0161001 | Cotter Pin 1/4 x 2 |
| 64 | P0161002 | COTTER PIN 5/32X1-1/2"PLATED |
| 65 | P0162001 | HITCH PIN 1/2" X 3" PLATED |
| 66 | P0162003 | HITCH PIN 1" X 3-1/2" PLATED |
| 67 | P0163001 | HAIR PIN 3/16" X 3-1/4" |
| 68 | P0183003 | U-BOLT 2-1/2" X 2-1/2" (5/8) PLATED |
| 69 | P0614301 | TIRE ASSEMBLY-15"X4.5"X4BOLT |
| 70 | P0712105 | CABLE CLAMP-5/16" GALV. |
| 71 | P0712109 | CABLE CLAMP-3/8" |
| 72 | P0714103 | WINCH-2500# BRAKE |
| 73 | P1010001 | UNI-MOUNT PLATE CAST |
| 74 | P1012009 | JACK-7000LB SQ.TUBE 25" EXT |
| 75 | P1021006 | ROLLER HEX 15-7/8" |
| 76 | P1210030 | BELT GUIDE BLOCK |
| 77 | P1211305 | ROLLER 2" NYLON |
| 78 | P1711001 | FLANGE UNIT-1-1/2"-SAFL208-24 |
| 79 | P2219801P | U-CLAMP HANGER-10"X2-1/2"-BLACK |
| 80 | 13031019 | 55 TRACK |
| 81 | P2513202P | 2" U-CLAMP -PAINTED |
| 82 | P2513212P | 2" LOCKING U-CLAMP PAINTED |
| 83 | 15030015 | HITCH |
| 84 | 15010103 | HIGH CABLE BRIDGE |
| 85 | 15570551 | 1555 115' 6" |
| 86 | P0711109 | CABLE-5/16" (75'6") |
| 87 | P0711115 | CABLE-3/8" (68') |
| 88 | P0183021 | 3/8" EYE BOLT ASM |



S-DRIVE (15590020)

| ITEM | PART NO. | DESCRIPTION |
|------|-----------|-------------------------------------|
| 1 | 15040001 | PINCH SD BOTTOM GUARD |
| 2 | 15060061 | SD COVER PLATE 6-1/2"ROLLER |
| 3 | 15060027 | S-DRIVE TENSION INDICATOR |
| 4 | 15060082 | PINCH TIGHTENER PLATE |
| 5 | 15060504 | PRETENSIONER 1550 |
| 6 | 15061045 | S-DRIVE PINCH |
| 7 | 15061046 | SIDE GUARD LH |
| 8 | 15061047 | SIDE GUARD RH |
| 9 | 15062010 | PINCH PIPE |
| 10 | 15062179 | S-DRIVE SLIDER BOLT PLATE - BOTTOM |
| 11 | 15062180 | S-DRIVE SLIDER BOLT PLATE - TOP |
| 12 | 15070019 | 3-1/2"TAKE-UP (PINCH) |
| 13 | 15070020 | 3-1/2"TAKE-UP 19.5"SHAFT |
| 14 | 15070030 | DRIVE ROLLER-6-1/2" W/EXT SHAFT |
| 15 | P0113000 | SPRING TENSION BOLT |
| 16 | P0113001 | CARRIAGE BOLT 1/2"X2" PLATED |
| 17 | P0113004 | CARRIAGE BOLT 1/2"X1-1/2"PLATED |
| 18 | P0118033 | BOLT 1/4" X 3/4" GR8 PLATED |
| 19 | P0118046 | BOLT 3/8" X 1" GR8 PLATED |
| 20 | P0131019 | NUT 3/4" PLATED GRADE 8 |
| 21 | P0134026 | LOCKNUT-NYLON-3/8" GRADE 8 |
| 22 | P0134008 | LOCKNUT-NYLON-1/2" |
| 23 | P0145004 | SET SCREW-7/16"X1-1/2"SQ.HD.PLATED |
| 24 | P0151015 | FLAT WASHER 3/4"PLATED USS |
| 25 | P0152004 | LOCK WASHER 1/4"PLATED |
| 26 | P0167001 | SPRING PIN 1/4" X 1-1/2" |
| 27 | P0351015 | MACHINERY BUSH 3/4"X1-1/4"-14G PTD. |
| 28 | P0511008 | SPRING-LD-1300 SERIES |
| 29 | P0820129 | BUSHING BRASS FLANGED |
| 30 | P1210102 | BELT TIGHTENER SLIDER PLATE FL208 |
| 31 | P1711001 | FLANGE UNIT-1-1/2"-SAFL208-24 |
| 32 | P1711004 | FLANGE UNIT-1"-SAFL205-16 |
| 33 | P1721001 | TAKE-UP UNIT-1-1/4"-T206-20 |
| 34 | P2515006 | 15 S-DRIVE TIGHTENER BOLT |
| 35 | P20315001 | S-DRIVE RETURN-1" ROLLER |
| 36 | P0113003 | CARRIAGE BOLT 1/2"X2-1/2"PLATED |
| 37 | P0151009 | FLAT WASHER 3/8"PLATED USS |
| 38 | P0151037 | FLAT WASHER 0.531 SQUARE-1.00-0.060 |

HOPPER (15000304P)

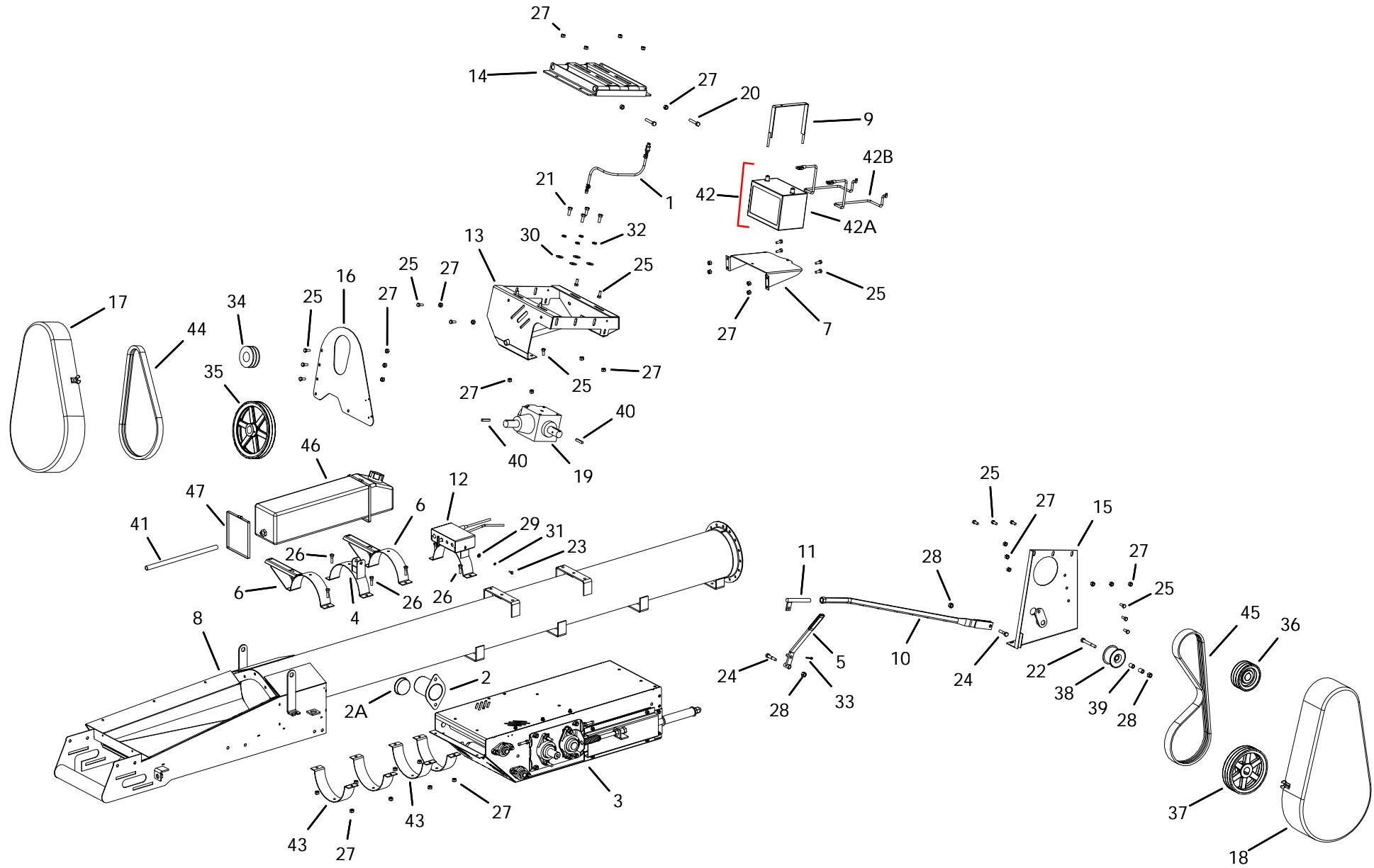


HOPPER (15000304P)

| ITEM | PART NO. | DESCRIPTION |
|------|-----------|---------------------------------|
| 1 | 13052001 | LOWER CLOTH FRAME STD BACK |
| 3 | 15052004 | UPPER CLOTH FRAME STD |
| 4 | 15052101 | LOWER CLOTH FRAME STD SIDE |
| 5 | 15052102 | LOWER CLOTH FRAME STD FRONT |
| 6 | 15070009 | HOPPER/SPOUT ROLLER LAGGED |
| 7 | P0113004 | CARRIAGE BOLT 1/2"X1-1/2"PLATED |
| 8 | P0113015 | CARRIAGE BOLT 3/8"X1" PLATED |
| 9 | P0114007 | TAP BOLT 3/4 X 7 PLATED |
| 10 | P0118061 | BOLT 5/16" X 1" GR8 PLATED |
| 11 | P0116001 | ELEVATOR BOLT 1/4"X1-1/4" |
| 13 | P0131016 | NUT 1/4" PLATED GRADE 8 |
| 14 | P0131017 | NUT 5/16" PLATED GRADE 8 |
| 15 | P0131019 | NUT 3/4" PLATED GRADE 8 |
| 16 | P0134026 | LOCKNUT-NYLON-3/8" GRADE 8 |
| 17 | P0134008 | LOCKNUT-NYLON-1/2" |
| 18 | P0141002 | TEK SCREW 1/4"X1" |
| 19 | P0145001 | VINYL SCREW CAP |
| 20 | P0151006 | FLAT WASHER 1/4"PLATED USS |
| 22 | P0161003 | COTTER PIN 3/16"X1-1/2"PLATED |
| 23 | P0162007 | HOPPER PIVOT SHAFT-13/15 |
| 24 | P0521001 | HOPPER SPRING-L |
| 25 | P0521002 | HOPPER SPRING-R |
| 26 | P1621007 | HOPPER CANVAS-15 CONV. |
| 27 | P1641015 | TRIM LOCK |
| 28 | P1711001 | FLANGE UNIT-1-1/2"-SAFL208-24 |
| 29 | P2515017 | PIVOT SHAFT BRACKET |
| 30 | P11150047 | HOPPER SHIELD |
| 31 | P19159000 | HOPPER LEFT FLASHING STD |
| 32 | P19159001 | HOPPER RIGHT FLASHING STD |
| 33 | P19159002 | HOPPER FRONT FLASHING STD |
| 34 | 15000314 | HOPPER -LINER KIT STD |
| 35 | 15000306P | HOPPER -FLASHING ONLY STD |
| 36 | 15000304P | HOPPER -COLLAPSABLE STD |

GAS DIRECT DRIVE KIT (15593100)

64

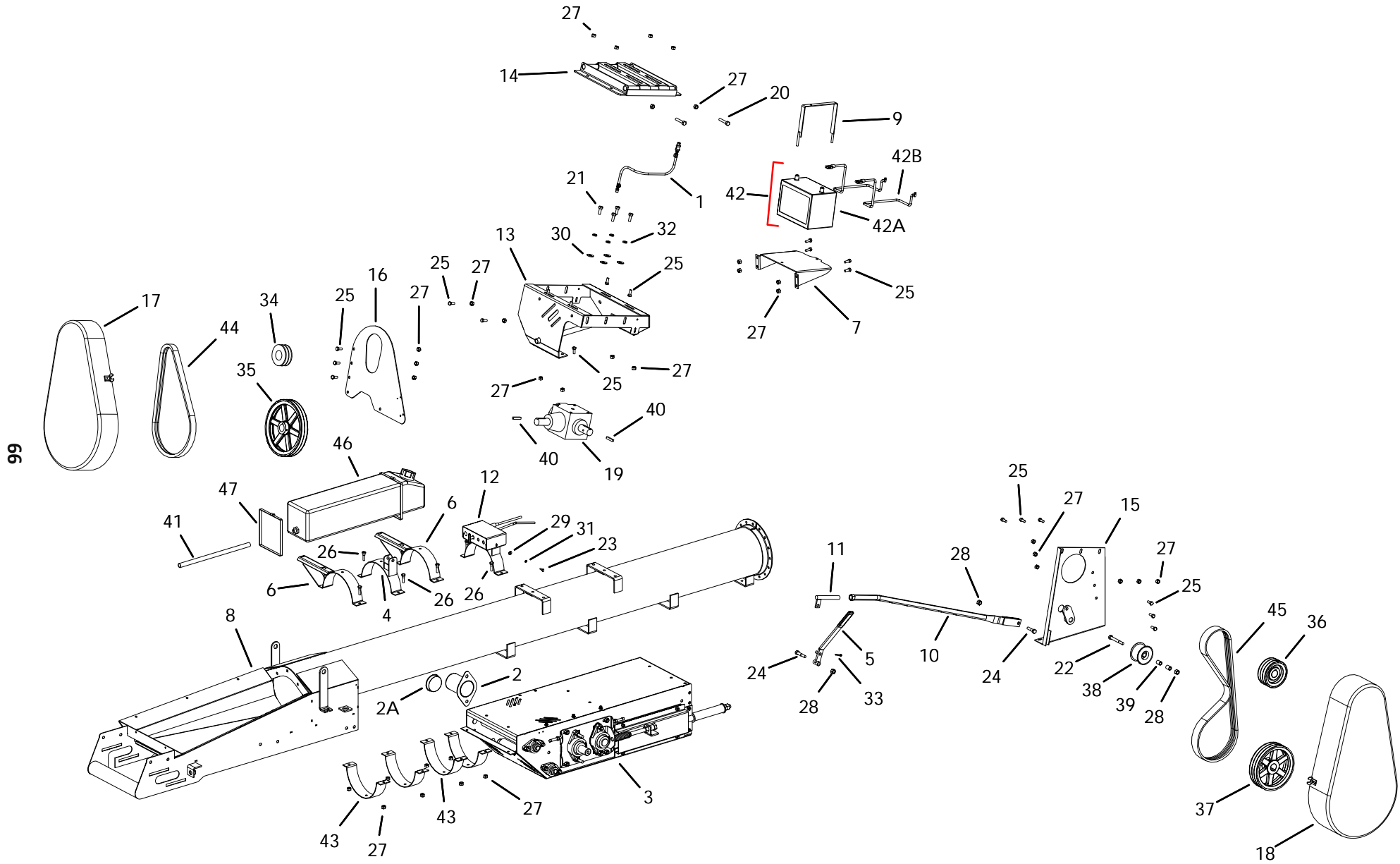


Note: Gas Drive Kit (15593100) does not include item # 8, 34 & 42.

GAS DIRECT DRIVE KIT (15593100)

| ITEM | PART NO. | DESCRIPTION |
|------|------------|-------------------------------------|
| 1 | 01010003 | BREATHER DIRECT DRIVE |
| 2 | 24041038 | SHAFT GUARD(FL-210) |
| 3 | 15590020 | S-DRIVE ASM W/PINCH |
| 4 | 13010048 | MOTOR MT OVERCENTER ANCHOR BKT |
| 5 | 13010054 | MOTOR MT OVERCENTER HANDLE |
| 6 | 13011038 | PLASTIC TANK SIDE MOUNT W 2.5" CLAM |
| 7 | 13012108 | MOTOR MOUNT BATTERY MOUNT |
| 8 | 13020040 | BT HOPPER SECTION 10' WITH SD BKTS |
| 9 | 13060054 | BATTERY CLAMP |
| 10 | 13060068 | MOTOR MT OVERCENTER PUSHROD |
| 11 | 13060074 | OVERCENTER ADJUSTER |
| 12 | 13060080 | DIRECT DRV CONTROL BOX |
| 13 | 13060102 | MOTOR MOUNT |
| 14 | 13060103 | SLIDER MOUNT |
| 15 | 13060105 | MOTOR MOUNT BACK PLATE |
| 16 | 13060107 | ENGINE GUARD BACK |
| 17 | 15040055 | PINCH GUARD SMALL ASSEMBLED |
| 18 | 15040056 | PINCH GUARD MED ASSEMBLED |
| 19 | 15591001 | GBOX 90 2:1 CW/CW 1-1/2 4190 W/OIL |
| 20 | P0114005 | TAP BOLT 1/2 X 2-1/2 GR.8 PLATED |
| 21 | P0118020 | BOLT 1/2" X 1-1/4" GR8 PLATED |
| 22 | P0118130 | BOLT 1/2" X 4" GR8 PLATED |
| 23 | P0118033 | BOLT 1/4" X 3/4" GR8 PLATED |
| 24 | P0118016 | BOLT 1/2" X 2" GR8 PLATED |
| 25 | P0118076 | BOLT 7/16"X1" GRADE 8 PLATED |
| 26 | P0118077 | BOLT 7/16"X1-1/2" GRADE 8 PLATED |
| 27 | P0134007 | LOCKNUT-NYLON-7/16" |
| 28 | P0134008 | LOCKNUT-NYLON-1/2" |
| 29 | P0151006 | FLAT WASHER 1/4"PLATED USS |
| 30 | P0151029 | FLAT WASHER 1/2"PLATED USS |
| 31 | P0152004 | LOCK WASHER 1/4"PLATED |
| 32 | P0152008 | LOCK WASHER 1/2"PLATED |
| 33 | P0161003 | COTTER PIN 3/16"X1-1/2"PLATED |
| 34 | P0328018 | PULLEY-DBL-BK-4"H |
| 35 | P0328024 | PULLEY-DBL-12" W/1-1/2"BORE |
| 36 | P0328050 | PULLEY-TRPL-6" W/1-1/2"BORE |
| 37 | P0328079 | PULLEY-TRPL-10" W/1-1/2"BORE |
| 38 | P0328910 | IDLER-FLAT-4"TRPL 2-7/16"WIDE |
| 39 | P0351019 | DNR-BUSHING 3/4"ODX1/2"IDX1"BRONZE |
| 40 | P0391002 | KEY 3/8" X 2" LONG |
| 41 | P0831008 | FUEL LINE-1/4"ID |
| 42 | P0951013 | BATTERY 420CCA |
| 43 | P2219801P | U-CLAMP HANGER-10"X2-1/2"-BLACK |
| 44 | P03210531 | BELT 2B53 BANDED |
| 45 | P03210652 | BELT 3B65 BANDED |
| 46 | P021200051 | GAS TANK W/CAP W/FITTING-22L |

GAS DIRECT DRIVE KIT (15593100)



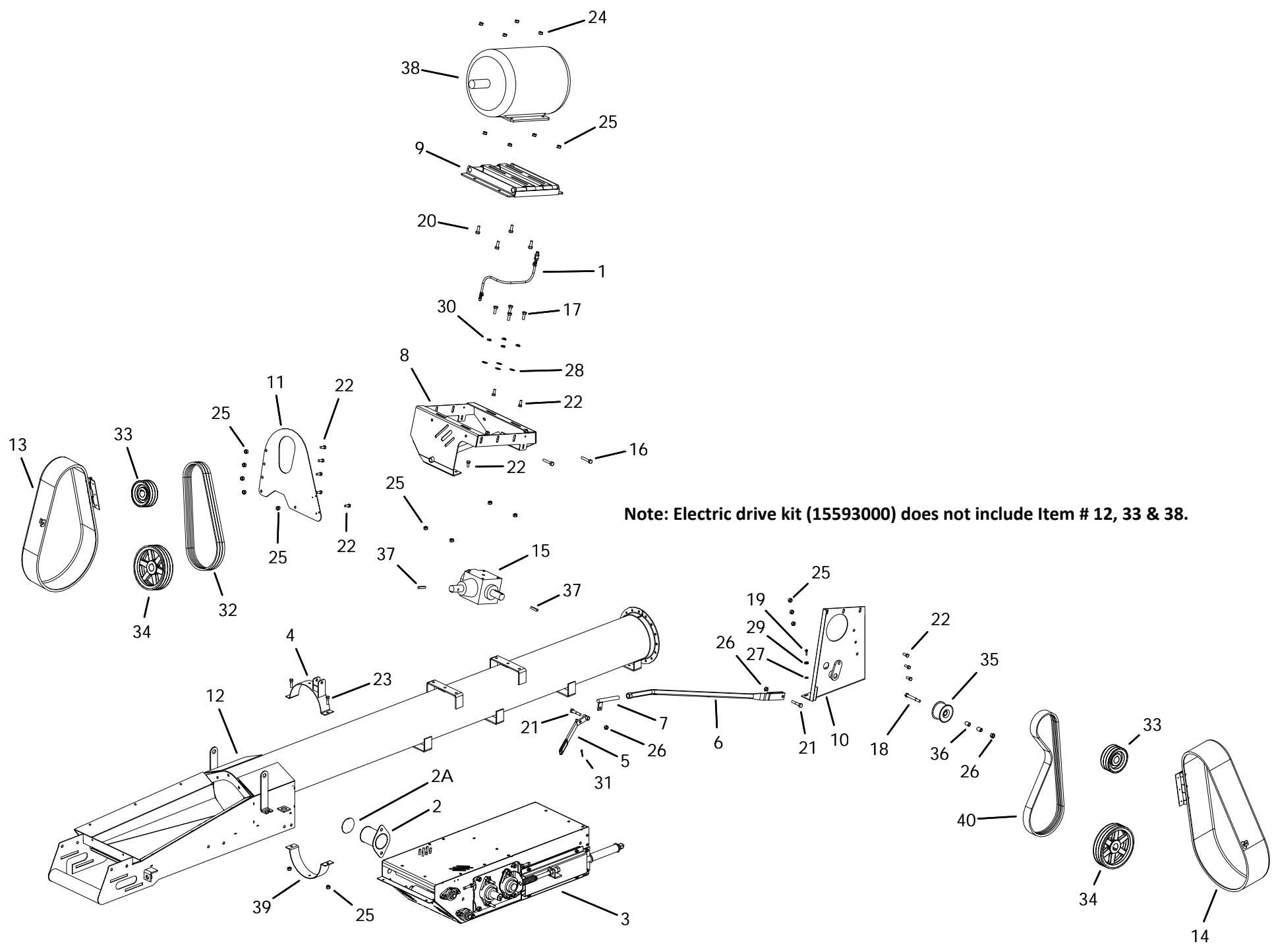
Note: Gas Drive Kit (15593100) does not include item # 8, 34 & 42.

GAS DIRECT DRIVE KIT (15593100)

| ITEM | PART NO. | DESCRIPTION |
|-------------|-----------------|-------------------------------|
| 46 | 1200011 | CAP, FOR RESERVOIR & GAS TANK |
| 47 | P029900216 | GEAR CLAMP 32" |

ELECTRIC DRIVE KIT (15593000)

68

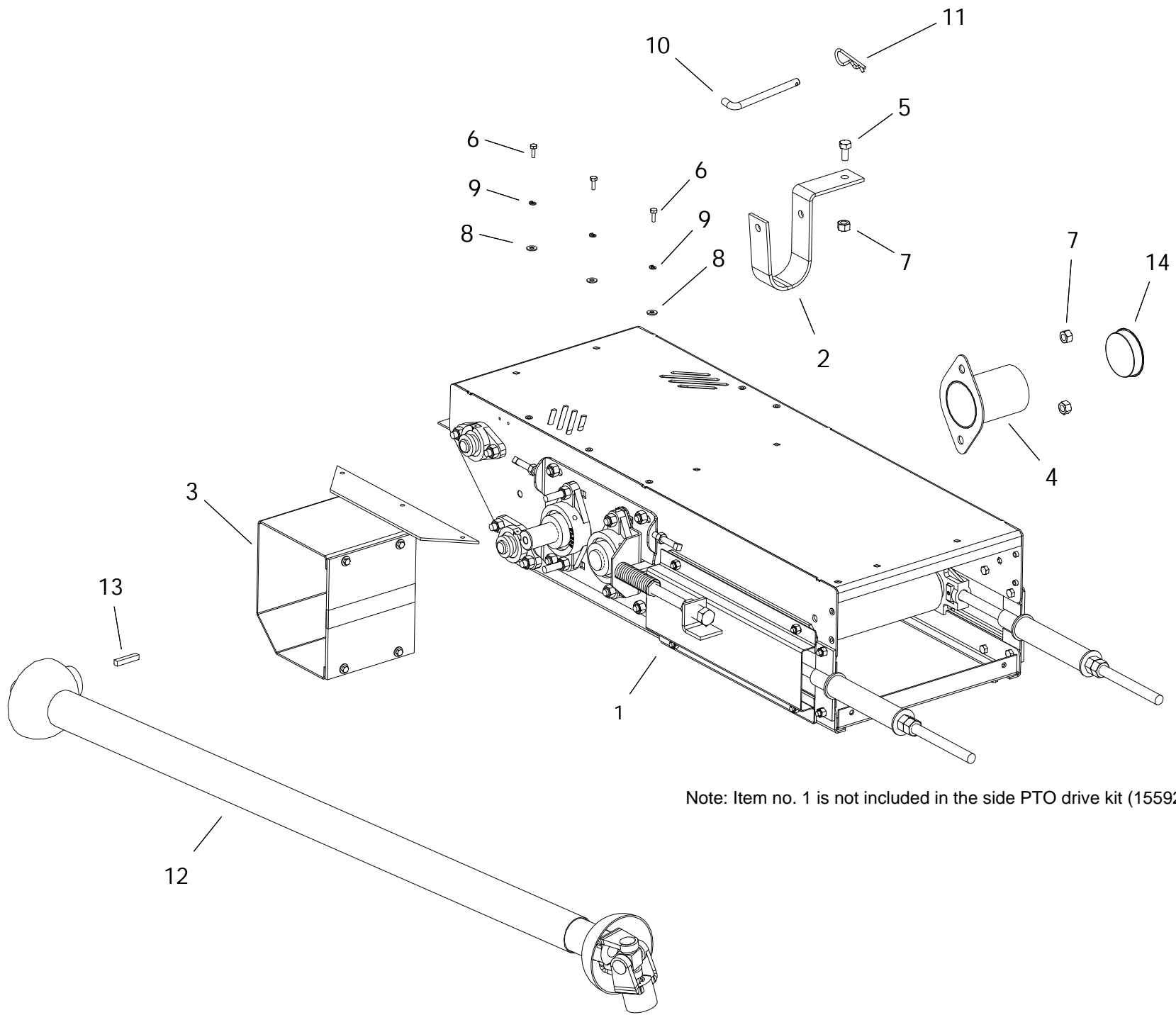


Note: Electric drive kit (15593000) does not include Item # 12, 33 & 38.

ELECTRIC DRIVE KIT (15593000)

| ITEM | PART NO. | DESCRIPTION |
|------|-----------|------------------------------------|
| 1 | 01010003 | BREATHER DIRECT DRIVE |
| 2 | 24041038 | SHAFT GUARD(FL-210) |
| 3 | 15590020 | S-DRIVE ASM W/PINCH |
| 4 | 13010048 | MOTOR MT OVERCENTER ANCHOR BKT |
| 5 | 13010054 | MOTOR MT OVERCENTER HANDLE |
| 6 | 13060068 | MOTOR MT OVERCENTER PUSHROD |
| 7 | 13060074 | OVERCENTER ADJUSTER |
| 8 | 13060102 | MOTOR MOUNT |
| 9 | 13060103 | SLIDER MOUNT |
| 10 | 13060105 | MOTOR MOUNT BACK PLATE |
| 11 | 13060107 | ENGINE GUARD BACK |
| 12 | 15020040 | BT HOPPER SECTION 10' WITH SD BKTS |
| 13 | 15040055 | PINCH GUARD SMALL ASSEMBLED |
| 14 | 15040056 | PINCH GUARD MED ASSEMBLED |
| 15 | 15591000 | GBOX 90 1:1 CW/CW 1-1/2 4190 W/OIL |
| 16 | P0114005 | TAP BOLT 1/2 X 2-1/2 GR.8 PLATED |
| 17 | P0118020 | BOLT 1/2" X 1-1/4" GR8 PLATED |
| 18 | P0118130 | BOLT 1/2" X 4" GR8 PLATED |
| 19 | P0118131 | BOLT 1/4" X 1" GR8 PLATED |
| 20 | P0118061 | BOLT 5/16" X 1" GR8 PLATED |
| 21 | P0118016 | BOLT 1/2" X 2" GR8 PLATED |
| 22 | P0118076 | BOLT 7/16"X1" GRADE 8 PLATED |
| 23 | P0118077 | BOLT 7/16"X1-1/2" GRADE 8 PLATED |
| 24 | P0134027 | LOCKNUT-NYLON-5/16" GRADE 8 |
| 25 | P0134007 | LOCKNUT-NYLON-7/16" |
| 26 | P0134008 | LOCKNUT-NYLON-1/2" |
| 27 | P0151006 | FLAT WASHER 1/4"PLATED USS |
| 28 | P0151029 | FLAT WASHER 1/2"PLATED USS |
| 29 | P0152004 | LOCK WASHER 1/4"PLATED |
| 30 | P0152008 | LOCK WASHER 1/2"PLATED |
| 31 | P0161003 | COTTER PIN 3/16"X1-1/2"PLATED |
| 32 | P0321052 | BELT B52 |
| 33 | P0328050 | PULLEY-TRPL-6" W/1-1/2"BORE |
| 34 | P0328079 | PULLEY-TRPL-10" W/1-1/2"BORE |
| 35 | P0328910 | IDLER-FLAT-4"TRPL 2-7/16"WIDE |
| 36 | P0351019 | DNR-BUSHING 3/4"ODX1/2"IDX1"BRONZE |
| 37 | P0391002 | KEY 3/8" X 2" LONG |
| 38 | P0931004 | ELECTRIC MOTOR 10HP |
| 39 | P2219801P | U-CLAMP HANGER-10"X2-1/2"-BLACK |
| 40 | P03210652 | BELT 3B65 BANDED |

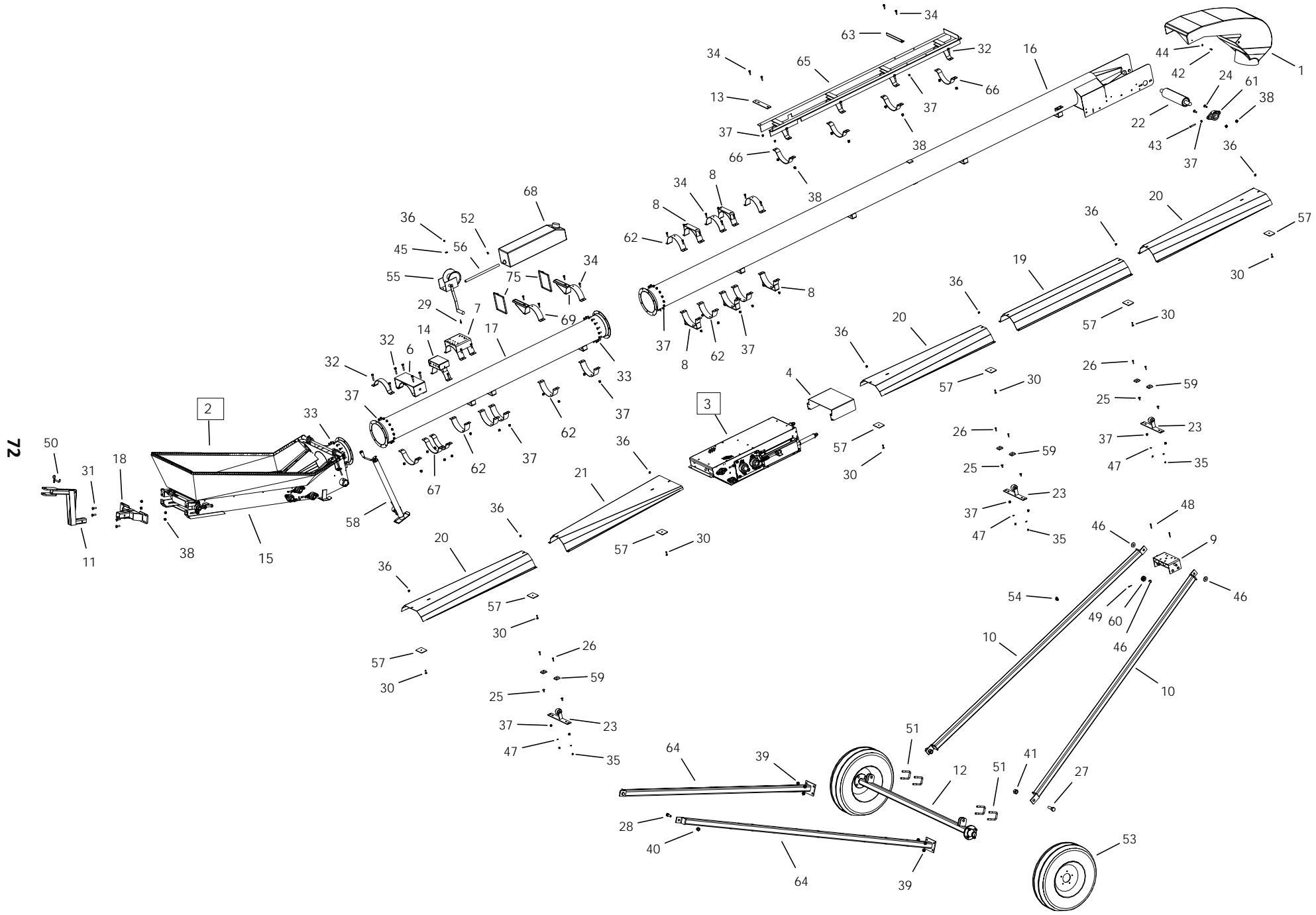
SIDE P.T.O. DRIVE KIT 15 SERIES (15592200)



Note: Item no. 1 is not included in the side PTO drive kit (15592200)

SIDE P.T.O. DRIVE KIT 15 SERIES (15592200)

| ITEM | PART NO. | DESCRIPTION |
|------|----------|-----------------------------|
| 1 | 15590020 | S-DRIVE ASM W/PINCH |
| 2 | 13042018 | PTO CRADLE |
| 3 | 15040002 | PTO GUARD |
| 4 | 15041038 | SHAFT GUARD(FL-208) |
| 5 | P0118012 | BOLT 1/2" X 1" GR8 PLATED |
| 6 | P0118033 | BOLT 1/4" X 3/4" GR8 PLATED |
| 7 | P0134008 | LOCKNUT-NYLON-1/2" |
| 8 | P0151006 | FLAT WASHER 1/4"PLATED USS |
| 9 | P0152004 | LOCK WASHER 1/4"PLATED |
| 10 | P0162004 | HITCH PIN 1/2" X 5" PLATED |
| 11 | P0163001 | HAIR PIN 3/16" X 3-1/4" |
| 12 | P0381014 | PTO SHAFT 1-1/2"X75" |
| 13 | P0391002 | KEY 3/8" X 2" LONG |
| 14 | P1210033 | 501 SHAFT GUARD PLUG |

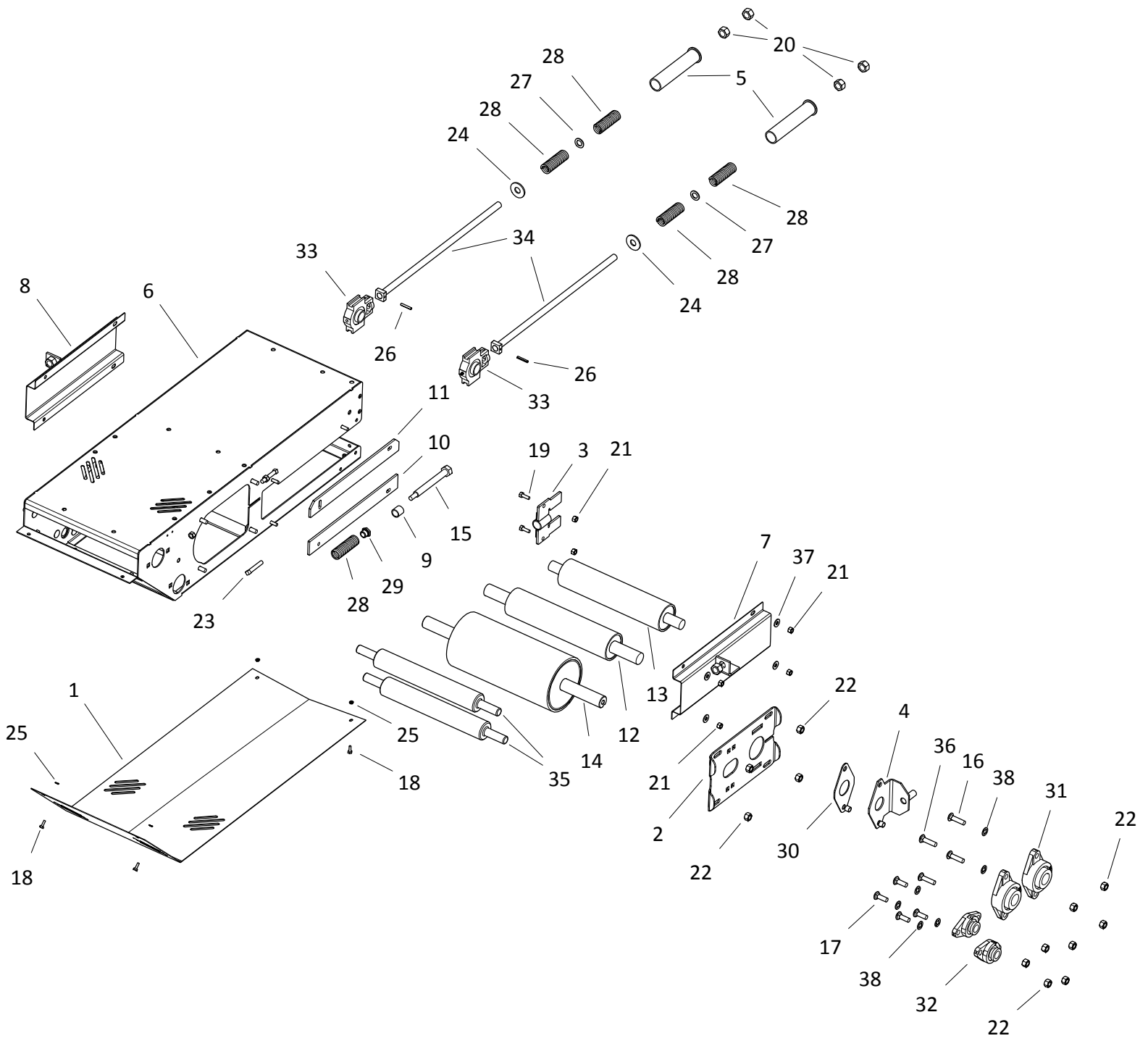


1535 FL-15503522

| ITEM | PART NO. | DESCRIPTION |
|------|-----------|-------------------------------------|
| 1 | P1211501 | HOOD-ROUND 15 SERIES (KANBAN) |
| 2 | 15000303P | HOPPER -COLLAPSABLE 1515 |
| 3 | 15590020 | S-DRIVE ASM W/PINCH |
| 4 | 15040040 | PINCH DRIVE FRONT GUARD |
| 6 | 13010008 | SUSPENSION BRACKET-NO TABS |
| 7 | 13011013 | WINCH MOUNT HD |
| 8 | 13011043 | PINCH S-DRIVE MOUNT BRACKET |
| 9 | 13030042 | 13/15 TRACK SLIDER |
| 10 | 13030053 | 1330TD/1335FL Upright Arms |
| 11 | 13030096 | FL Z-DROP TONGUE |
| 12 | 13030100 | AXLE 30-45-2-1/2" (WITH 8 LUGS) |
| 13 | 13032094 | 35/45 SMALL CABLE ATTACH |
| 14 | 13060080 | DIRECT DRV CONTROL BOX |
| 15 | 15000320 | HOPPER TYPE -TRANSFER |
| 16 | 15020047 | SPOUT SECTION 20' W/RTRN MOUNTS |
| 17 | 15020054 | UPPER CENTER TUBE 10' |
| 18 | 15030007 | HITCH FL (ONE PC) |
| 19 | 15042101 | WEATHER GUARD 5' - 61-1/2" |
| 20 | 15042102 | WEATHER GUARD 5' FLR - 61-1/2" |
| 21 | 15042103 | WEATHER GUARD 5' FLAT - 61-1/2" |
| 22 | 15070009 | HOPPER/SPOUT ROLLER LAGGED |
| 23 | 150100911 | WEATHER GUARD MOUNT BAR KIT-POLY |
| 24 | P0113004 | CARRIAGE BOLT 1/2"X1-1/2"PLATED |
| 25 | P0113013 | CARRIAGE BOLT 7/16"X1" PLATED |
| 26 | P0113020 | CARRIAGE BOLT 5/16"X1-1/2"PLATED |
| 27 | P0118004 | BOLT 1" X 3" GR8 PLATED |
| 28 | P0115111 | BOLT 3/4" X 2" GR8 PLATED |
| 29 | P0118046 | BOLT 3/8" X 1" GR8 PLATED |
| 30 | P0115303 | CAPSCREW 3/8X1-1/4FLT HD SOCKET PTD |
| 31 | P0118013 | BOLT 1/2"X1 1/2" GR.8 PLATED |
| 32 | P0118017 | BOLT 1/2"X2-1/2"GRADE 8 PLATED |
| 33 | P0118076 | BOLT 7/16"X1" GRADE 8 PLATED |
| 34 | P0118077 | BOLT 7/16"X1-1/2" GRADE 8 PLATED |
| 35 | P0134027 | LOCKNUT-NYLON-5/16" GRADE 8 |
| 36 | P0134026 | LOCKNUT-NYLON-3/8" GRADE 8 |
| 37 | P0134007 | LOCKNUT-NYLON-7/16" |
| 38 | P0134008 | LOCKNUT-NYLON-1/2" |
| 39 | P01340101 | LOCKNUT-NYLON-5/8" GRADE 8 |
| 40 | P0134029 | LOCKNUT-NYLON-3/4" GRADE 8 |
| 41 | P0134030 | LOCKNUT-NYLON-1" GRADE 8 |
| 42 | P0141002 | TEK SCREW 1/4"X1" |
| 43 | P0145002 | SET SCREW-7/16"X2-1/2"SQ.HD. |
| 44 | P0151006 | FLAT WASHER 1/4"PLATED USS |
| 45 | P0151009 | FLAT WASHER 3/8"PLATED USS |
| 46 | P0151031 | FLAT WASHER 1"PLATED USS |
| 47 | P0152010 | LOCK WASHER 5/16"PLATED |

1535 FL-15503522

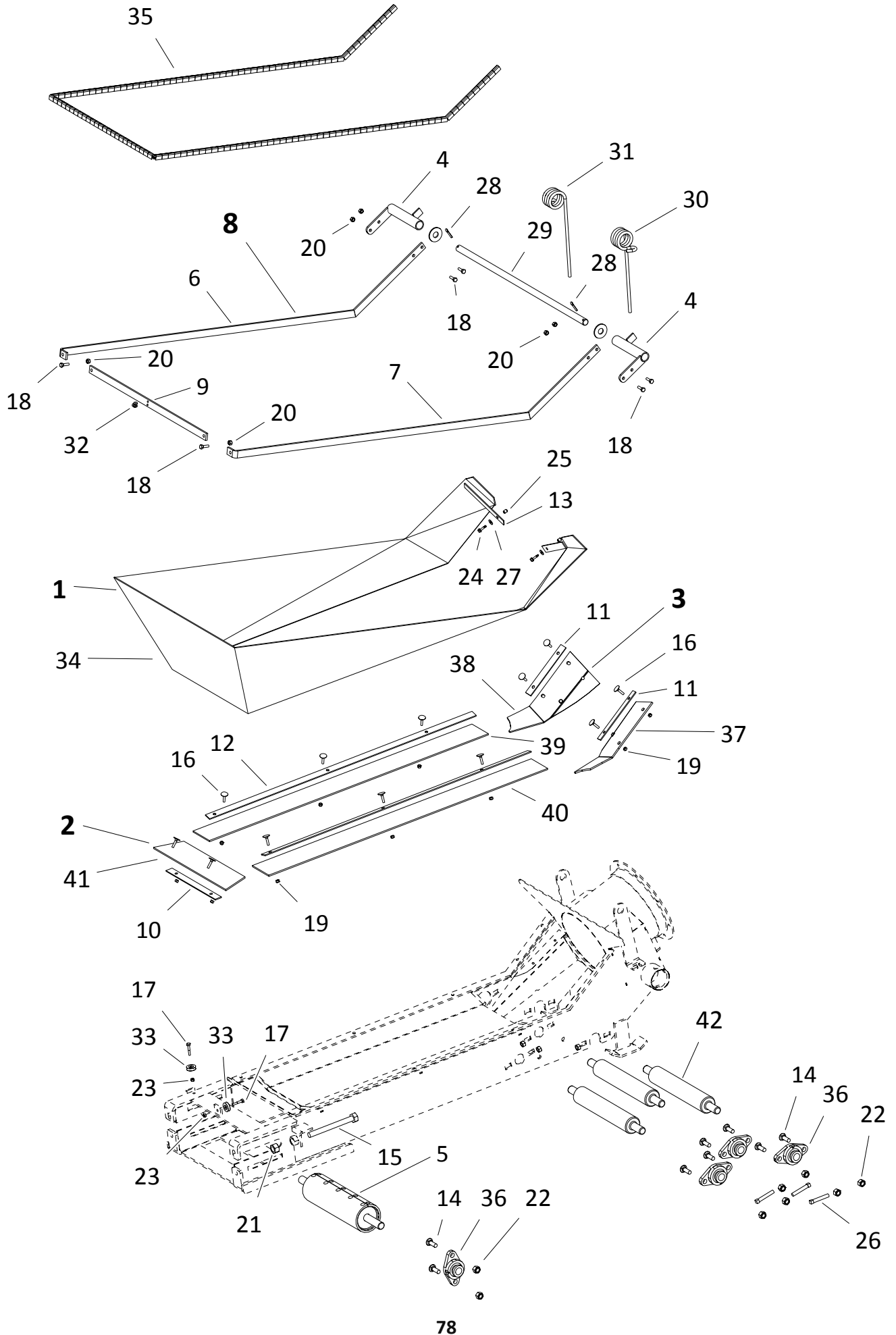
| ITEM | PART NO. | DESCRIPTION |
|------|------------|-------------------------------------|
| 48 | P0161001 | Cotter Pin 1/4 x 2 |
| 49 | P0161002 | COTTER PIN 5/32X1-1/2" PLATED |
| 50 | P0162001 | HITCH PIN 1/2" X 3" PLATED |
| 51 | P0183003 | U-BOLT 2-1/2" X 2-1/2" (5/8) PLATED |
| 52 | P0184033 | WIRE HOSE CLAMP .500" |
| 53 | P0615301 | 5 Bolt Tire Assembly |
| 54 | P0712105 | CABLE CLAMP-5/16" GALV. |
| 55 | P0714102 | WINCH-1500# BRAKE |
| 56 | P0831008 | FUEL LINE-1/4"ID |
| 57 | P1010001 | UNI-MOUNT PLATE CAST |
| 58 | P1012010 | JACK-1000LB ROUND JACK (15" EXT) |
| 59 | P1210030 | BELT GUIDE BLOCK |
| 60 | P1211305 | ROLLER 2" NYLON |
| 61 | P1711001 | FLANGE UNIT-1-1/2"-SAFL208-24 |
| 62 | P2219801P | U-CLAMP HANGER-10"X2-1/2"-BLACK |
| 63 | 13032125 | BOLT ON ANGLE |
| 64 | 13030102 | AXLE ARM 30/35TD/45-2-1/2" |
| 65 | 13031020 | 13/15 4 BAND TRACK |
| 66 | P2513202P | 2" U-CLAMP -PAINTED |
| 67 | P2513212P | 2" LOCKING U-CLAMP PAINTED |
| 68 | P021200051 | GAS TANK W/CAP W/FITTING-22L |
| 68 | 1200011 | CAP, FOR RESERVOIR & GAS TANK |
| 69 | 13011038 | PLASTIC TANK SIDE MOUNT W 2.5" CLAM |
| 70 | P2227989 | MANUAL HOLDER AND LID |
| 71 | P1243001 | CABLE TIE 14" 120 LB |
| 73 | P0711108 | CABLE-5/16" (44') (50740) |
| 74 | 15570352 | 1535FL 85' |
| 75 | P029900216 | GEAR CLAMP 32" |
| 76 | P0712114 | THROTTLE CONTROL 15' |
| 77 | P0712102 | CHOKE CABLE-15' LOCKING |
| 78 | 15555300 | CASTOR TONGUE WHEEL (NOT SHOWN) |



S-DRIVE (15590020)

| ITEM | PART NO. | DESCRIPTION |
|------|-----------|-------------------------------------|
| 1 | 15040001 | PINCH SD BOTTOM GUARD |
| 2 | 15060061 | SD COVER PLATE 6-1/2"ROLLER |
| 3 | 15060027 | S-DRIVE TENSION INDICATOR |
| 4 | 15060082 | PINCH TIGHTENER PLATE |
| 5 | 15060504 | PRETENSIONER 1550 |
| 6 | 15061045 | S-DRIVE PINCH |
| 7 | 15061046 | SIDE GUARD LH |
| 8 | 15061047 | SIDE GUARD RH |
| 9 | 15062010 | PINCH PIPE |
| 10 | 15062179 | S-DRIVE SLIDER BOLT PLATE - BOTTOM |
| 11 | 15062180 | S-DRIVE SLIDER BOLT PLATE - TOP |
| 12 | 15070019 | 3-1/2"TAKE-UP (PINCH) |
| 13 | 15070020 | 3-1/2"TAKE-UP 19.5"SHAFT |
| 14 | 15070030 | DRIVE ROLLER-6-1/2" W/EXT SHAFT |
| 15 | P0113000 | SPRING TENSION BOLT |
| 16 | P0113001 | CARRIAGE BOLT 1/2"X2" PLATED |
| 17 | P0113004 | CARRIAGE BOLT 1/2"X1-1/2"PLATED |
| 18 | P0118033 | BOLT 1/4" X 3/4" GR8 PLATED |
| 19 | P0118046 | BOLT 3/8" X 1" GR8 PLATED |
| 20 | P0131019 | NUT 3/4" PLATED GRADE 8 |
| 21 | P0134026 | LOCKNUT-NYLON-3/8" GRADE 8 |
| 22 | P0134008 | LOCKNUT-NYLON-1/2" |
| 23 | P0145004 | SET SCREW-7/16"X1-1/2"SQ.HD.PLATED |
| 24 | P0151015 | FLAT WASHER 3/4"PLATED USS |
| 25 | P0152004 | LOCK WASHER 1/4"PLATED |
| 26 | P0167001 | SPRING PIN 1/4" X 1-1/2" |
| 27 | P0351015 | MACHINERY BUSH 3/4"X1-1/4"-14G PTD. |
| 28 | P0511008 | SPRING-LD-1300 SERIES |
| 29 | P0820129 | BUSHING BRASS FLANGED |
| 30 | P1210102 | BELT TIGHTENER SLIDER PLATE FL208 |
| 31 | P1711001 | FLANGE UNIT-1-1/2"-SAFL208-24 |
| 32 | P1711004 | FLANGE UNIT-1"-SAFL205-16 |
| 33 | P1721001 | TAKE-UP UNIT-1-1/4"-T206-20 |
| 34 | P2515006 | 15 S-DRIVE TIGHTENER BOLT |
| 35 | P20315001 | S-DRIVE RETURN-1" ROLLER |
| 36 | P0113003 | CARRIAGE BOLT 1/2"X2-1/2"PLATED |
| 37 | P0151009 | FLAT WASHER 3/8"PLATED USS |
| 38 | P0151037 | FLAT WASHER 0.531 SQUARE-1.00-0.060 |

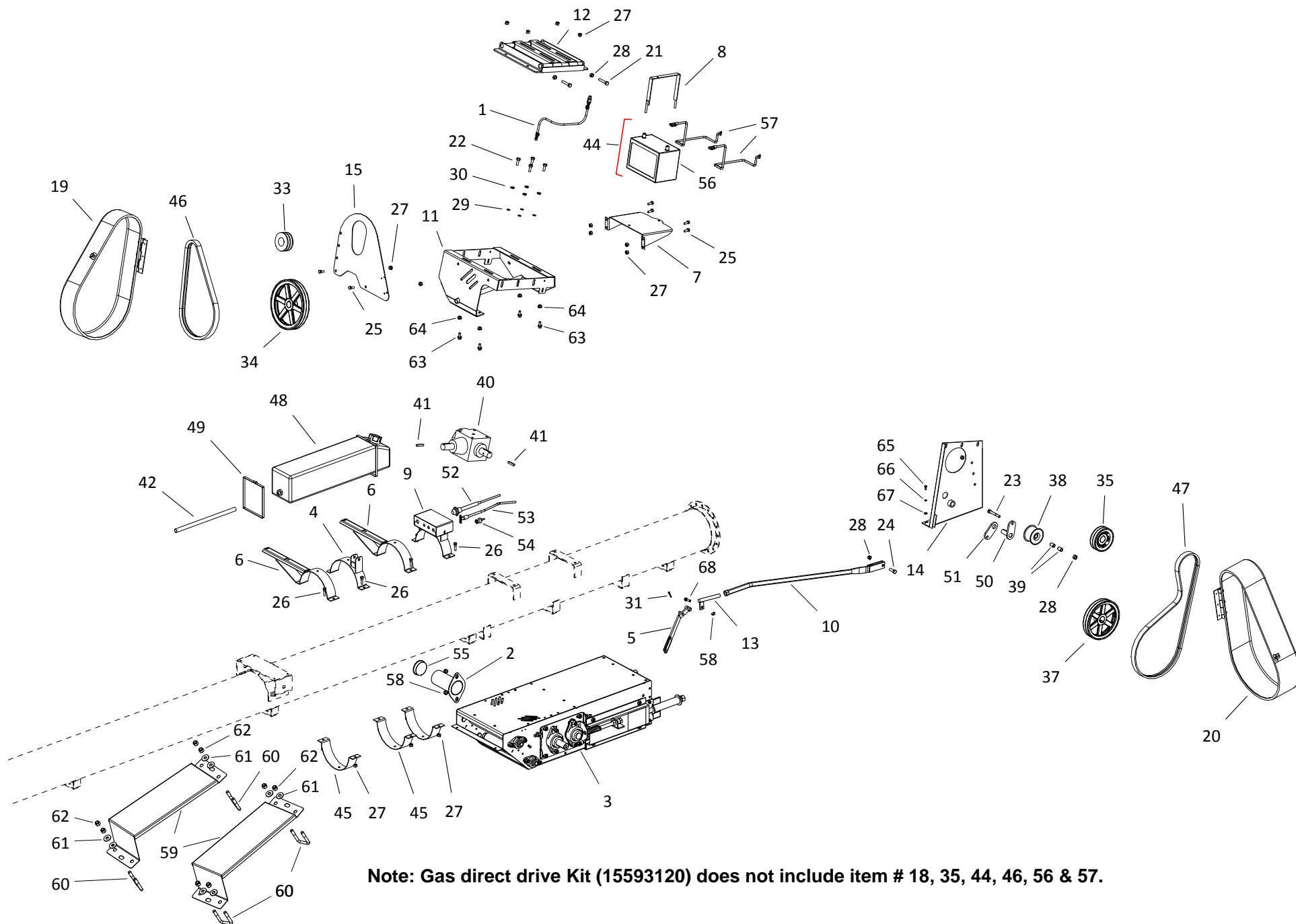
HOPPER (15000303P)



HOPPER (15000303P)

| ITEM | PART NO. | DESCRIPTION |
|------|-----------|----------------------------------|
| 1 | 15000303P | HOPPER -COLLAPSABLE 1515 |
| 2 | 15000307P | HOPPER LINER KIT 1515LP |
| 3 | 15000308P | HOPPER -FLASHING ONLY 1515LP |
| 4 | 15050010 | PIVOT SHAFT RIGHT |
| 5 | 15070012 | TAKE-UP ROLLER-1-1/4" LAGGED |
| 6 | 15100001 | UPPER CLOTH FRAME TR RIGHT |
| 7 | 15100002 | UPPER CLOTH FRAME TR LEFT |
| 8 | 15100021 | HOPPER CLOTH FRAME-UPPER 1515LP |
| 9 | 15102018 | UPPER CLOTH FRAME TR FRONT |
| 10 | 15102058 | LOWER CLOTH FRAME TR FRONT |
| 11 | 15102059 | LOWER CLOTH FRAME TR TRANSITION |
| 12 | 15102060 | LOWER CLOTH FRAME TR SIDE |
| 13 | 15102061 | LOWER CLOTH FRAME TR BACK |
| 14 | P0113004 | CARRIAGE BOLT 1/2"X1-1/2"PLATED |
| 15 | P0114007 | TAP BOLT 3/4 X 7 PLATED |
| 16 | P0116001 | ELEVATOR BOLT 1/4"X1-1/4" |
| 17 | P0118026 | BOLT 1/4" X 1-1/2" GR8 PLATED |
| 18 | P0118061 | BOLT 5/16" X 1" GR8 PLATED |
| 19 | P0131016 | NUT 1/4" PLATED GRADE 8 |
| 20 | P0131017 | NUT 5/16" PLATED GRADE 8 |
| 21 | P0131112 | NUT 3/4"PLATED |
| 22 | P0134008 | LOCKNUT-NYLON-1/2" |
| 23 | P0134023 | LOCKNUT-NYLON-1/4" GR8 |
| 24 | P0141002 | TEK SCREW 1/4"X1" |
| 25 | P0145001 | VINYL SCREW CAP |
| 26 | P0145002 | SET SCREW-7/16"X2-1/2"SQ.HD. |
| 27 | P0151006 | FLAT WASHER 1/4"PLATED USS |
| 28 | P0161003 | COTTER PIN 3/16"X1-1/2"PLATED |
| 29 | P0162007 | HOPPER PIVOT SHAFT-13/15 |
| 30 | P0521001 | HOPPER SPRING-L |
| 31 | P0521002 | HOPPER SPRING-R |
| 32 | P0712104 | CABLE CLAMP-1/8" GALV. |
| 33 | P0713104 | CABLE SHEAVE-1-1/4" W/BEARING |
| 34 | P1621010 | HOPPER CANVAS 1515LP |
| 35 | P1641015 | TRIM LOCK |
| 36 | P1711002 | FLANGE UNIT-1-1/4"-SAFL206-20 |
| 37 | P19159010 | TRANSITION FLASHING LEFT 15S FL |
| 38 | P19159011 | TRANSITION FLASHING RIGHT 15S FL |
| 39 | P19159008 | FL HOPPER FLASHING LH |
| 40 | P19159009 | FL HOPPER FLASHING RH |
| 41 | P19159012 | FRONT HOPPER FLASHING |
| 42 | P20315002 | TRANSITION ROLLER |

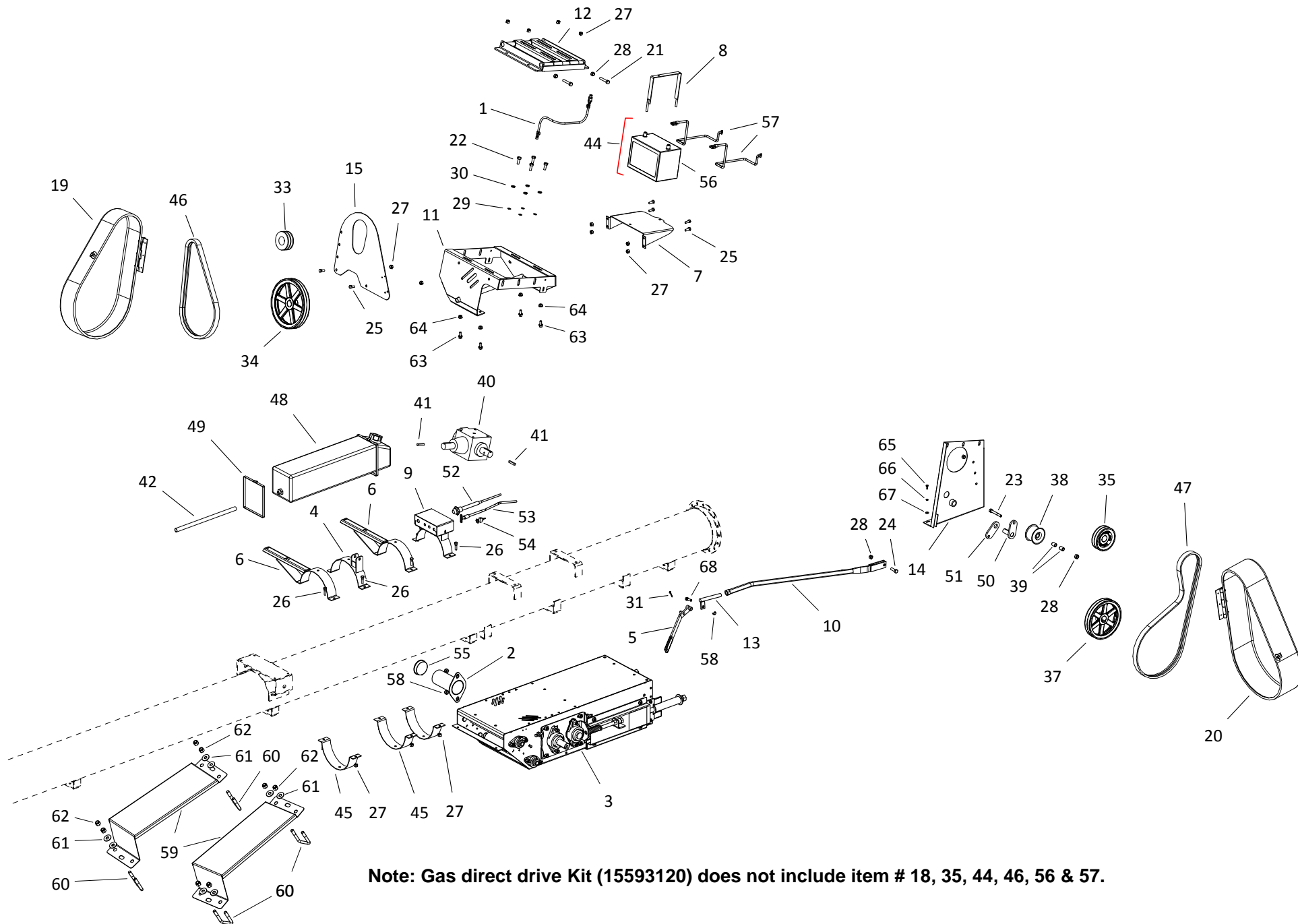
1535FL GAS DIRECT DRIVE KIT (15593120)



1535FL GAS DIRECT DRIVE KIT (15593120)

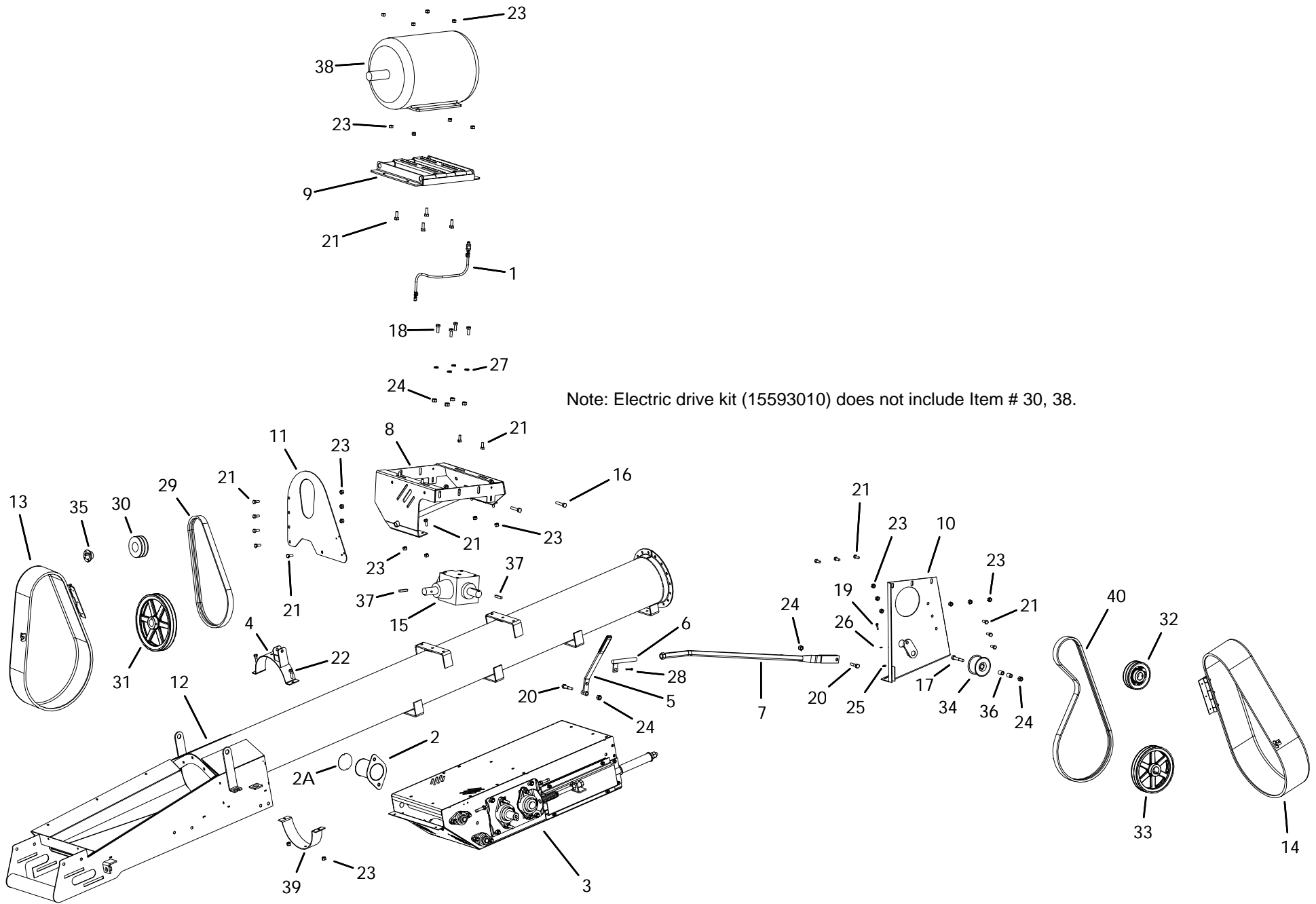
| ITEM | PART NO. | DESCRIPTION |
|------|------------|------------------------------------|
| 1 | 01010003 | BREATHER DIRECT DRIVE |
| 2 | 24041038 | SHAFT GUARD(FL-210) |
| 3 | 15590020 | S-DRIVE ASM W/PINCH |
| 4 | 13010048 | MOTOR MT OVERCENTER ANCHOR BKT |
| 5 | 13010054 | MOTOR MT OVERCENTER HANDLE |
| 6 | 13011039 | EXT. PLASTIC TANK SIDE MOUNT |
| 7 | 13012108 | MOTOR MOUNT BATTERY MOUNT |
| 8 | 13060054 | BATTERY CLAMP |
| 9 | 13060080 | DIRECT DRV CONTROL BOX |
| 10 | 24060084 | 24 MOTOR MT OVERCENTER PUSHROD |
| 11 | 13060102 | MOTOR MOUNT |
| 12 | 13060103 | SLIDER MOUNT |
| 13 | 13060074 | OVERCENTER ADJUSTER |
| 14 | 13060105 | MOTOR MOUNT BACK PLATE |
| 15 | 13060107 | ENGINE GUARD BACK |
| 19 | 15040055 | PINCH GUARD SMALL ASSEMBLED |
| 20 | 15040056 | PINCH GUARD MED ASSEMBLED |
| 21 | P0114005 | TAP BOLT 1/2 X 2-1/2 GR.8 PLATED |
| 22 | P0118020 | BOLT 1/2" X 1-1/4" GR8 PLATED |
| 23 | P0118019 | BOLT 1/2" X 3-1/2" GR8 PLATED |
| 24 | P0118013 | BOLT 1/2"X1 1/2" GR.8 PLATED |
| 25 | P0118076 | BOLT 7/16"X1" GRADE 8 PLATED |
| 26 | P0118077 | BOLT 7/16"X1-1/2" GRADE 8 PLATED |
| 27 | P0134007 | LOCKNUT-NYLON-7/16" |
| 28 | P0134008 | LOCKNUT-NYLON-1/2" |
| 29 | P0151029 | FLAT WASHER 1/2"PLATED USS |
| 30 | P0152008 | LOCK WASHER 1/2"PLATED |
| 31 | P0161003 | COTTER PIN 3/16"X1-1/2"PLATED |
| 33 | P0328018 | PULLEY-DBL-BK-4"H |
| 34 | P0328024 | PULLEY-DBL-12" W/1-1/2"BORE |
| 35 | P0328025 | PULLEY-DBL-6" W/1-1/2"BORE |
| 37 | P0328062 | PULLEY-DBL-10" W/1-1/2"BORE |
| 38 | P0328910 | IDLER-FLAT-4"TRPL 2-7/16"WIDE |
| 39 | P0351019 | DNR-BUSHING 3/4"ODX1/2"IDX1"BRONZE |
| 40 | 15591001 | GBOX 90 2:1 CW/CW 1-1/2 4190 W/OIL |
| 41 | P0391002 | KEY 3/8" X 2" LONG |
| 42 | P0831008 | FUEL LINE-1/4"ID |
| 42 | P0841033 | PUMP-SMALL |
| 42 | P0841033S | PUMP-0.375 CW/END PORTS SEAL |
| 44 | 13000260 | BATTERY AND CABLE PKG. |
| 45 | P2219801P | U-CLAMP HANGER-10"X2-1/2"-BLACK |
| 46 | P03210531 | BELT 2B53 BANDED |
| 47 | P03210651 | BELT 2B65 BANDED |
| 48 | P021200051 | GAS TANK W/CAP W/FITTING-22L |
| 48 | 1200011 | CAP, FOR RESERVOIR & GAS TANK |
| 49 | P029900216 | GEAR CLAMP 32" |

1535FL GAS DIRECT DRIVE KIT (15593120)



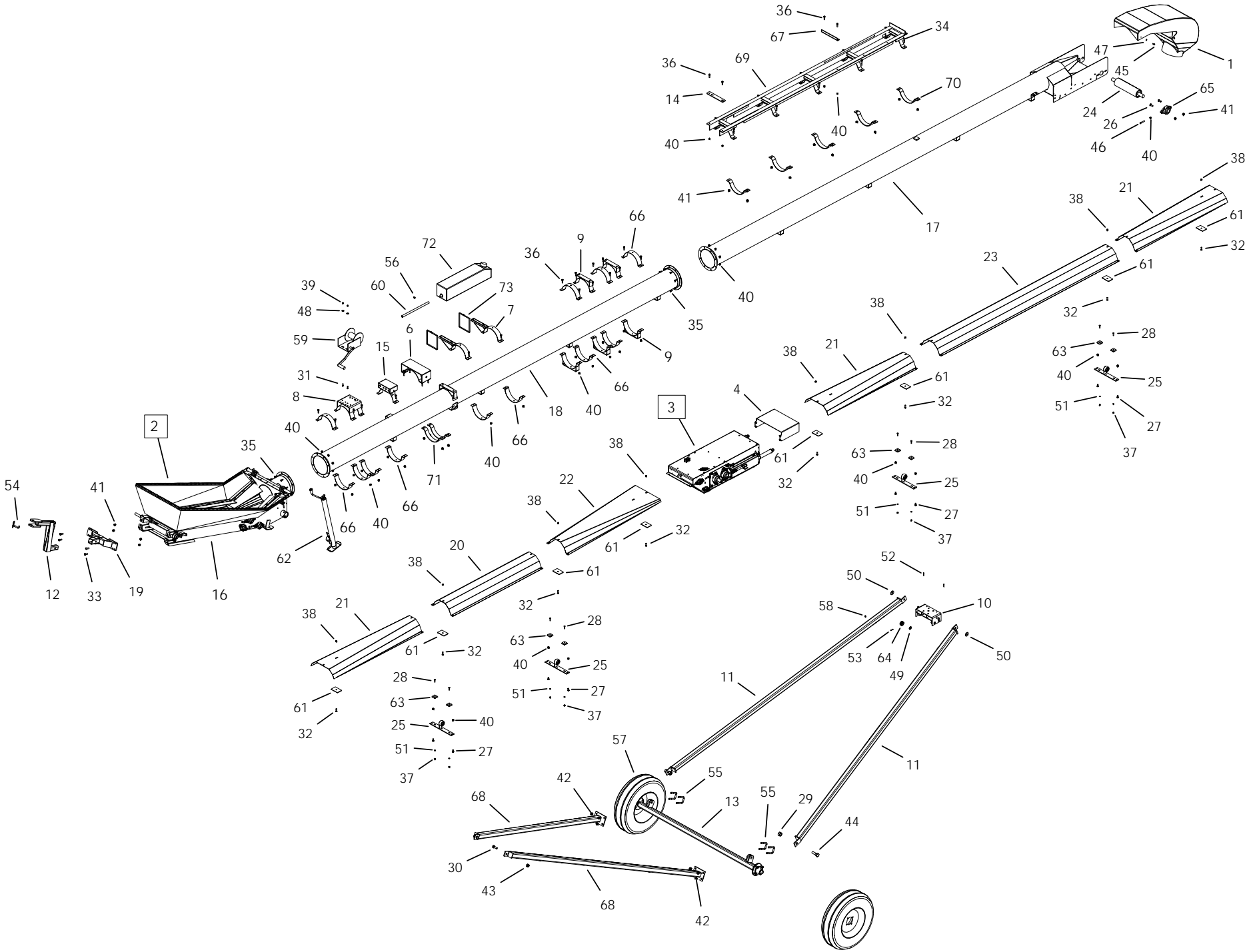
1535FL GAS DIRECT DRIVE KIT (15593120)

| ITEM | PART NO. | DESCRIPTION |
|------|-----------|--------------------------------------|
| 50 | 13060113 | ROCKER ARM PIVOT SHAFT |
| 51 | 13060114 | ROCKER ARM SLEEVE |
| 52 | P0712114 | THROTTLE CONTROL 15' |
| 53 | P0712102 | CHOKE CABLE-15' LOCKING |
| 54 | P1031113 | ENGINE 26.5HP KOHLER IGNITION SWITCH |
| 55 | P1210033 | 501 SHAFT GUARD PLUG |
| 56 | P0951013 | BATTERY 420CCA |
| 57 | P0951021 | BATTERY CABLE-37" |
| 58 | P0134008 | LOCKNUT-NYLON-1/2" |
| 59 | P2513003P | INSPECTION STEP BI-MOUNT PAINTED |
| 60 | P0183003 | U-BOLT 2-1/2" X 2-1/2" (5/8) PLATED |
| 61 | P0151011 | FLAT WASHER 5/8"PLATED USS |
| 62 | P01340101 | LOCKNUT-NYLON-5/8" GRADE 8 |
| 63 | P0115214 | BOLT FLANGE 7/16" X 1" PLATED |
| 64 | P0134107 | LOCKNUT-TENSILOCK-7/16" |
| 65 | P0118033 | BOLT 1/4" X 3/4" GR8 PLATED |
| 66 | P0152004 | LOCK WASHER 1/4"PLATED |
| 67 | P0151006 | FLAT WASHER 1/4"PLATED USS |
| 68 | P0118017 | BOLT 1/2"X2-1/2"GRADE 8 PLATED |
| 69 | P03210651 | BELT 2B65 BANDED |
| 70 | 13100028 | PIVOT HANDLE SHAFT |
| 71 | 13100035 | PIVOT HANDLE |
| 72 | P0321035 | BELT B35 |
| 73 | P0328055 | PULLEY-SNGL-BK-4"H |
| 74 | 13060104 | PUMP MOUNT -PINCH DRIVE |



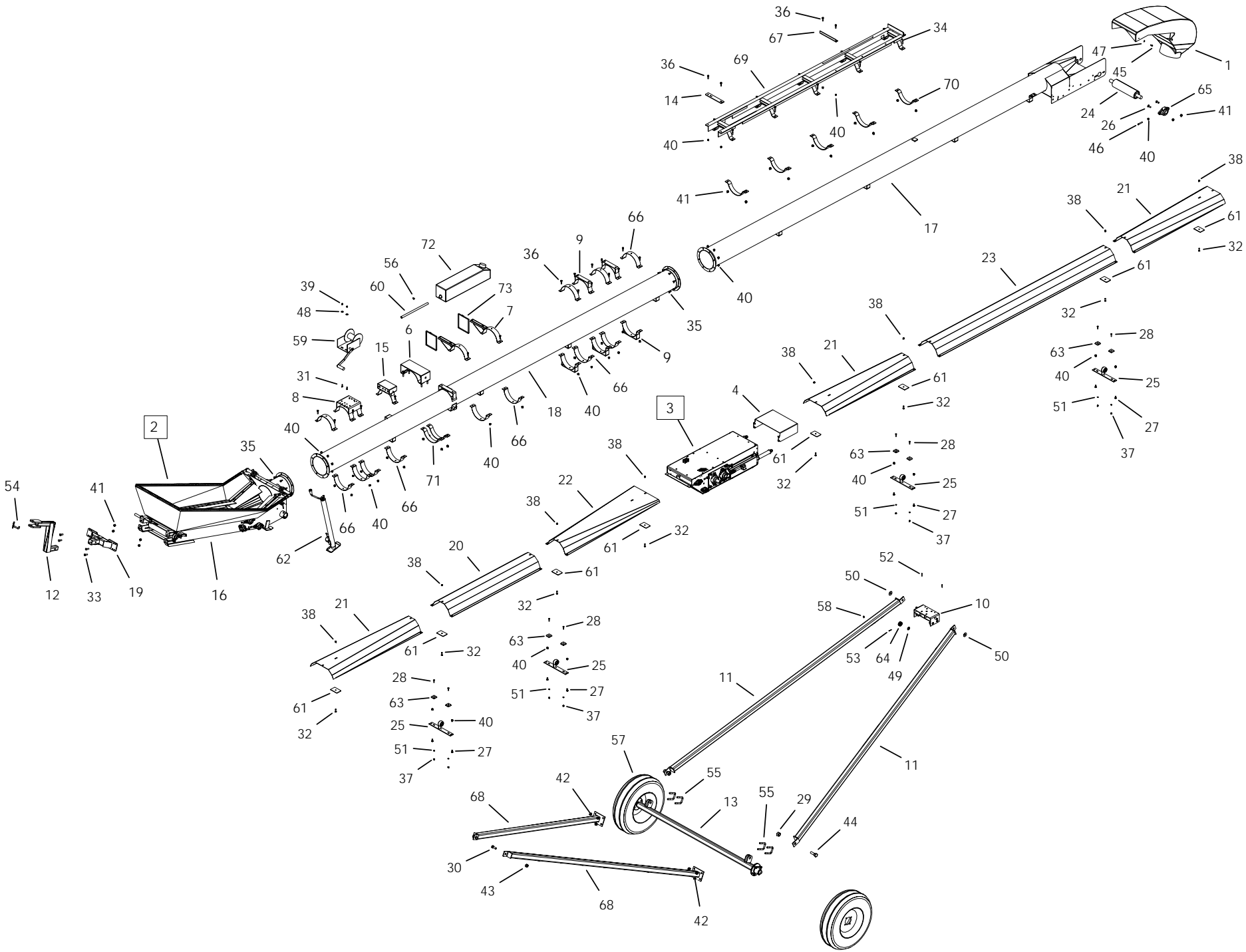
ELECTRIC DRIVE KIT (15593010)

| ITEM | PART NO. | DESCRIPTION |
|------|-----------|------------------------------------|
| 1 | 01010003 | BREATHER DIRECT DRIVE |
| 2 | 24041038 | SHAFT GUARD(FL-210) |
| 3 | 15590020 | S-DRIVE ASM W/PINCH |
| 4 | 13010048 | MOTOR MT OVERCENTER ANCHOR BKT |
| 5 | 13010054 | MOTOR MT OVERCENTER HANDLE |
| 6 | 13060074 | OVERCENTER ADJUSTER |
| 7 | 13060084 | A-FRAME OVERCENTER PULLROD |
| 8 | 13060102 | MOTOR MOUNT |
| 9 | 13060103 | SLIDER MOUNT |
| 10 | 13060105 | MOTOR MOUNT BACK PLATE |
| 11 | 13060107 | ENGINE GUARD BACK |
| 12 | 15020040 | BT HOPPER SECTION 10' WITH SD BKTS |
| 13 | 15040055 | PINCH GUARD SMALL ASSEMBLED |
| 14 | 15040056 | PINCH GUARD MED ASSEMBLED |
| 15 | 15591000 | GBOX 90 1:1 CW/CW 1-1/2 4190 W/OIL |
| 16 | P0114005 | TAP BOLT 1/2 X 2-1/2 GR.8 PLATED |
| 17 | P0118018 | BOLT 1/2" X 3" GR8 PLATED |
| 18 | P0118020 | BOLT 1/2" X 1-1/4" GR8 PLATED |
| 19 | P0118131 | BOLT 1/4" X 1" GR8 PLATED |
| 20 | P0118017 | BOLT 1/2"X2-1/2"GRADE 8 PLATED |
| 21 | P0118076 | BOLT 7/16"X1" GRADE 8 PLATED |
| 22 | P0118077 | BOLT 7/16"X1-1/2" GRADE 8 PLATED |
| 23 | P0134007 | LOCKNUT-NYLON-7/16" |
| 24 | P0134008 | LOCKNUT-NYLON-1/2" |
| 25 | P0151006 | FLAT WASHER 1/4"PLATED USS |
| 26 | P0152004 | LOCK WASHER 1/4"PLATED |
| 27 | P0152008 | LOCK WASHER 1/2"PLATED |
| 28 | P0161003 | COTTER PIN 3/16"X1-1/2"PLATED |
| 29 | P0321052 | BELT B52 |
| 30 | P0328018 | PULLEY-DBL-BK-4"H |
| 31 | P0328024 | PULLEY-DBL-12" W/1-1/2"BORE |
| 32 | P0328025 | PULLEY-DBL-6" W/1-1/2"BORE |
| 33 | P0328062 | PULLEY-DBL-10" W/1-1/2"BORE |
| 34 | P0328910 | IDLER-FLAT-4"TRPL 2-7/16"WIDE |
| 35 | P0340324 | HUB-H 1-1/2" |
| 36 | P0351019 | DNR-BUSHING 3/4"ODX1/2"IDX1"BRONZE |
| 37 | P0391002 | KEY 3/8" X 2" LONG |
| 38 | P0931004 | ELECTRIC MOTOR 10HP |
| 39 | P2219801P | U-CLAMP HANGER-10"X2-1/2"-BLACK |
| 40 | P03210651 | BELT 2B65 BANDED |



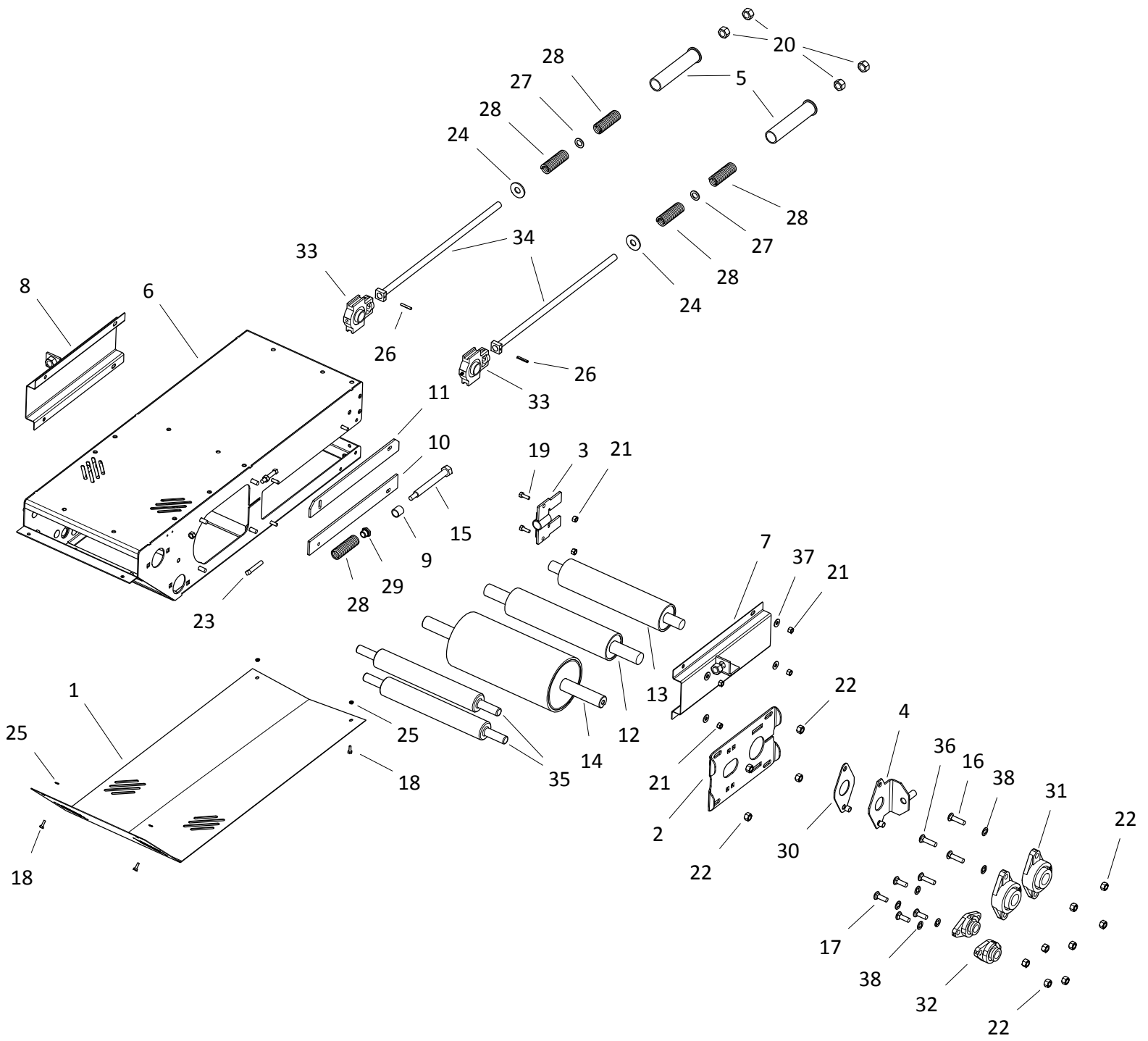
1545 FL-15504522

| ITEM | PART NO. | DESCRIPTION |
|------|-----------|-------------------------------------|
| 1 | P1211501 | HOOD-ROUND 15 SERIES (KANBAN) |
| 2 | 15000303P | HOPPER -COLLAPSABLE 1515 |
| 3 | 15590020 | S-DRIVE ASM W/PINCH |
| 4 | 15040040 | PINCH DRIVE FRONT GUARD |
| 5 | 13000139 | MOVER WHEEL MOVE DRIVE SYS.2.5 AXLE |
| 6 | 13010008 | SUSPENSION BRACKET-NO TABS |
| 7 | 13011038 | PLASTIC TANK SIDE MOUNT W 2.5" CLAM |
| 8 | 13011013 | WINCH MOUNT HD |
| 9 | 13011043 | PINCH S-DRIVE MOUNT BRACKET |
| 10 | 13030042 | 13/15 TRACK SLIDER |
| 11 | 13030048 | UPRIGHT ARM 45FL |
| 12 | 13030096 | FL Z-DROP TONGUE |
| 13 | 13030100 | AXLE 30-45-2-1/2" (WITH 8 LUGS) |
| 14 | 13032094 | 35/45 SMALL CABLE ATTACH |
| 15 | 13060080 | DIRECT DRV CONTROL BOX |
| 16 | 15000320 | HOPPER TYPE -TRANSFER |
| 17 | 15020047 | SPOUT SECTION 20' W/RTRN MOUNTS |
| 18 | 15020053 | UPPER CENTER 20' TUBE |
| 19 | 15030007 | HITCH FL (ONE PC) |
| 20 | 15042101 | WEATHER GUARD 5' - 61-1/2" |
| 21 | 15042102 | WEATHER GUARD 5' FLR - 61-1/2" |
| 22 | 15042103 | WEATHER GUARD 5' FLAT - 61-1/2" |
| 23 | 15042121 | WEATHER GUARD 10' - 121-1/2" |
| 24 | 15070009 | HOPPER/SPOUT ROLLER LAGGED |
| 25 | 150100911 | WEATHER GUARD MOUNT BAR KIT-POLY |
| 26 | P0113004 | CARRIAGE BOLT 1/2"X1-1/2"PLATED |
| 27 | P0113013 | CARRIAGE BOLT 7/16"X1" PLATED |
| 28 | P0113020 | CARRIAGE BOLT 5/16"X1-1/2"PLATED |
| 29 | P0118004 | BOLT 1" X 3" GR8 PLATED |
| 30 | P0115111 | BOLT 3/4" X 2" GR8 PLATED |
| 31 | P0118046 | BOLT 3/8" X 1" GR8 PLATED |
| 32 | P0115303 | CAPSCREW 3/8X1-1/4FLT HD SOCKET PTD |
| 33 | P0118013 | BOLT 1/2"X1 1/2" GR.8 PLATED |
| 34 | P0118017 | BOLT 1/2"X2-1/2"GRADE 8 PLATED |
| 35 | P0118076 | BOLT 7/16"X1" GRADE 8 PLATED |
| 36 | P0118077 | BOLT 7/16"X1-1/2" GRADE 8 PLATED |
| 37 | P0131017 | NUT 5/16" PLATED GRADE 8 |
| 38 | P0134026 | LOCKNUT-NYLON-3/8" GRADE 8 |
| 39 | P0134026 | LOCKNUT-NYLON-3/8" GRADE 8 |
| 40 | P0134007 | LOCKNUT-NYLON-7/16" |
| 41 | P0134008 | LOCKNUT-NYLON-1/2" |
| 42 | P01340101 | LOCKNUT-NYLON-5/8" GRADE 8 |
| 43 | P0134029 | LOCKNUT-NYLON-3/4" GRADE 8 |
| 44 | P0134030 | LOCKNUT-NYLON-1" GRADE 8 |
| 45 | P0141002 | TEK SCREW 1/4"X1" |
| 46 | P0145002 | SET SCREW-7/16"X2-1/2"SQ.HD. |



1545 FL-15504522

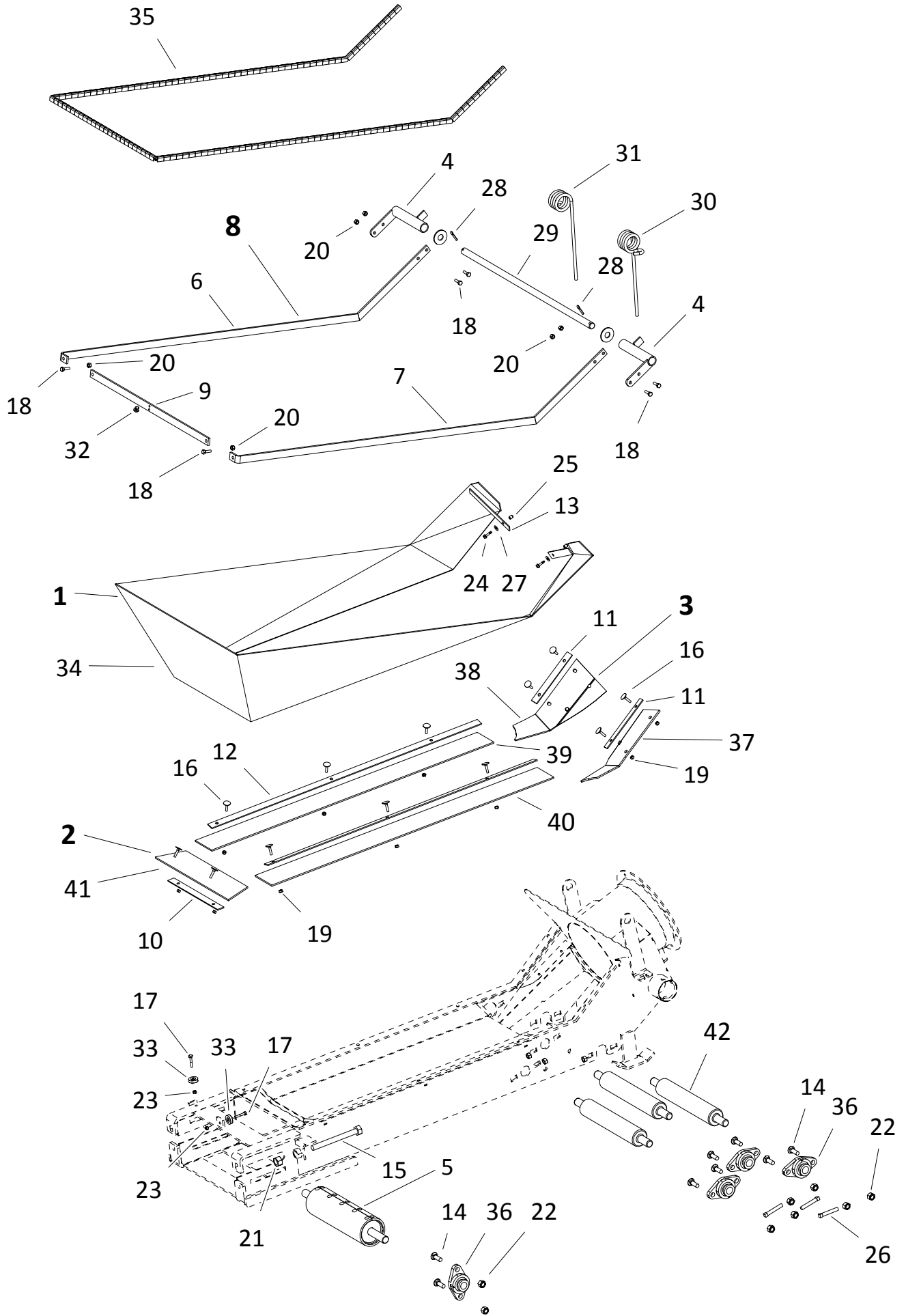
| ITEM | PART NO. | DESCRIPTION |
|------|------------|-------------------------------------|
| 47 | P0151006 | FLAT WASHER 1/4"PLATED USS |
| 48 | P0151009 | FLAT WASHER 3/8"PLATED USS |
| 49 | P0151026 | FLAT WASHER 3/4"SAE |
| 50 | P0151031 | FLAT WASHER 1"PLATED USS |
| 51 | P0152010 | LOCK WASHER 5/16"PLATED |
| 52 | P0161001 | Cotter Pin 1/4 x 2 |
| 53 | P0161002 | COTTER PIN 5/32X1-1/2"PLATED |
| 54 | P0162001 | HITCH PIN 1/2" X 3" PLATED |
| 55 | P0183003 | U-BOLT 2-1/2" X 2-1/2" (5/8) PLATED |
| 56 | P0184033 | WIRE HOSE CLAMP .500" |
| 57 | P0614301 | TIRE ASSEMBLY-15"X4.5"X4BOLT |
| 58 | P0712105 | CABLE CLAMP-5/16" GALV. |
| 59 | P0714103 | WINCH-2500# BRAKE |
| 60 | P0831008 | FUEL LINE-1/4"ID |
| 61 | P1010001 | UNI-MOUNT PLATE CAST |
| 62 | P1012010 | JACK-1000LB ROUND JACK (15" EXT) |
| 63 | P1210030 | BELT GUIDE BLOCK |
| 64 | P1211305 | ROLLER 2" NYLON |
| 65 | P1711001 | FLANGE UNIT-1-1/2"-SAFL208-24 |
| 66 | P2219801P | U-CLAMP HANGER-10"X2-1/2"-BLACK |
| 67 | 13032125 | BOLT ON ANGLE |
| 68 | 13030102 | AXLE ARM 30/35TD/45-2-1/2" |
| 69 | 13031019 | 55 TRACK |
| 70 | P2513202P | 2" U-CLAMP -PAINTED |
| 71 | P2513212P | 2" LOCKING U-CLAMP PAINTED |
| 72 | P021200051 | GAS TANK W/CAP W/FITTING-22L |
| 72 | 1200011 | CAP, FOR RESERVOIR & GAS TANK |
| 73 | P029900216 | GEAR CLAMP 32" |
| 74 | P1243001 | CABLE TIE 14" 120 LB |
| 75 | P2227989 | MANUAL HOLDER AND LID |
| 77 | P0711108 | CABLE-5/16" (44') (50740) |
| 78 | 15570452 | 1545FL 105' |
| 79 | P0712114 | THROTTLE CONTROL 15' |
| 80 | P0712102 | CHOKE CABLE-15' LOCKING |
| 81 | 155555300 | CASTOR TONGUE WHEEL (NOT SHOWN) |



S-DRIVE (15590020)

| ITEM | PART NO. | DESCRIPTION |
|------|-----------|-------------------------------------|
| 1 | 15040001 | PINCH SD BOTTOM GUARD |
| 2 | 15060061 | SD COVER PLATE 6-1/2"ROLLER |
| 3 | 15060027 | S-DRIVE TENSION INDICATOR |
| 4 | 15060082 | PINCH TIGHTENER PLATE |
| 5 | 15060504 | PRETENSIONER 1550 |
| 6 | 15061045 | S-DRIVE PINCH |
| 7 | 15061046 | SIDE GUARD LH |
| 8 | 15061047 | SIDE GUARD RH |
| 9 | 15062010 | PINCH PIPE |
| 10 | 15062179 | S-DRIVE SLIDER BOLT PLATE - BOTTOM |
| 11 | 15062180 | S-DRIVE SLIDER BOLT PLATE - TOP |
| 12 | 15070019 | 3-1/2"TAKE-UP (PINCH) |
| 13 | 15070020 | 3-1/2"TAKE-UP 19.5"SHAFT |
| 14 | 15070030 | DRIVE ROLLER-6-1/2" W/EXT SHAFT |
| 15 | P0113000 | SPRING TENSION BOLT |
| 16 | P0113001 | CARRIAGE BOLT 1/2"X2" PLATED |
| 17 | P0113004 | CARRIAGE BOLT 1/2"X1-1/2"PLATED |
| 18 | P0118033 | BOLT 1/4" X 3/4" GR8 PLATED |
| 19 | P0118046 | BOLT 3/8" X 1" GR8 PLATED |
| 20 | P0131019 | NUT 3/4" PLATED GRADE 8 |
| 21 | P0134026 | LOCKNUT-NYLON-3/8" GRADE 8 |
| 22 | P0134008 | LOCKNUT-NYLON-1/2" |
| 23 | P0145004 | SET SCREW-7/16"X1-1/2"SQ.HD.PLATED |
| 24 | P0151015 | FLAT WASHER 3/4"PLATED USS |
| 25 | P0152004 | LOCK WASHER 1/4"PLATED |
| 26 | P0167001 | SPRING PIN 1/4" X 1-1/2" |
| 27 | P0351015 | MACHINERY BUSH 3/4"X1-1/4"-14G PTD. |
| 28 | P0511008 | SPRING-LD-1300 SERIES |
| 29 | P0820129 | BUSHING BRASS FLANGED |
| 30 | P1210102 | BELT TIGHTENER SLIDER PLATE FL208 |
| 31 | P1711001 | FLANGE UNIT-1-1/2"-SAFL208-24 |
| 32 | P1711004 | FLANGE UNIT-1"-SAFL205-16 |
| 33 | P1721001 | TAKE-UP UNIT-1-1/4"-T206-20 |
| 34 | P2515006 | 15 S-DRIVE TIGHTENER BOLT |
| 35 | P20315001 | S-DRIVE RETURN-1" ROLLER |
| 36 | P0113003 | CARRIAGE BOLT 1/2"X2-1/2"PLATED |
| 37 | P0151009 | FLAT WASHER 3/8"PLATED USS |
| 38 | P0151037 | FLAT WASHER 0.531 SQUARE-1.00-0.060 |

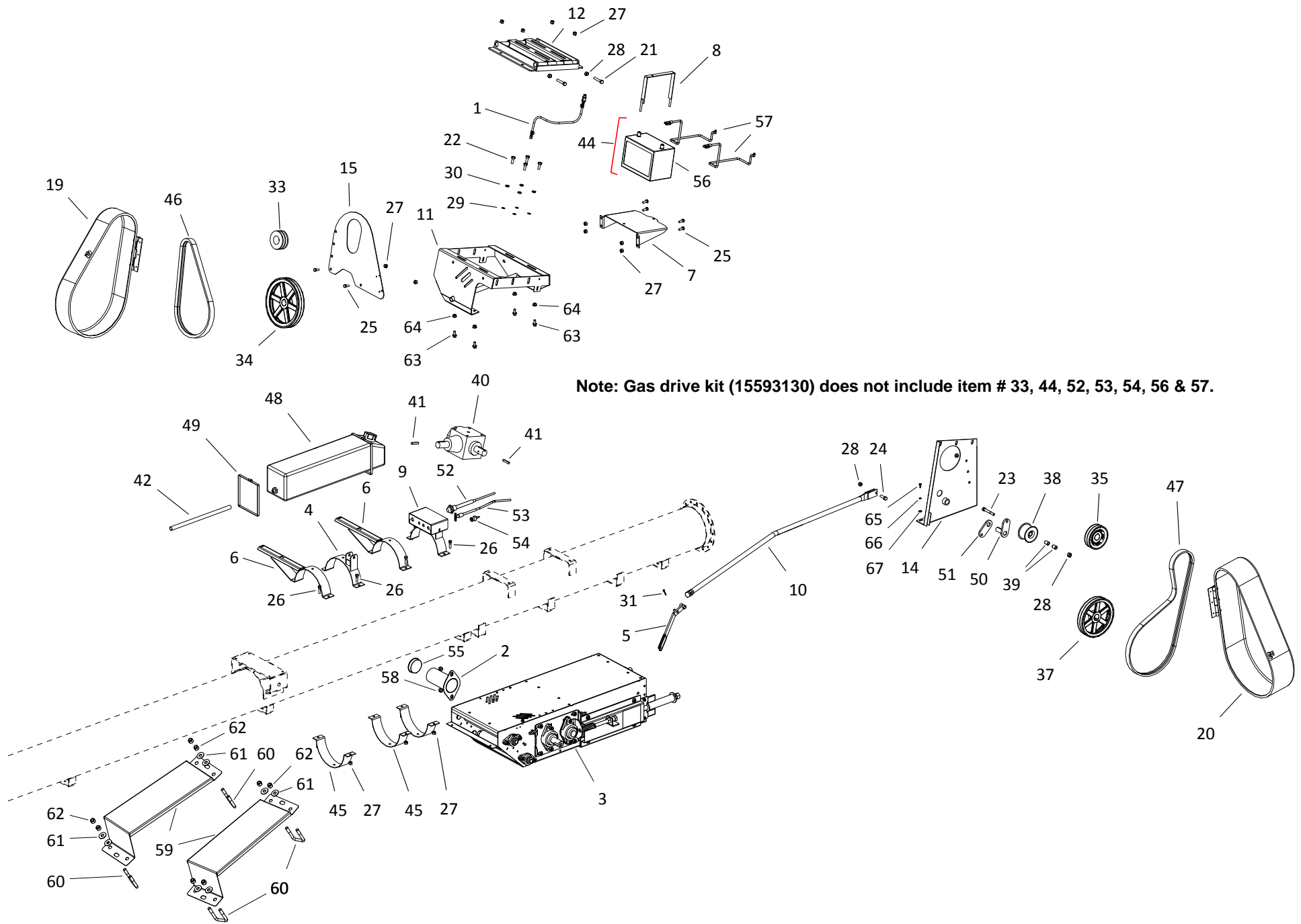
HOPPER (15000303P)



HOPPER (15000303P)

| ITEM | PART NO. | DESCRIPTION |
|------|-----------|----------------------------------|
| 1 | 15000303P | HOPPER -COLLAPSABLE 1515 |
| 2 | 15000307P | HOPPER LINER KIT 1515LP |
| 3 | 15000308P | HOPPER -FLASHING ONLY 1515LP |
| 4 | 15050010 | PIVOT SHAFT RIGHT |
| 5 | 15070012 | TAKE-UP ROLLER-1-1/4" LAGGED |
| 6 | 15100001 | UPPER CLOTH FRAME TR RIGHT |
| 7 | 15100002 | UPPER CLOTH FRAME TR LEFT |
| 8 | 15100021 | HOPPER CLOTH FRAME-UPPER 1515LP |
| 9 | 15102052 | UPPER CLOTH FRAME TR FRONT |
| 10 | 15102058 | LOWER CLOTH FRAME TR FRONT |
| 11 | 15102059 | LOWER CLOTH FRAME TR TRANSITION |
| 12 | 15102060 | LOWER CLOTH FRAME TR SIDE |
| 13 | 15102061 | LOWER CLOTH FRAME TR BACK |
| 14 | P0113004 | CARRIAGE BOLT 1/2"X1-1/2"PLATED |
| 15 | P0114007 | TAP BOLT 3/4 X 7 PLATED |
| 16 | P0116001 | ELEVATOR BOLT 1/4"X1-1/4" |
| 17 | P0118026 | BOLT 1/4" X 1-1/2" GR8 PLATED |
| 18 | P0118061 | BOLT 5/16" X 1" GR8 PLATED |
| 19 | P0131016 | NUT 1/4" PLATED GRADE 8 |
| 20 | P0131017 | NUT 5/16" PLATED GRADE 8 |
| 21 | P0131112 | NUT 3/4"PLATED |
| 22 | P0134008 | LOCKNUT-NYLON-1/2" |
| 23 | P0134023 | LOCKNUT-NYLON-1/4" GR8 |
| 24 | P0141002 | TEK SCREW 1/4"X1" |
| 25 | P0145001 | VINYL SCREW CAP |
| 26 | P0145002 | SET SCREW-7/16"X2-1/2"SQ.HD. |
| 27 | P0151006 | FLAT WASHER 1/4"PLATED USS |
| 28 | P0161003 | COTTER PIN 3/16"X1-1/2"PLATED |
| 29 | P0162007 | HOPPER PIVOT SHAFT-13/15 |
| 30 | P0521001 | HOPPER SPRING-L |
| 31 | P0521002 | HOPPER SPRING-R |
| 32 | P0712104 | CABLE CLAMP-1/8" GALV. |
| 33 | P0713104 | CABLE SHEAVE-1-1/4" W/BEARING |
| 34 | P1621010 | HOPPER CANVAS 1515LP |
| 35 | P1641015 | TRIM LOCK |
| 36 | P1711002 | FLANGE UNIT-1-1/4"-SAFL206-20 |
| 37 | P19159010 | TRANSITION FLASHING LEFT 15S FL |
| 38 | P19159011 | TRANSITION FLASHING RIGHT 15S FL |
| 39 | P19159008 | FL HOPPER FLASHING LH |
| 40 | P19159009 | FL HOPPER FLASHING RH |
| 41 | P19159012 | FRONT HOPPER FLASHING |
| 42 | P20315002 | TRANSITION ROLLER |

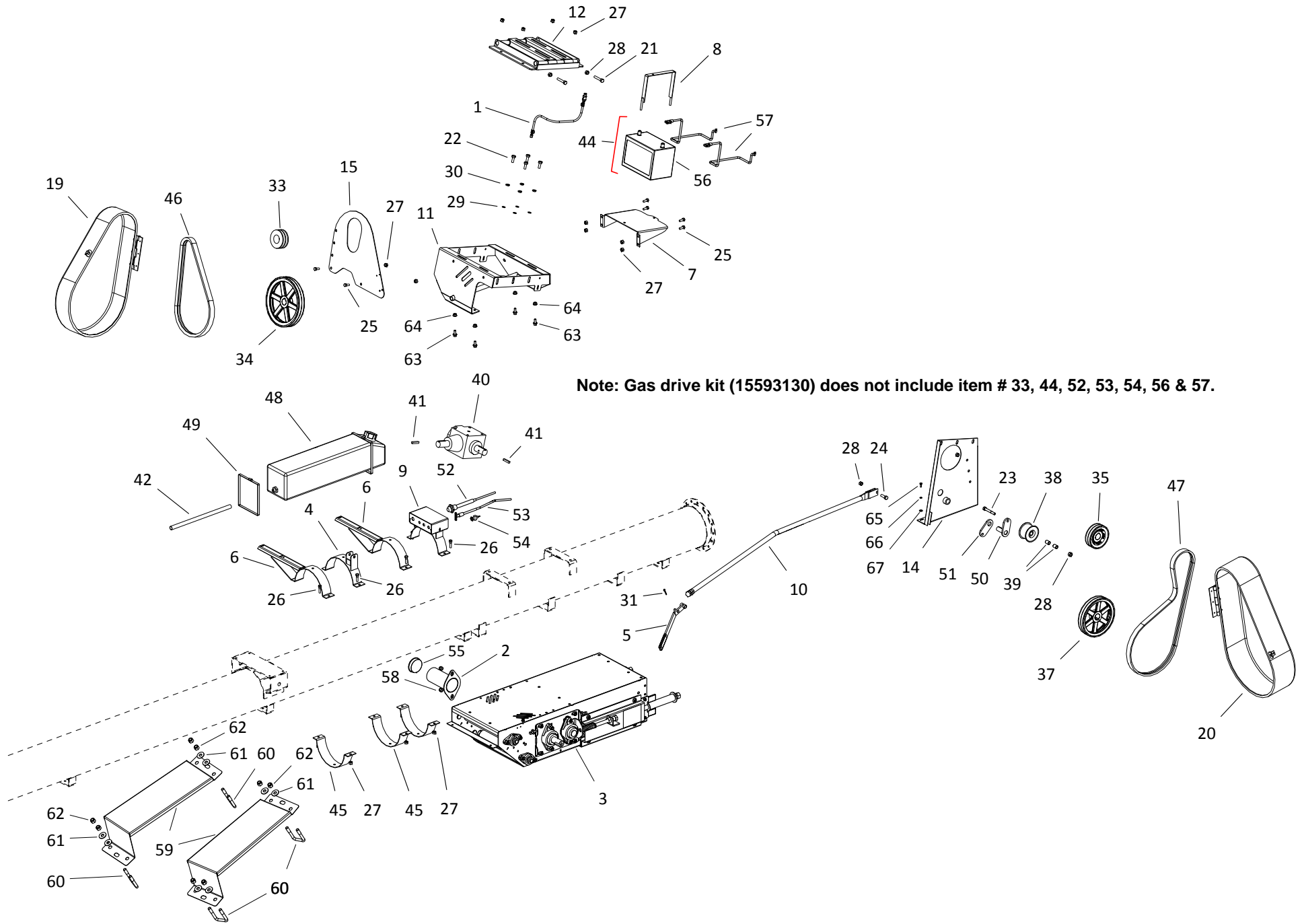
1545FL GAS DIRECT DRIVE KIT (15593130)



1545FL GAS DIRECT DRIVE KIT (15593130)

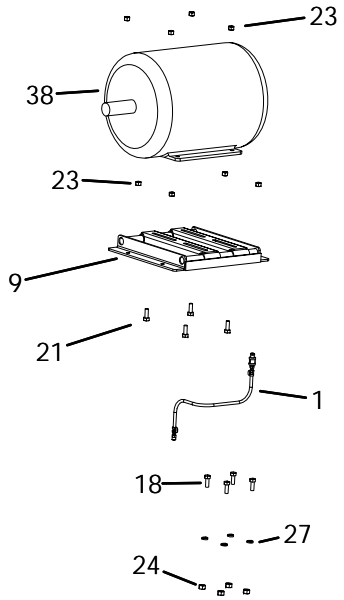
| ITEM | PART NO. | DESCRIPTION |
|------|------------|-------------------------------------|
| 1 | 01010003 | BREATHER DIRECT DRIVE |
| 2 | 24041038 | SHAFT GUARD(FL-210) |
| 3 | 15590020 | S-DRIVE ASM W/PINCH |
| 4 | 13010048 | MOTOR MT OVERCENTER ANCHOR BKT |
| 5 | 13010054 | MOTOR MT OVERCENTER HANDLE |
| 6 | 13011038 | PLASTIC TANK SIDE MOUNT W 2.5" CLAM |
| 7 | 13012108 | MOTOR MOUNT BATTERY MOUNT |
| 8 | 13060054 | BATTERY CLAMP |
| 9 | 13060080 | DIRECT DRV CONTROL BOX |
| 10 | 13060084 | A-FRAME OVERCENTER PULLROD |
| 11 | 13060102 | MOTOR MOUNT |
| 12 | 13060103 | SLIDER MOUNT |
| 14 | 13060105 | MOTOR MOUNT BACK PLATE |
| 15 | 13060107 | ENGINE GUARD BACK |
| 19 | 15040055 | PINCH GUARD SMALL ASSEMBLED |
| 20 | 15040056 | PINCH GUARD MED ASSEMBLED |
| 21 | P0114005 | TAP BOLT 1/2 X 2-1/2 GR.8 PLATED |
| 22 | P0118020 | BOLT 1/2" X 1-1/4" GR8 PLATED |
| 23 | P0118019 | BOLT 1/2" X 3-1/2" GR8 PLATED |
| 24 | P0118013 | BOLT 1/2"X1 1/2" GR.8 PLATED |
| 25 | P0118076 | BOLT 7/16"X1" GRADE 8 PLATED |
| 26 | P0118077 | BOLT 7/16"X1-1/2" GRADE 8 PLATED |
| 27 | P0134007 | LOCKNUT-NYLON-7/16" |
| 28 | P0134008 | LOCKNUT-NYLON-1/2" |
| 29 | P0151029 | FLAT WASHER 1/2"PLATED USS |
| 30 | P0152008 | LOCK WASHER 1/2"PLATED |
| 31 | P0161003 | COTTER PIN 3/16"X1-1/2"PLATED |
| 32 | P0321035 | BELT B35 |
| 33 | P0328018 | PULLEY-DBL-BK-4"H |
| 34 | P0328024 | PULLEY-DBL-12" W/1-1/2"BORE |
| 35 | P0328025 | PULLEY-DBL-6" W/1-1/2"BORE |
| 37 | P0328062 | PULLEY-DBL-10" W/1-1/2"BORE |
| 38 | P0328910 | IDLER-FLAT-4"TRPL 2-7/16"WIDE |
| 39 | P0351019 | DNR-BUSHING 3/4"ODX1/2"IDX1"BRONZE |
| 40 | 15591001 | GBOX 90 2:1 CW/CW 1-1/2 4190 W/OIL |
| 41 | P0391002 | KEY 3/8" X 2" LONG |
| 42 | P0831008 | FUEL LINE-1/4"ID |
| 44 | 13000260 | BATTERY AND CABLE PKG. |
| 45 | P2219801P | U-CLAMP HANGER-10"X2-1/2"-BLACK |
| 46 | P03210531 | BELT 2B53 BANDED |
| 47 | P03210651 | BELT 2B65 BANDED |
| 48 | P021200051 | GAS TANK W/CAP W/FITTING-22L |
| 48 | 1200011 | CAP, FOR RESERVOIR & GAS TANK |
| 49 | P029900216 | GEAR CLAMP 32" |
| 50 | 13060113 | ROCKER ARM PIVOT SHAFT |
| 51 | 13060114 | ROCKER ARM SLEEVE |

1545FL GAS DIRECT DRIVE KIT (15593130)

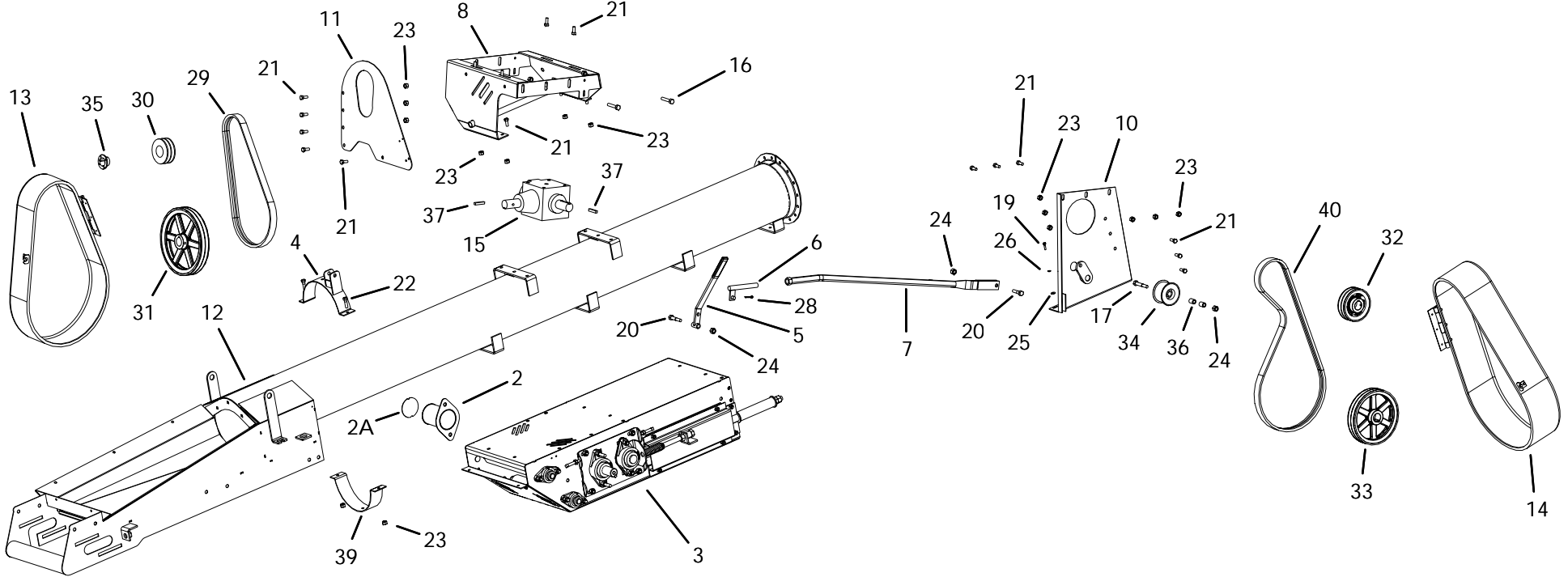


1545FL GAS DIRECT DRIVE KIT (15593130)

| ITEM | PART NO. | DESCRIPTION |
|------|-----------|--------------------------------------|
| 52 | P0712114 | THROTTLE CONTROL 15' |
| 53 | P0712102 | CHOKE CABLE-15' LOCKING |
| 54 | P1031113 | ENGINE 26.5HP KOHLER IGNITION SWITCH |
| 55 | P1210033 | 501 SHAFT GUARD PLUG |
| 56 | P0951013 | BATTERY 420CCA |
| 57 | P0951021 | BATTERY CABLE-37" |
| 58 | P0134008 | LOCKNUT-NYLON-1/2" |
| 59 | P2513003P | INSPECTION STEP BI-MOUNT PAINTED |
| 60 | P0183003 | U-BOLT 2-1/2" X 2-1/2" (5/8) PLATED |
| 61 | P0151011 | FLAT WASHER 5/8"PLATED USS |
| 62 | P01340101 | LOCKNUT-NYLON-5/8" GRADE 8 |
| 63 | P0115214 | BOLT FLANGE 7/16" X 1" PLATED |
| 64 | P0134107 | LOCKNUT-TENSILOCK-7/16" |
| 65 | P0118033 | BOLT 1/4" X 3/4" GR8 PLATED |
| 66 | P0152004 | LOCK WASHER 1/4"PLATED |
| 67 | P0151006 | FLAT WASHER 1/4"PLATED USS |

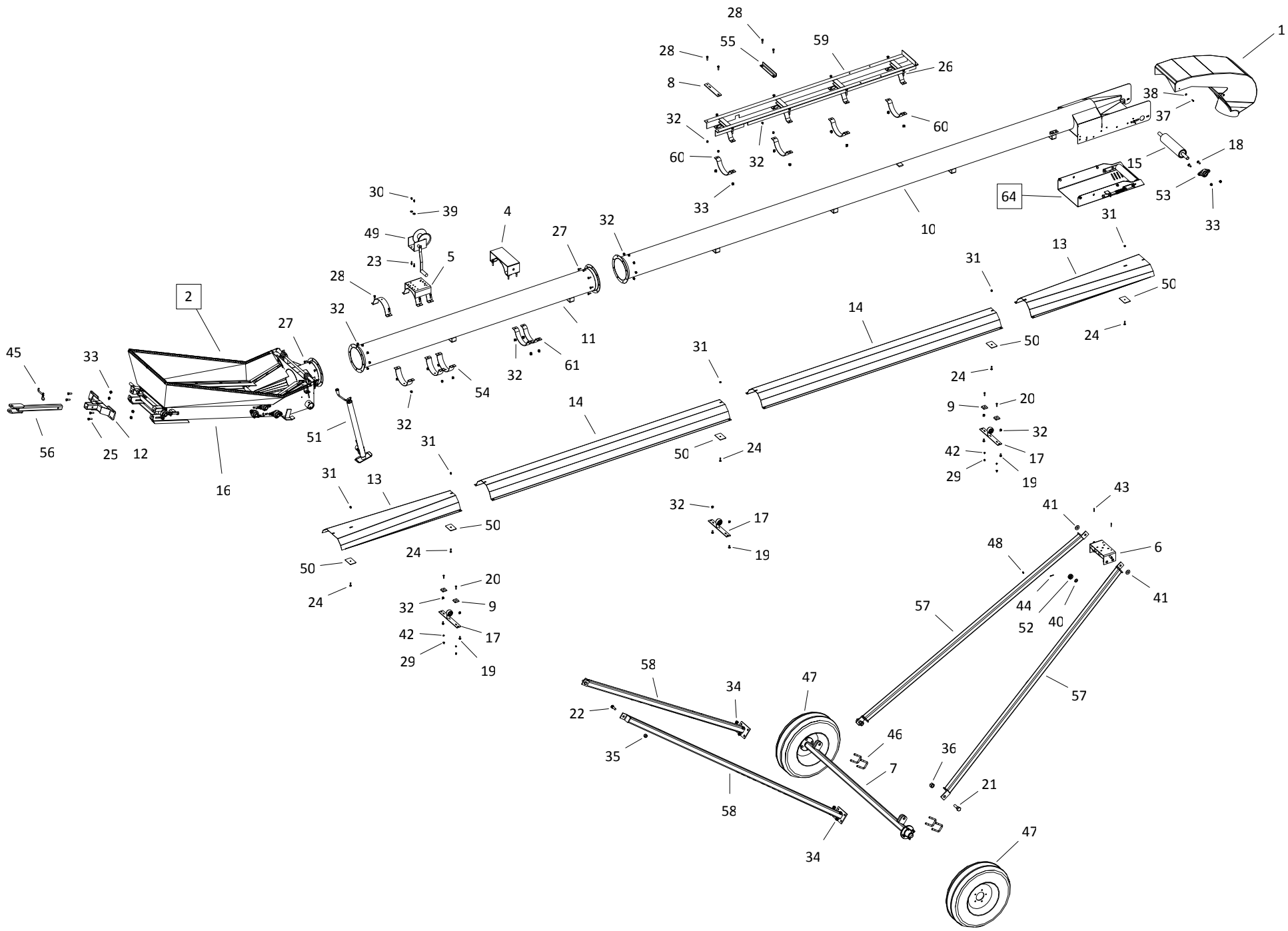


Note: Electric drive kit (15593010) does not include Item # 30, 38.



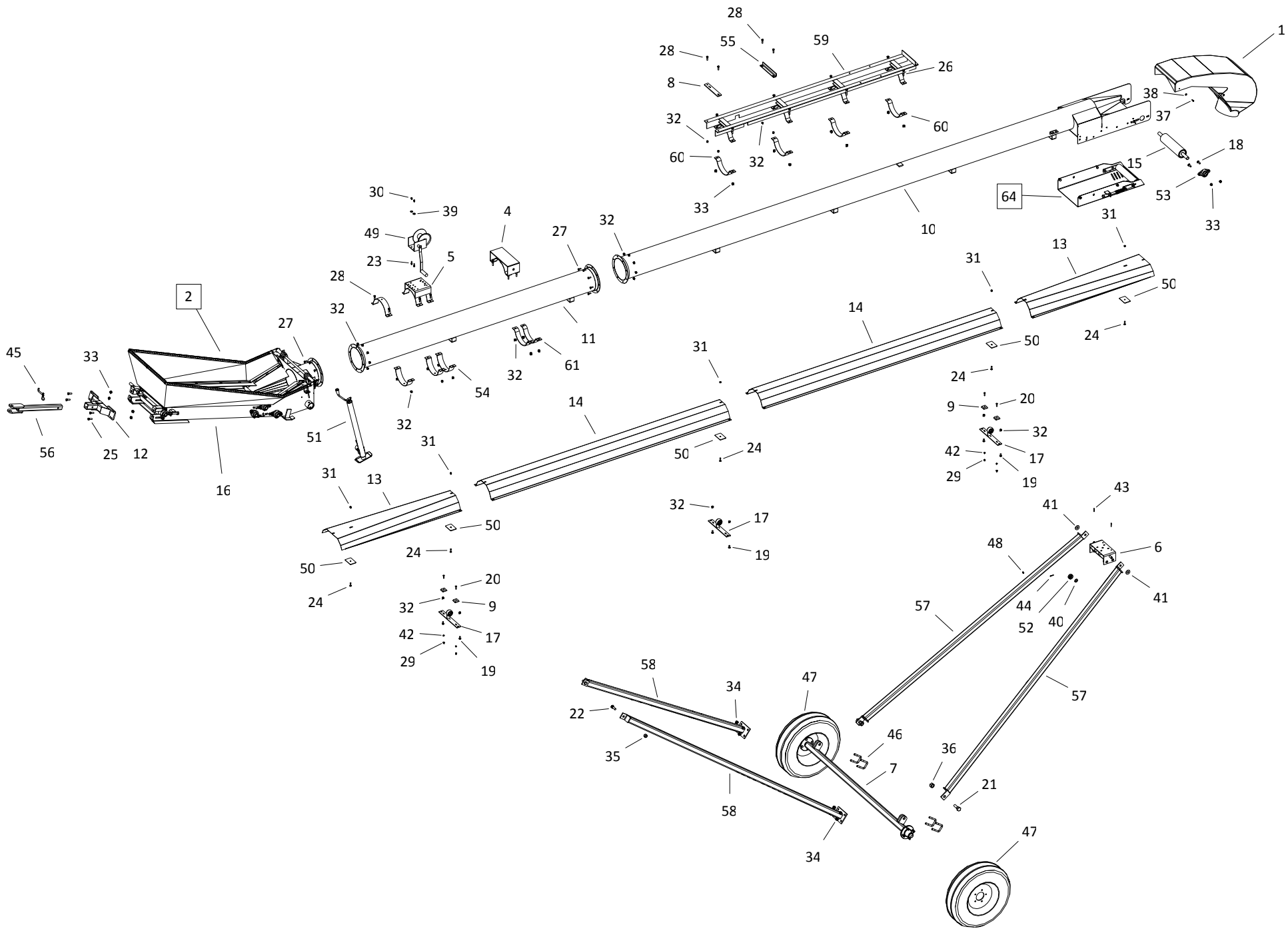
ELECTRIC DRIVE KIT (15593010)

| ITEM | PART NO. | DESCRIPTION |
|------|-----------|------------------------------------|
| 1 | 01010003 | BREATHER DIRECT DRIVE |
| 2 | 24041038 | SHAFT GUARD(FL-210) |
| 3 | 15590020 | S-DRIVE ASM W/PINCH |
| 4 | 13010048 | MOTOR MT OVERCENTER ANCHOR BKT |
| 5 | 13010054 | MOTOR MT OVERCENTER HANDLE |
| 6 | 13060074 | OVERCENTER ADJUSTER |
| 7 | 13060084 | A-FRAME OVERCENTER PULLROD |
| 8 | 13060102 | MOTOR MOUNT |
| 9 | 13060103 | SLIDER MOUNT |
| 10 | 13060105 | MOTOR MOUNT BACK PLATE |
| 11 | 13060107 | ENGINE GUARD BACK |
| 12 | 15020040 | BT HOPPER SECTION 10' WITH SD BKTS |
| 13 | 15040055 | PINCH GUARD SMALL ASSEMBLED |
| 14 | 15040056 | PINCH GUARD MED ASSEMBLED |
| 15 | 15591000 | GBOX 90 1:1 CW/CW 1-1/2 4190 W/OIL |
| 16 | P0114005 | TAP BOLT 1/2 X 2-1/2 GR.8 PLATED |
| 17 | P0118018 | BOLT 1/2" X 3" GR8 PLATED |
| 18 | P0118020 | BOLT 1/2" X 1-1/4" GR8 PLATED |
| 19 | P0118131 | BOLT 1/4" X 1" GR8 PLATED |
| 20 | P0118017 | BOLT 1/2"X2-1/2"GRADE 8 PLATED |
| 21 | P0118076 | BOLT 7/16"X1" GRADE 8 PLATED |
| 22 | P0118077 | BOLT 7/16"X1-1/2" GRADE 8 PLATED |
| 23 | P0134007 | LOCKNUT-NYLON-7/16" |
| 24 | P0134008 | LOCKNUT-NYLON-1/2" |
| 25 | P0151006 | FLAT WASHER 1/4"PLATED USS |
| 26 | P0152004 | LOCK WASHER 1/4"PLATED |
| 27 | P0152008 | LOCK WASHER 1/2"PLATED |
| 28 | P0161003 | COTTER PIN 3/16"X1-1/2"PLATED |
| 29 | P0321052 | BELT B52 |
| 30 | P0328018 | PULLEY-DBL-BK-4"H |
| 31 | P0328024 | PULLEY-DBL-12" W/1-1/2"BORE |
| 32 | P0328025 | PULLEY-DBL-6" W/1-1/2"BORE |
| 33 | P0328062 | PULLEY-DBL-10" W/1-1/2"BORE |
| 34 | P0328910 | IDLER-FLAT-4"TRPL 2-7/16"WIDE |
| 35 | P0340324 | HUB-H 1-1/2" |
| 36 | P0351019 | DNR-BUSHING 3/4"ODX1/2"IDX1"BRONZE |
| 37 | P0391002 | KEY 3/8" X 2" LONG |
| 38 | P0931004 | ELECTRIC MOTOR 10HP |
| 39 | P2219801P | U-CLAMP HANGER-10"X2-1/2"-BLACK |
| 40 | P03210651 | BELT 2B65 BANDED |



1535 FL TD-15503541

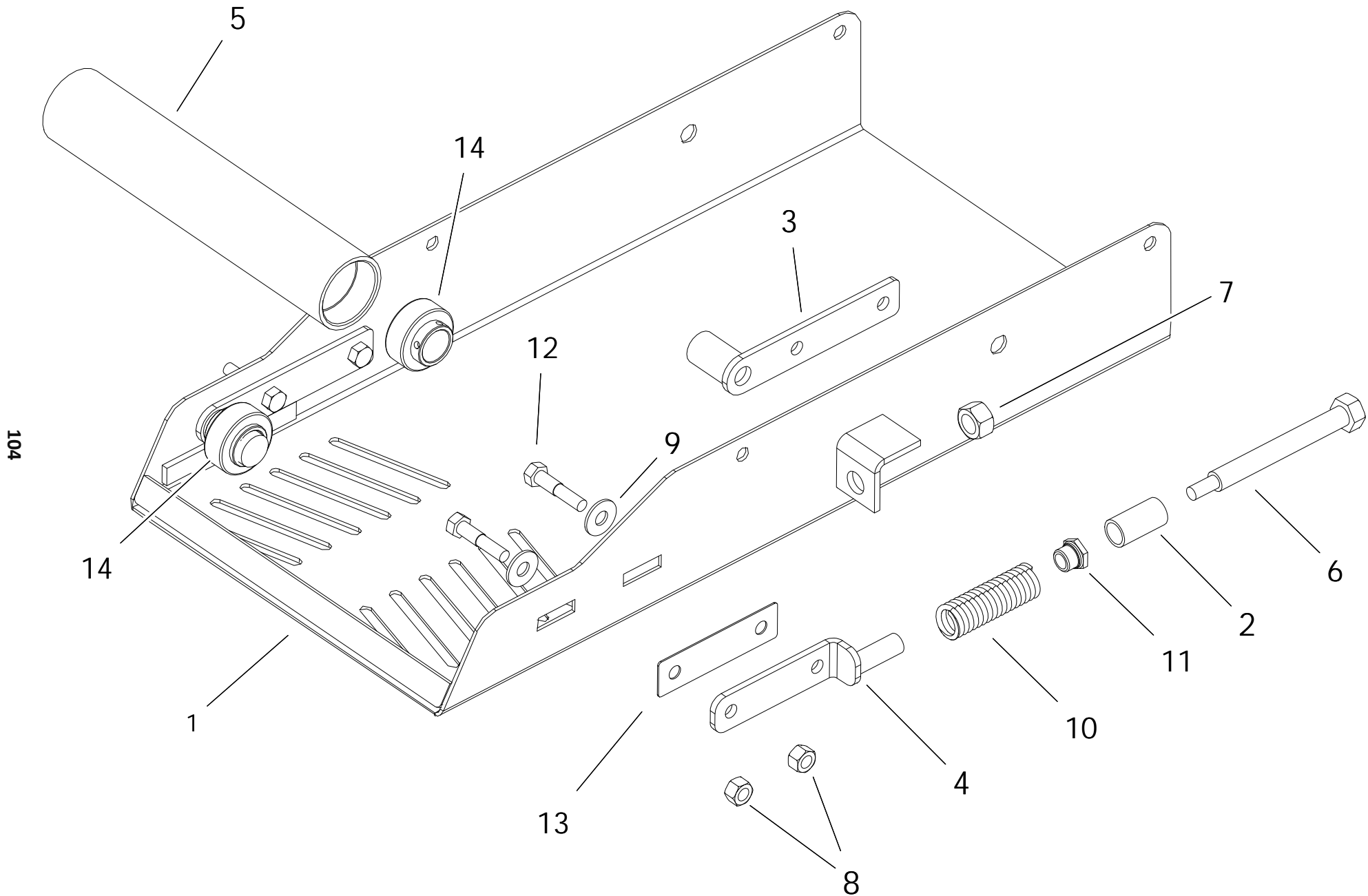
| ITEM | PART NO. | DESCRIPTION |
|------|-----------|-------------------------------------|
| 1 | P1211501 | HOOD-ROUND 15 SERIES (KANBAN) |
| 2 | 15000303P | HOPPER -COLLAPSABLE 1515 |
| 3 | 13000139 | MOVER WHEEL MOVE DRIVE SYS.2.5 AXLE |
| 4 | 13010008 | SUSPENSION BRACKET-NO TABS |
| 5 | 13011013 | WINCH MOUNT HD |
| 6 | 13030042 | 13/15 TRACK SLIDER |
| 7 | 13030100 | AXLE 30-45-2-1/2" (WITH 8 LUGS) |
| 8 | 13032094 | 35/45 SMALL CABLE ATTACH |
| 9 | P1210030 | BELT GUIDE BLOCK |
| 10 | 15020047 | SPOUT SECTION 20' W/RTRN MOUNTS |
| 11 | 15020054 | UPPER CENTER TUBE 10' |
| 12 | 15030007 | HITCH FL (ONE PC) |
| 13 | 15042102 | WEATHER GUARD 5' FLR - 61-1/2" |
| 14 | 15042121 | WEATHER GUARD 10' - 121-1/2" |
| 15 | 15070013 | SPOUT DRIVE ROLLER-1-1/4" LAGGED |
| 16 | 15100031 | 1500 FL Bottom |
| 17 | 150100911 | WEATHER GUARD MOUNT BAR KIT-POLY |
| 18 | P0113001 | CARRIAGE BOLT 1/2"X2" PLATED |
| 19 | P0113013 | CARRIAGE BOLT 7/16"X1" PLATED |
| 20 | P0113020 | CARRIAGE BOLT 5/16"X1-1/2"PLATED |
| 21 | P0118004 | BOLT 1" X 3" GR8 PLATED |
| 22 | P0115111 | BOLT 3/4" X 2" GR8 PLATED |
| 23 | P0118046 | BOLT 3/8" X 1" GR8 PLATED |
| 24 | P0115303 | CAPSCREW 3/8X1-1/4FLT HD SOCKET PTD |
| 25 | P0118013 | BOLT 1/2"X1 1/2" GR.8 PLATED |
| 26 | P0118017 | BOLT 1/2"X2-1/2"GRADE 8 PLATED |
| 27 | P0118076 | BOLT 7/16"X1" GRADE 8 PLATED |
| 28 | P0118077 | BOLT 7/16"X1-1/2" GRADE 8 PLATED |
| 29 | P0131017 | NUT 5/16" PLATED GRADE 8 |
| 30 | P0134026 | LOCKNUT-NYLON-3/8" GRADE 8 |
| 31 | P0134026 | LOCKNUT-NYLON-3/8" GRADE 8 |
| 32 | P0134007 | LOCKNUT-NYLON-7/16" |
| 33 | P0134008 | LOCKNUT-NYLON-1/2" |
| 34 | P01340101 | LOCKNUT-NYLON-5/8" GRADE 8 |
| 35 | P0134029 | LOCKNUT-NYLON-3/4" GRADE 8 |
| 36 | P0134030 | LOCKNUT-NYLON-1" GRADE 8 |
| 37 | P0141002 | TEK SCREW 1/4"X1" |
| 38 | P0151006 | FLAT WASHER 1/4"PLATED USS |
| 39 | P0151009 | FLAT WASHER 3/8"PLATED USS |
| 40 | P0151026 | FLAT WASHER 3/4"SAE |
| 41 | P0151031 | FLAT WASHER 1"PLATED USS |
| 42 | P0152010 | LOCK WASHER 5/16"PLATED |
| 43 | P0161001 | Cotter Pin 1/4 x 2 |
| 44 | P0161002 | COTTER PIN 5/32X1-1/2"PLATED |
| 45 | P0162001 | HITCH PIN 1/2" X 3" PLATED |
| 46 | P0183003 | U-BOLT 2-1/2" X 2-1/2" (5/8) PLATED |



1535 FL TD-15503541

| ITEM | PART NO. | DESCRIPTION |
|------|-----------|----------------------------------|
| 47 | P0614301 | TIRE ASSEMBLY-15"X4.5"X4BOLT |
| 48 | P0712105 | CABLE CLAMP-5/16" GALV. |
| 49 | P0714102 | WINCH-1500# BRAKE |
| 50 | P1010001 | UNI-MOUNT PLATE CAST |
| 51 | P1012010 | JACK-1000LB ROUND JACK (15" EXT) |
| 52 | P1211305 | ROLLER 2" NYLON |
| 53 | P1711002 | FLANGE UNIT-1-1/4"-SAFL206-20 |
| 54 | P2219801P | U-CLAMP HANGER-10"X2-1/2"-BLACK |
| 55 | 13032125 | BOLT ON ANGLE |
| 56 | 13030001 | STRAIGHT TONGUE |
| 57 | 13030053 | 1330TD/1335FL Upright Arms |
| 58 | 13030102 | AXLE ARM 30/35TD/45-2-1/2" |
| 59 | 13031020 | 13/15 4 BAND TRACK |
| 60 | P2513202P | 2" U-CLAMP -PAINTED |
| 61 | P2513212P | 2" LOCKING U-CLAMP PAINTED |
| 62 | P1243001 | CABLE TIE 14" 120 LB |
| 63 | P2227989 | MANUAL HOLDER AND LID |
| 64 | 15597000 | SPOUT PINCH RLLR KIT |
| 65 | P0711108 | CABLE-5/16" (44') (50740) |
| 66 | 15570353 | 1535FLTD 80' 5" |
| 67 | 15570350 | 1535TD 70' 2" |

SPOUT PINCH ROLLER KIT (15597000)

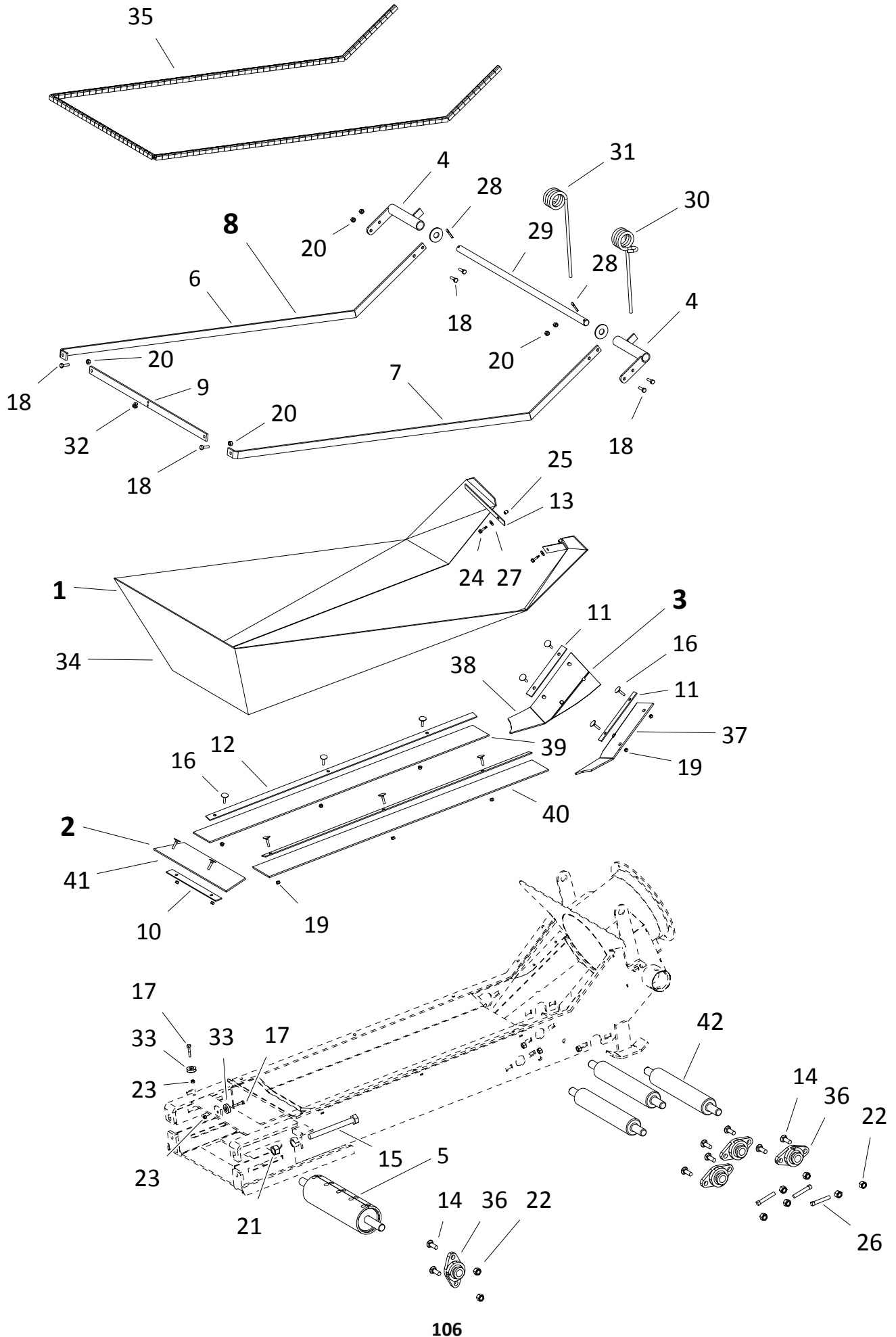


104

SPOUT PINCH ROLLER KIT (15597000)

| ITEM | PART NO. | DESCRIPTION |
|------|-----------|---|
| 1 | 15061020 | TD PINCH MOUNT |
| 2 | 15062110 | TD PINCH PIPE |
| 3 | 15070026 | ROLLER MOUNT |
| 4 | 15070027 | PUSH BAR |
| 5 | 15072025 | SPOUT PINCH PIPE |
| 6 | P0113000 | SPRING TENSION BOLT |
| 7 | P0131019 | NUT 3/4" PLATED GRADE 8 |
| 8 | P0134008 | LOCKNUT-NYLON-1/2" |
| 9 | P0151025 | FLAT WASHER 1/2" PLATED USS |
| 10 | P0511008 | SPRING-LD-1300 SERIES |
| 11 | P0820129 | BUSHING BRASS FLANGED |
| 12 | P01180161 | BOLT 1/2" X 2-1/4" GR8 PLATED |
| 13 | P1211023 | TD PINCH SLIDER PLATE |
| 14 | P1742005 | BEARING-1-1/4" W/SET SCREWS-FLAT |
| 15 | P0351010 | MACHINERY BUSHING 7/8" MEDIUM (NOT SHOWN) |

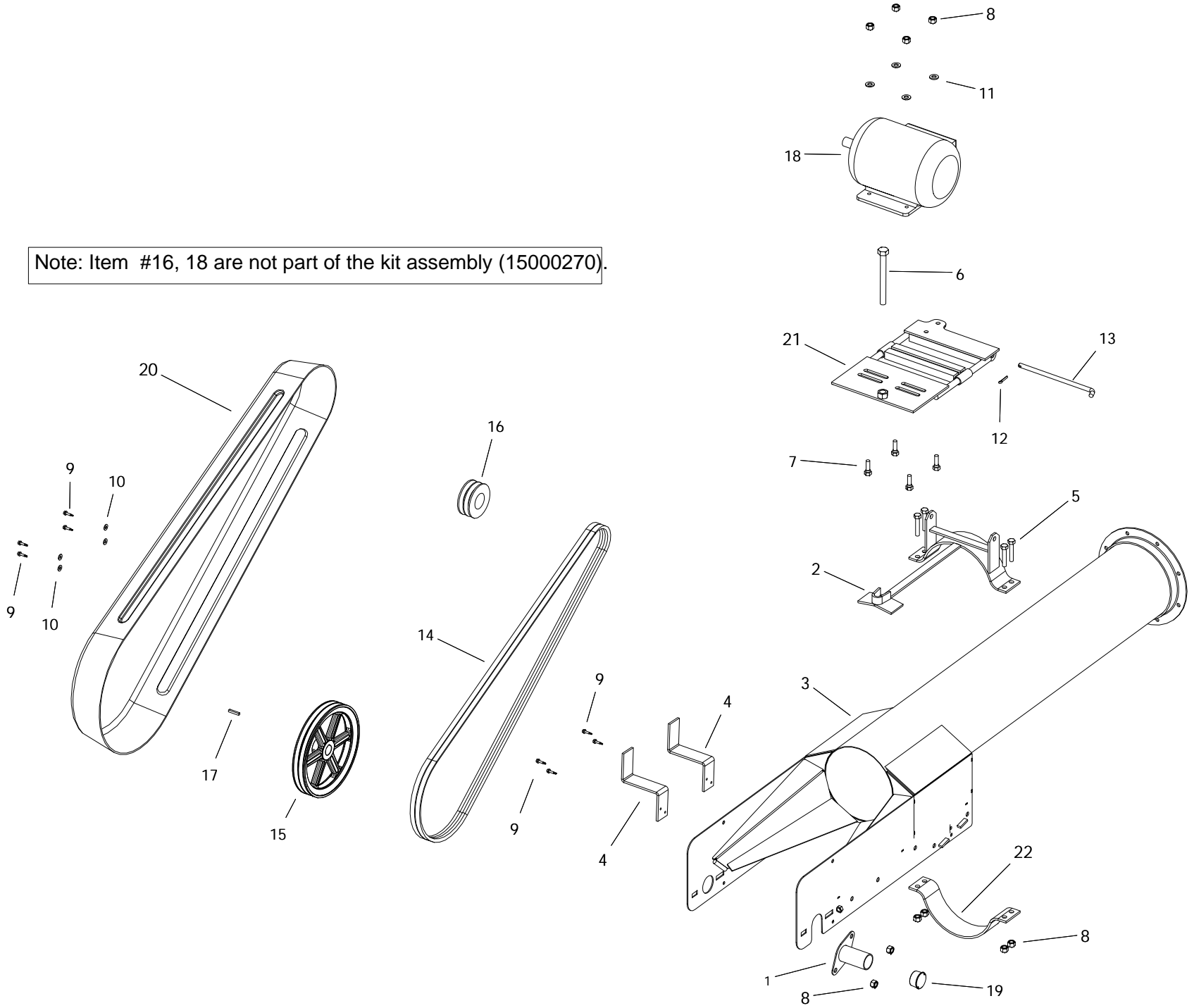
HOPPER (15000303P)



HOPPER (15000303P)

| ITEM | PART NO. | DESCRIPTION |
|------|-----------|----------------------------------|
| 1 | 15000303P | HOPPER -COLLAPSABLE 1515 |
| 2 | 15000307P | HOPPER LINER KIT 1515LP |
| 3 | 15000308P | HOPPER -FLASHING ONLY 1515LP |
| 4 | 15050010 | PIVOT SHAFT RIGHT |
| 5 | 15070012 | TAKE-UP ROLLER-1-1/4" LAGGED |
| 6 | 15100001 | UPPER CLOTH FRAME TR RIGHT |
| 7 | 15100002 | UPPER CLOTH FRAME TR LEFT |
| 8 | 15100021 | HOPPER CLOTH FRAME-UPPER 1515LP |
| 9 | 15102052 | UPPER CLOTH FRAME TR FRONT |
| 10 | 15102058 | LOWER CLOTH FRAME TR FRONT |
| 11 | 15102059 | LOWER CLOTH FRAME TR TRANSITION |
| 12 | 15102060 | LOWER CLOTH FRAME TR SIDE |
| 13 | 15102061 | LOWER CLOTH FRAME TR BACK |
| 14 | P0113004 | CARRIAGE BOLT 1/2"X1-1/2"PLATED |
| 15 | P0114007 | TAP BOLT 3/4 X 7 PLATED |
| 16 | P0116001 | ELEVATOR BOLT 1/4"X1-1/4" |
| 17 | P0118026 | BOLT 1/4" X 1-1/2" GR8 PLATED |
| 18 | P0118061 | BOLT 5/16" X 1" GR8 PLATED |
| 19 | P0131016 | NUT 1/4" PLATED GRADE 8 |
| 20 | P0131017 | NUT 5/16" PLATED GRADE 8 |
| 21 | P0131112 | NUT 3/4"PLATED |
| 22 | P0134008 | LOCKNUT-NYLON-1/2" |
| 23 | P0134023 | LOCKNUT-NYLON-1/4" GR8 |
| 24 | P0141002 | TEK SCREW 1/4"X1" |
| 25 | P0145001 | VINYL SCREW CAP |
| 26 | P0145002 | SET SCREW-7/16"X2-1/2"SQ.HD. |
| 27 | P0151006 | FLAT WASHER 1/4"PLATED USS |
| 28 | P0161003 | COTTER PIN 3/16"X1-1/2"PLATED |
| 29 | P0162007 | HOPPER PIVOT SHAFT-13/15 |
| 30 | P0521001 | HOPPER SPRING-L |
| 31 | P0521002 | HOPPER SPRING-R |
| 32 | P0712104 | CABLE CLAMP-1/8" GALV. |
| 33 | P0713104 | CABLE SHEAVE-1-1/4" W/BEARING |
| 34 | P1621010 | HOPPER CANVAS 1515LP |
| 35 | P1641015 | TRIM LOCK |
| 36 | P1711002 | FLANGE UNIT-1-1/4"-SAFL206-20 |
| 37 | P19159010 | TRANSITION FLASHING LEFT 15S FL |
| 38 | P19159011 | TRANSITION FLASHING RIGHT 15S FL |
| 39 | P19159008 | FL HOPPER FLASHING LH |
| 40 | P19159009 | FL HOPPER FLASHING RH |
| 41 | P19159012 | FRONT HOPPER FLASHING |
| 42 | P20315002 | TRANSITION ROLLER |

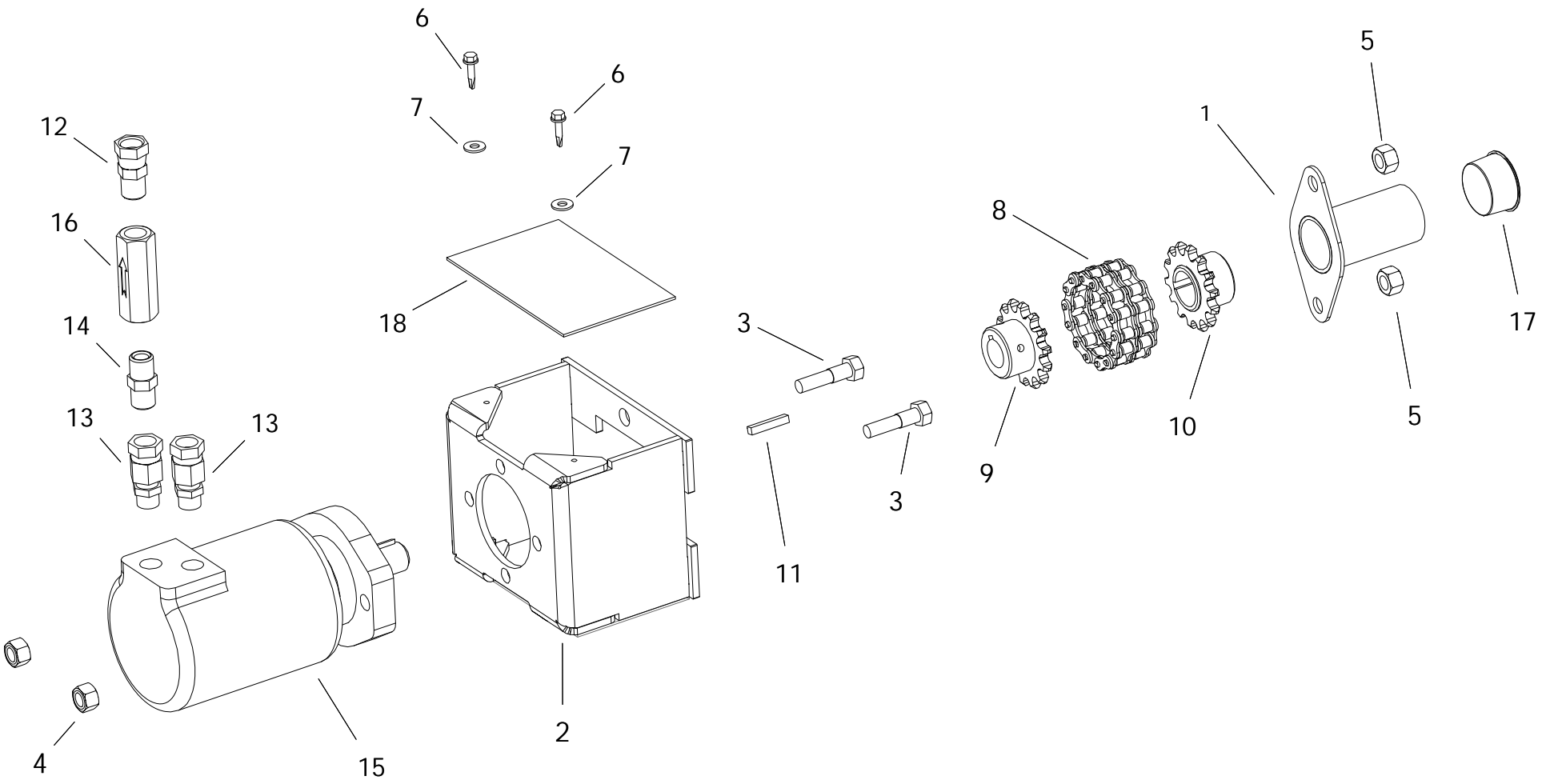
Note: Item #16, 18 are not part of the kit assembly (15000270).



ELECTRIC DRIVE KIT (15000270)

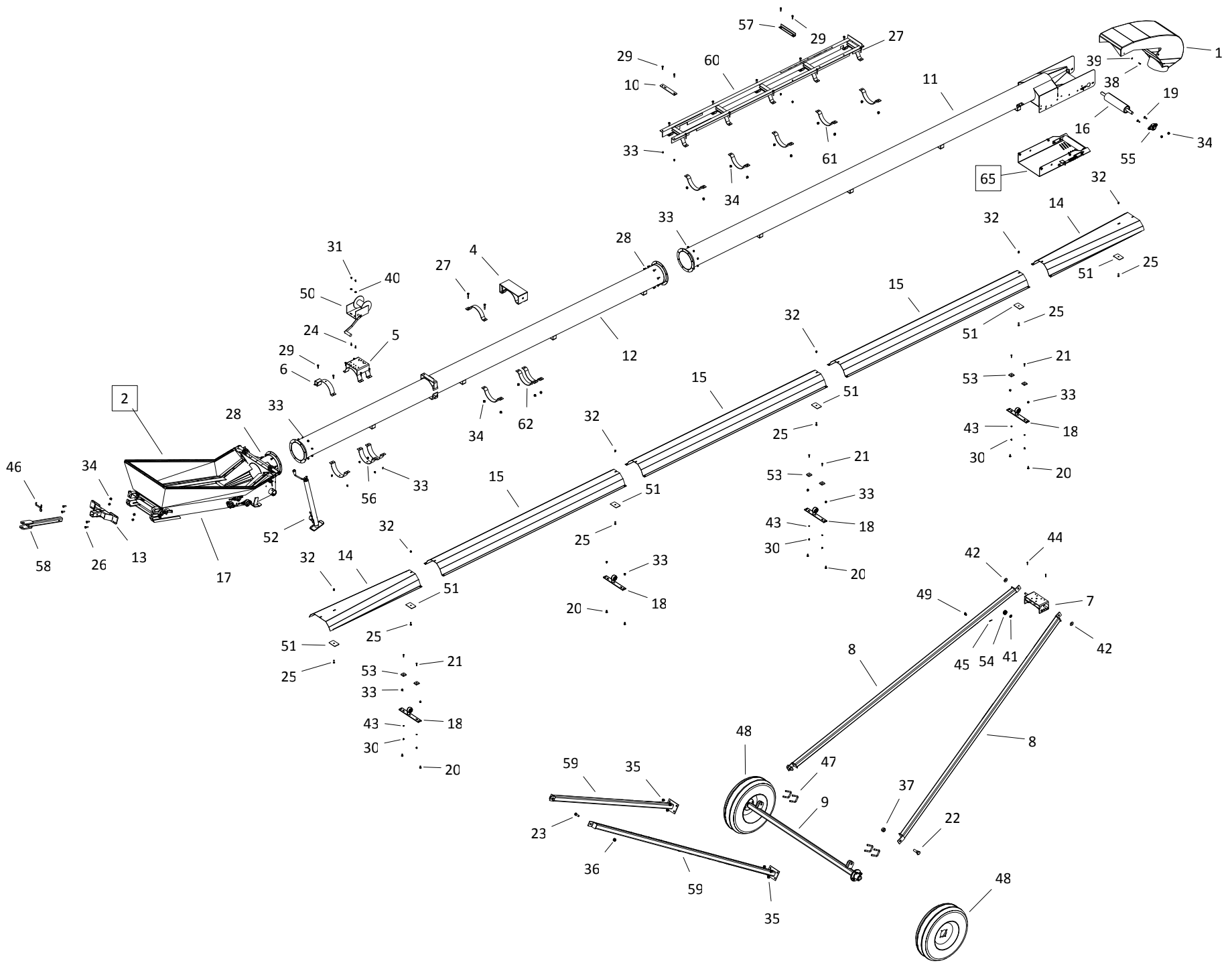
| ITEM | PART NO. | DESCRIPTION |
|------|-----------|----------------------------------|
| 1 | 13041038 | SHAFT GUARD(FL-206) |
| 2 | 13060004 | ELECTRIC MOTOR CLAMP |
| 3 | 15020006 | TRANSFER SPOUT 60" |
| 4 | 25013011 | PIT GUARD MOUNT |
| 5 | P0114005 | TAP BOLT 1/2 X 2-1/2 GR.8 PLATED |
| 6 | P0114007 | TAP BOLT 3/4 X 7 PLATED |
| 7 | P0118017 | BOLT 1/2"X2-1/2"GRADE 8 PLATED |
| 8 | P0134008 | LOCKNUT-NYLON-1/2" |
| 9 | P0141002 | TEK SCREW 1/4"X1" |
| 10 | P0151006 | FLAT WASHER 1/4"PLATED USS |
| 11 | P0151025 | FLAT WASHER 1/2" PLATED USS |
| 12 | P0161003 | COTTER PIN 3/16"X1-1/2"PLATED |
| 13 | P0162005 | PIN-ELECT.MTR.MNT-SHORT |
| 14 | P0321103 | BELT B103 |
| 15 | P0328007 | PULLEY-DBL-B-12" W/1-1/4"BORE |
| 16 | P0328018 | PULLEY-DBL-BK-4"H |
| 17 | P0391003 | KEY 1/4" X 1-1/2" LONG |
| 18 | P0931020 | MOTOR 5HP |
| 19 | P1210032 | FL-206 SHAFT GUARD PLUG |
| 20 | P1211803 | PIT GUARD |
| 21 | 13060037 | ELECTRIC MOTOR MOUNT BASE |
| 22 | P2513203P | 3" U-CLAMP PAINTED |

HYDRAULIC DRIVE KIT FOR 1814LP & TD (18000281)



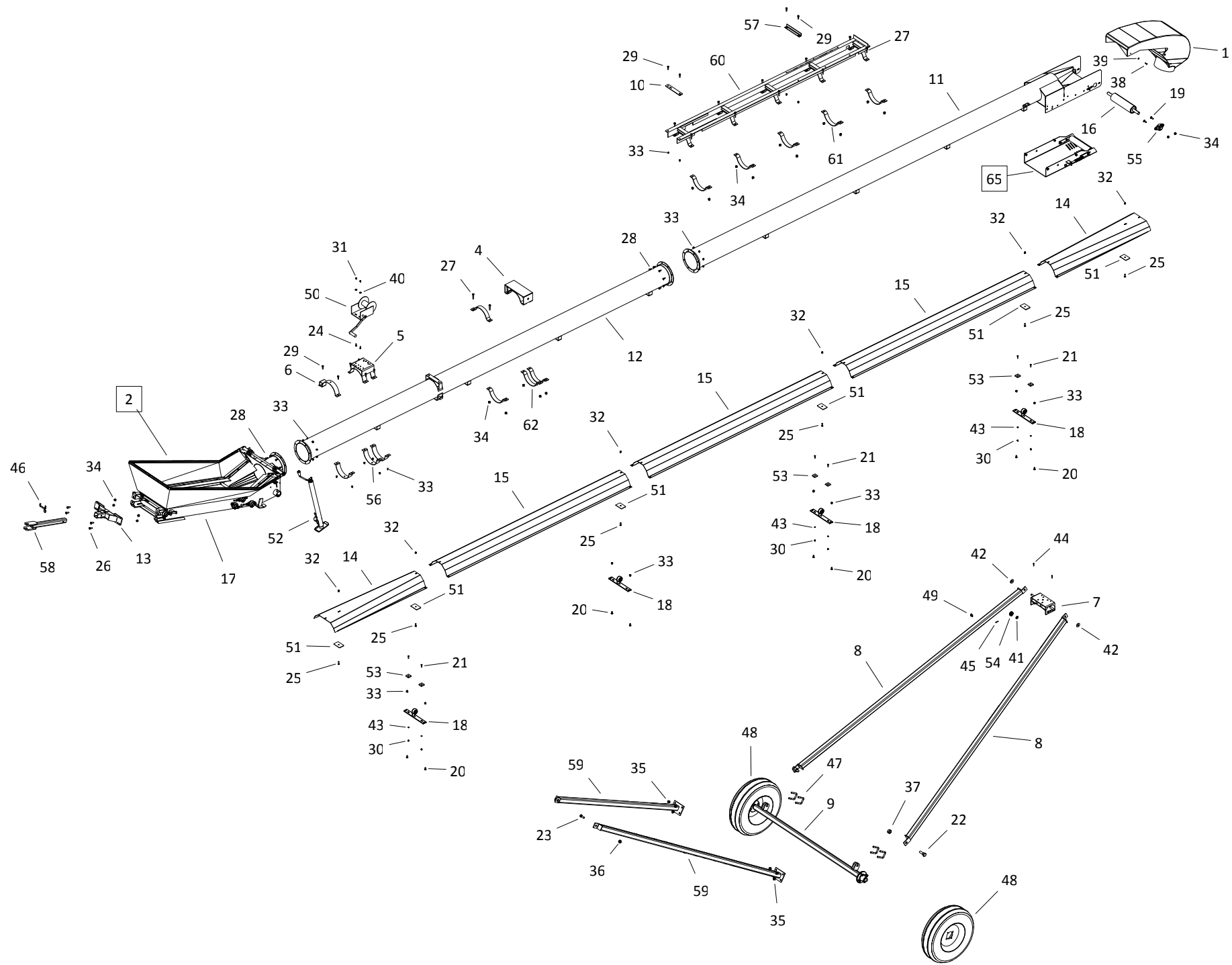
HYDRAULIC DRIVE KIT FOR 1814LP & TD (18000281)

| ITEM | PART NO. | DESCRIPTION |
|------|----------|-------------------------------------|
| 1 | 13041038 | SHAFT GUARD(FL-206) |
| 2 | 25060003 | 2000 SERIES PITSTOP MOUNT |
| 3 | P0118016 | BOLT 1/2" X 2" GR8 PLATED |
| 4 | P0134008 | LOCKNUT-NYLON-1/2" |
| 5 | P0134008 | LOCKNUT-NYLON-1/2" |
| 6 | P0141002 | TEK SCREW 1/4"X1" |
| 7 | P0151006 | FLAT WASHER 1/4"PLATED USS |
| 8 | P0311001 | ROLLER CHAIN FOR DRIVE(50-2RX14+CL) |
| 9 | P0335140 | SPROCKET 5014 1.0(KEY0.25) |
| 10 | P0335141 | SPROCKET 5014 1.25(KEY0.25) |
| 11 | P0391003 | KEY 1/4" X 1-1/2" LONG |
| 12 | P0821112 | SWIVEL-1/2" STRAIGHT |
| 13 | P0821114 | SWIVEL-10ORBX1/2"FS |
| 14 | P0821133 | HEX NIPPLE-1/2" |
| 15 | P0841019 | HYD MOTOR-6.2-2000-1" |
| 16 | P0861035 | CHECK VALVE-1/2" (NO HOLE) |
| 17 | P1210032 | FL-206 SHAFT GUARD PLUG |
| 18 | P1210100 | 1 1/4 HYDMTR GUARD 4.5 X 6.5 |



1545 FL TD-15504541

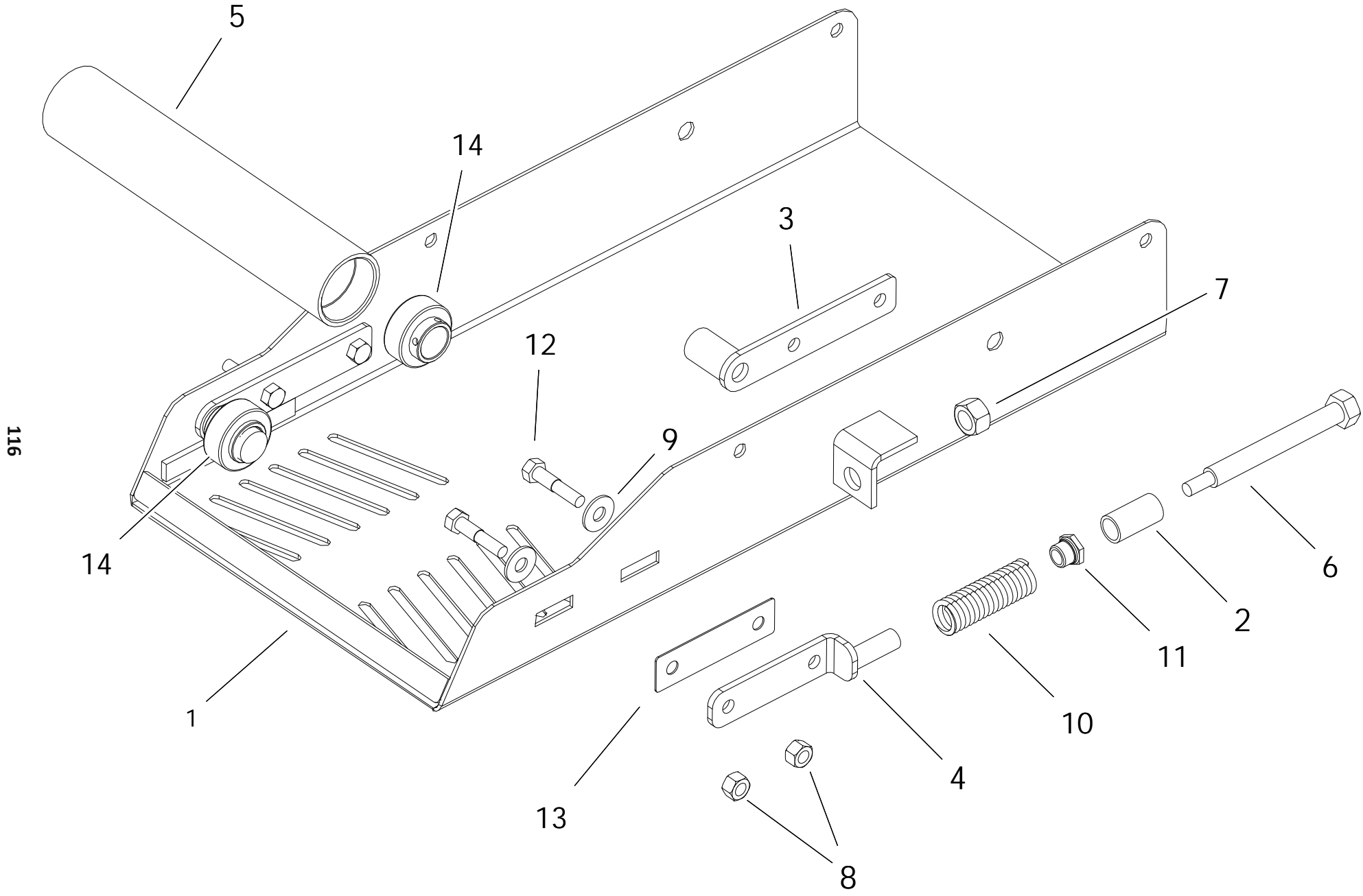
| ITEM | PART NO. | DESCRIPTION |
|------|-----------|-------------------------------------|
| 1 | P1211501 | HOOD-ROUND 15 SERIES (KANBAN) |
| 2 | 15000303P | HOPPER -COLLAPSABLE 1515 |
| 3 | 13000139 | MOVER WHEEL MOVE DRIVE SYS.2.5 AXLE |
| 4 | 13010008 | SUSPENSION BRACKET-NO TABS |
| 5 | 13011013 | WINCH MOUNT HD |
| 6 | 13011029 | FIELD LOADER HANDLE BRACKET |
| 7 | 13030042 | 13/15 TRACK SLIDER |
| 8 | 13030048 | UPRIGHT ARM 45FL |
| 9 | 13030100 | AXLE 30-45-2-1/2" (WITH 8 LUGS) |
| 10 | 13032094 | 35/45 SMALL CABLE ATTACH |
| 11 | 15020047 | SPOUT SECTION 20' W/RTRN MOUNTS |
| 12 | 15020053 | UPPER CENTER 20' TUBE |
| 13 | 15030007 | HITCH FL (ONE PC) |
| 14 | 15042102 | WEATHER GUARD 5' FLR - 61-1/2" |
| 15 | 15042121 | WEATHER GUARD 10' - 121-1/2" |
| 16 | 15070013 | SPOUT DRIVE ROLLER-1-1/4" LAGGED |
| 17 | 15100031 | 1500 FL Bottom |
| 18 | 150100911 | WEATHER GUARD MOUNT BAR KIT-POLY |
| 19 | P0113001 | CARRIAGE BOLT 1/2"X2" PLATED |
| 20 | P0113013 | CARRIAGE BOLT 7/16"X1" PLATED |
| 21 | P0113020 | CARRIAGE BOLT 5/16"X1-1/2"PLATED |
| 22 | P0118004 | BOLT 1" X 3" GR8 PLATED |
| 23 | P0115111 | BOLT 3/4" X 2" GR8 PLATED |
| 24 | P0118046 | BOLT 3/8" X 1" GR8 PLATED |
| 25 | P0115303 | CAPSCREW 3/8X1-1/4FLT HD SOCKET PTD |
| 26 | P0118013 | BOLT 1/2"X1 1/2" GR.8 PLATED |
| 27 | P0118017 | BOLT 1/2"X2-1/2"GRADE 8 PLATED |
| 28 | P0118076 | BOLT 7/16"X1" GRADE 8 PLATED |
| 29 | P0118077 | BOLT 7/16"X1-1/2" GRADE 8 PLATED |
| 30 | P0131017 | NUT 5/16" PLATED GRADE 8 |
| 31 | P0134026 | LOCKNUT-NYLON-3/8" GRADE 8 |
| 32 | P0134026 | LOCKNUT-NYLON-3/8" GRADE 8 |
| 33 | P0134007 | LOCKNUT-NYLON-7/16" |
| 34 | P0134008 | LOCKNUT-NYLON-1/2" |
| 35 | P01340101 | LOCKNUT-NYLON-5/8" GRADE 8 |
| 36 | P0134029 | LOCKNUT-NYLON-3/4" GRADE 8 |
| 37 | P0134030 | LOCKNUT-NYLON-1" GRADE 8 |
| 38 | P0141002 | TEK SCREW 1/4"X1" |
| 39 | P0151006 | FLAT WASHER 1/4"PLATED USS |
| 40 | P0151009 | FLAT WASHER 3/8"PLATED USS |
| 41 | P0151026 | FLAT WASHER 3/4"SAE |
| 42 | P0151031 | FLAT WASHER 1"PLATED USS |
| 43 | P0152010 | LOCK WASHER 5/16"PLATED |
| 44 | P0161001 | Cotter Pin 1/4 x 2 |
| 45 | P0161002 | COTTER PIN 5/32X1-1/2"PLATED |
| 46 | P0162001 | HITCH PIN 1/2" X 3" PLATED |



1545 FL TD-15504541

| ITEM | PART NO. | DESCRIPTION |
|------|-----------|-------------------------------------|
| 47 | P0183003 | U-BOLT 2-1/2" X 2-1/2" (5/8) PLATED |
| 48 | P0614301 | TIRE ASSEMBLY-15"X4.5"X4BOLT |
| 49 | P0712105 | CABLE CLAMP-5/16" GALV. |
| 50 | P0714102 | WINCH-1500# BRAKE |
| 51 | P1010001 | UNI-MOUNT PLATE CAST |
| 52 | P1012010 | JACK-1000LB ROUND JACK (15" EXT) |
| 53 | P1210030 | BELT GUIDE BLOCK |
| 54 | P1211305 | ROLLER 2" NYLON |
| 55 | P1711002 | FLANGE UNIT-1-1/4"-SAFL206-20 |
| 56 | P2219801P | U-CLAMP HANGER-10"X2-1/2"-BLACK |
| 57 | 13032125 | BOLT ON ANGLE |
| 58 | 13030001 | STRAIGHT TONGUE |
| 59 | 13030102 | AXLE ARM 30/35TD/45-2-1/2" |
| 60 | 13031019 | 55 TRACK |
| 61 | P2513212P | 2" LOCKING U-CLAMP PAINTED |
| 62 | P2513202P | 2" U-CLAMP -PAINTED |
| 63 | P1243001 | CABLE TIE 14" 120 LB |
| 64 | P2227989 | MANUAL HOLDER AND LID |
| 65 | 15597000 | SPOUT PINCH RLLR KIT |
| 66 | P0711108 | CABLE-5/16" (44') (50740) |
| 67 | 15570453 | 1545FLTD 100' 5" |

SPOUT PINCH ROLLER KIT (15597000)

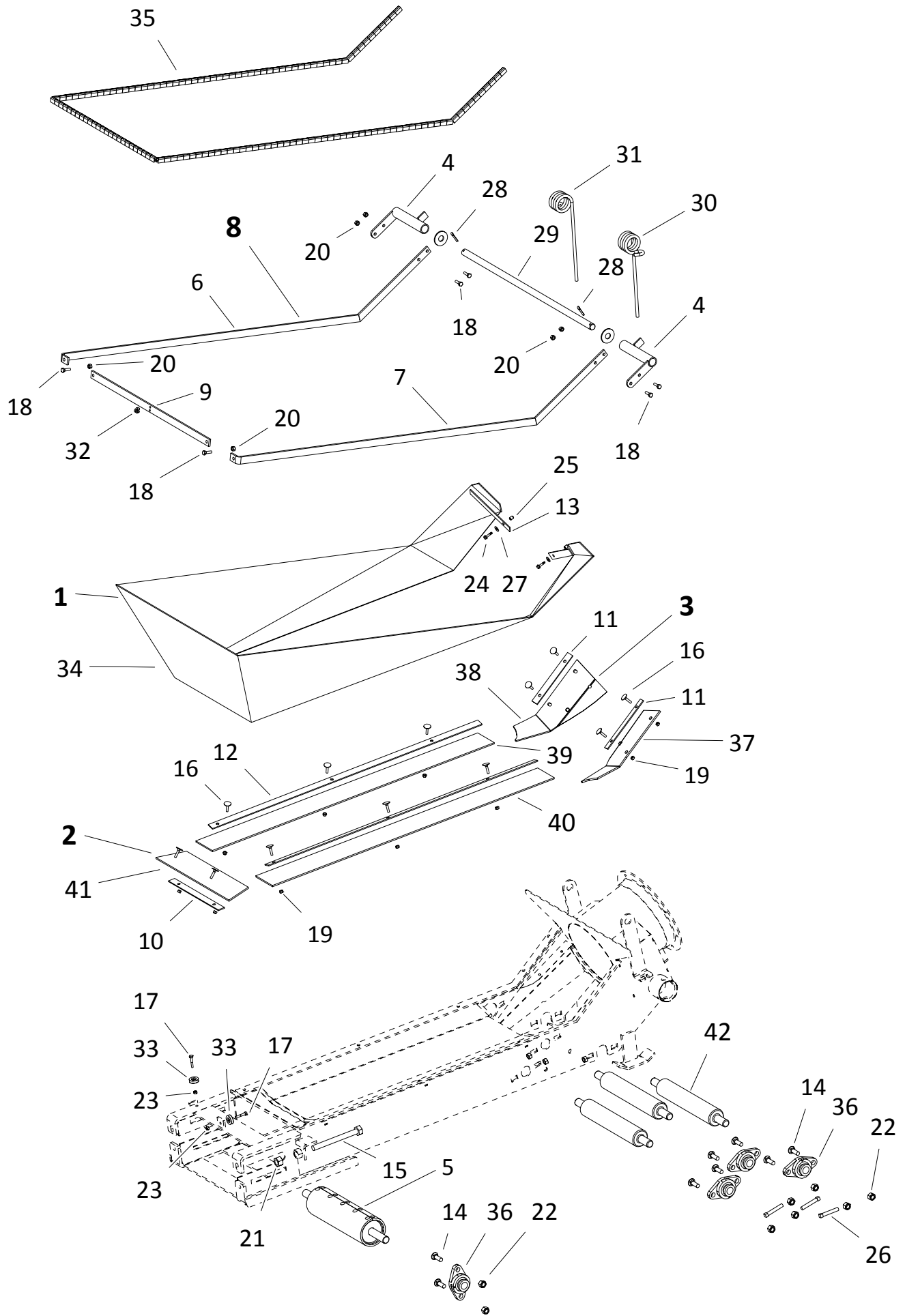


116

SPOUT PINCH ROLLER KIT (15597000)

| ITEM | PART NO. | DESCRIPTION |
|------|-----------|---|
| 1 | 15061020 | TD PINCH MOUNT |
| 2 | 15062110 | TD PINCH PIPE |
| 3 | 15070026 | ROLLER MOUNT |
| 4 | 15070027 | PUSH BAR |
| 5 | 15072025 | SPOUT PINCH PIPE |
| 6 | P0113000 | SPRING TENSION BOLT |
| 7 | P0131019 | NUT 3/4" PLATED GRADE 8 |
| 8 | P0134008 | LOCKNUT-NYLON-1/2" |
| 9 | P0151025 | FLAT WASHER 1/2" PLATED USS |
| 10 | P0511008 | SPRING-LD-1300 SERIES |
| 11 | P0820129 | BUSHING BRASS FLANGED |
| 12 | P01180161 | BOLT 1/2" X 2-1/4" GR8 PLATED |
| 13 | P1211023 | TD PINCH SLIDER PLATE |
| 14 | P1742005 | BEARING-1-1/4" W/SET SCREWS-FLAT |
| 15 | P0351010 | MACHINERY BUSHING 7/8" MEDIUM (NOT SHOWN) |

HOPPER (15000303P)

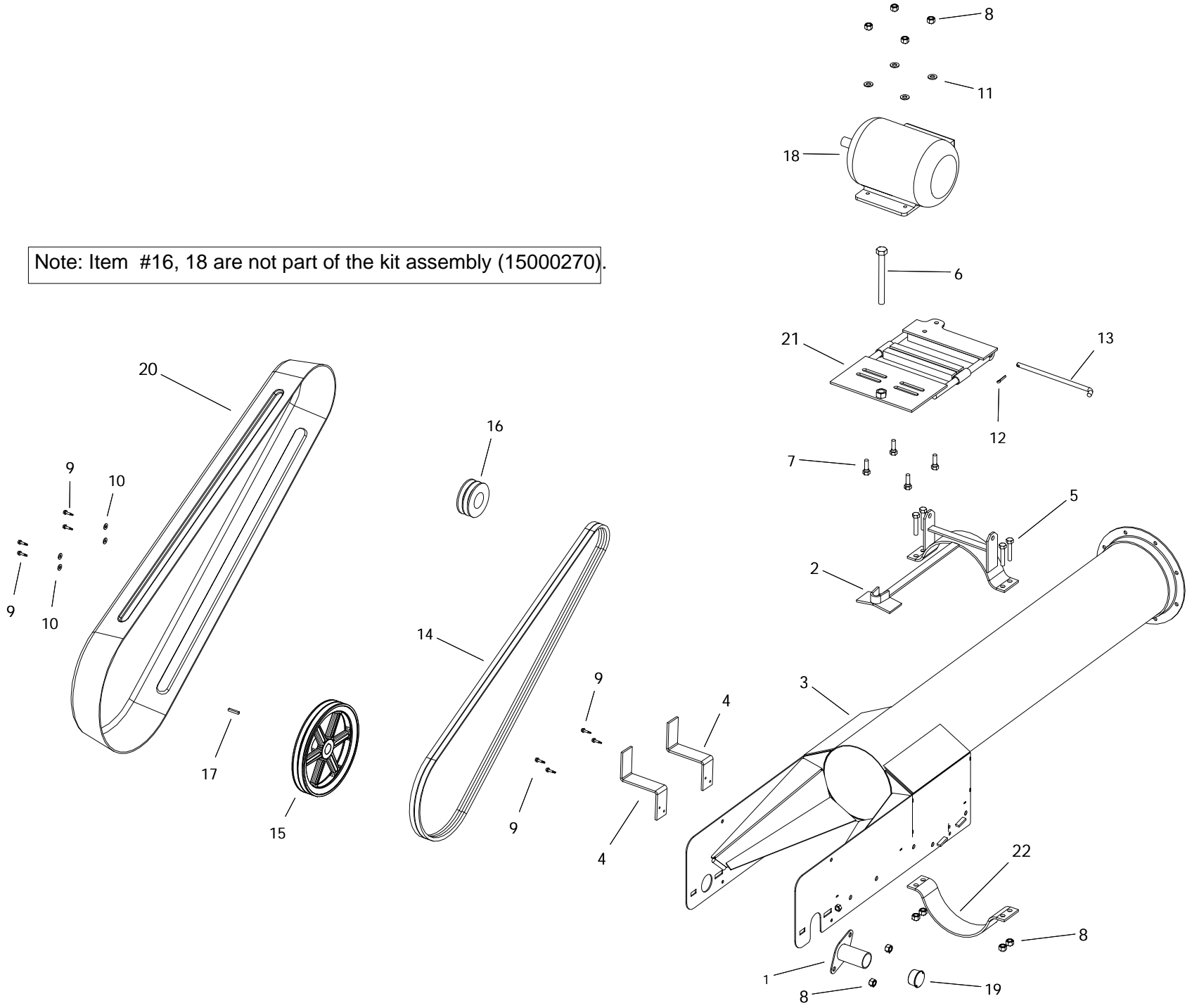


HOPPER (15000303P)

| ITEM | PART NO. | DESCRIPTION |
|------|-----------|----------------------------------|
| 1 | 15000303P | HOPPER -COLLAPSABLE 1515 |
| 2 | 15000307P | HOPPER LINER KIT 1515LP |
| 3 | 15000308P | HOPPER -FLASHING ONLY 1515LP |
| 4 | 15050010 | PIVOT SHAFT RIGHT |
| 5 | 15070012 | TAKE-UP ROLLER-1-1/4" LAGGED |
| 6 | 15100001 | UPPER CLOTH FRAME TR RIGHT |
| 7 | 15100002 | UPPER CLOTH FRAME TR LEFT |
| 8 | 15100021 | HOPPER CLOTH FRAME-UPPER 1515LP |
| 9 | 15102052 | UPPER CLOTH FRAME TR FRONT |
| 10 | 15102058 | LOWER CLOTH FRAME TR FRONT |
| 11 | 15102059 | LOWER CLOTH FRAME TR TRANSITION |
| 12 | 15102060 | LOWER CLOTH FRAME TR SIDE |
| 13 | 15102061 | LOWER CLOTH FRAME TR BACK |
| 14 | P0113004 | CARRIAGE BOLT 1/2"X1-1/2"PLATED |
| 15 | P0114007 | TAP BOLT 3/4 X 7 PLATED |
| 16 | P0116001 | ELEVATOR BOLT 1/4"X1-1/4" |
| 17 | P0118026 | BOLT 1/4" X 1-1/2" GR8 PLATED |
| 18 | P0118061 | BOLT 5/16" X 1" GR8 PLATED |
| 19 | P0131016 | NUT 1/4" PLATED GRADE 8 |
| 20 | P0131017 | NUT 5/16" PLATED GRADE 8 |
| 21 | P0131112 | NUT 3/4"PLATED |
| 22 | P0134008 | LOCKNUT-NYLON-1/2" |
| 23 | P0134023 | LOCKNUT-NYLON-1/4" GR8 |
| 24 | P0141002 | TEK SCREW 1/4"X1" |
| 25 | P0145001 | VINYL SCREW CAP |
| 26 | P0145002 | SET SCREW-7/16"X2-1/2"SQ.HD. |
| 27 | P0151006 | FLAT WASHER 1/4"PLATED USS |
| 28 | P0161003 | COTTER PIN 3/16"X1-1/2"PLATED |
| 29 | P0162007 | HOPPER PIVOT SHAFT-13/15 |
| 30 | P0521001 | HOPPER SPRING-L |
| 31 | P0521002 | HOPPER SPRING-R |
| 32 | P0712104 | CABLE CLAMP-1/8" GALV. |
| 33 | P0713104 | CABLE SHEAVE-1-1/4" W/BEARING |
| 34 | P1621010 | HOPPER CANVAS 1515LP |
| 35 | P1641015 | TRIM LOCK |
| 36 | P1711002 | FLANGE UNIT-1-1/4"-SAFL206-20 |
| 37 | P19159010 | TRANSITION FLASHING LEFT 15S FL |
| 38 | P19159011 | TRANSITION FLASHING RIGHT 15S FL |
| 39 | P19159008 | FL HOPPER FLASHING LH |
| 40 | P19159009 | FL HOPPER FLASHING RH |
| 41 | P19159012 | FRONT HOPPER FLASHING |
| 42 | P20315002 | TRANSITION ROLLER |

ELECTRIC DRIVE KIT (15000270)

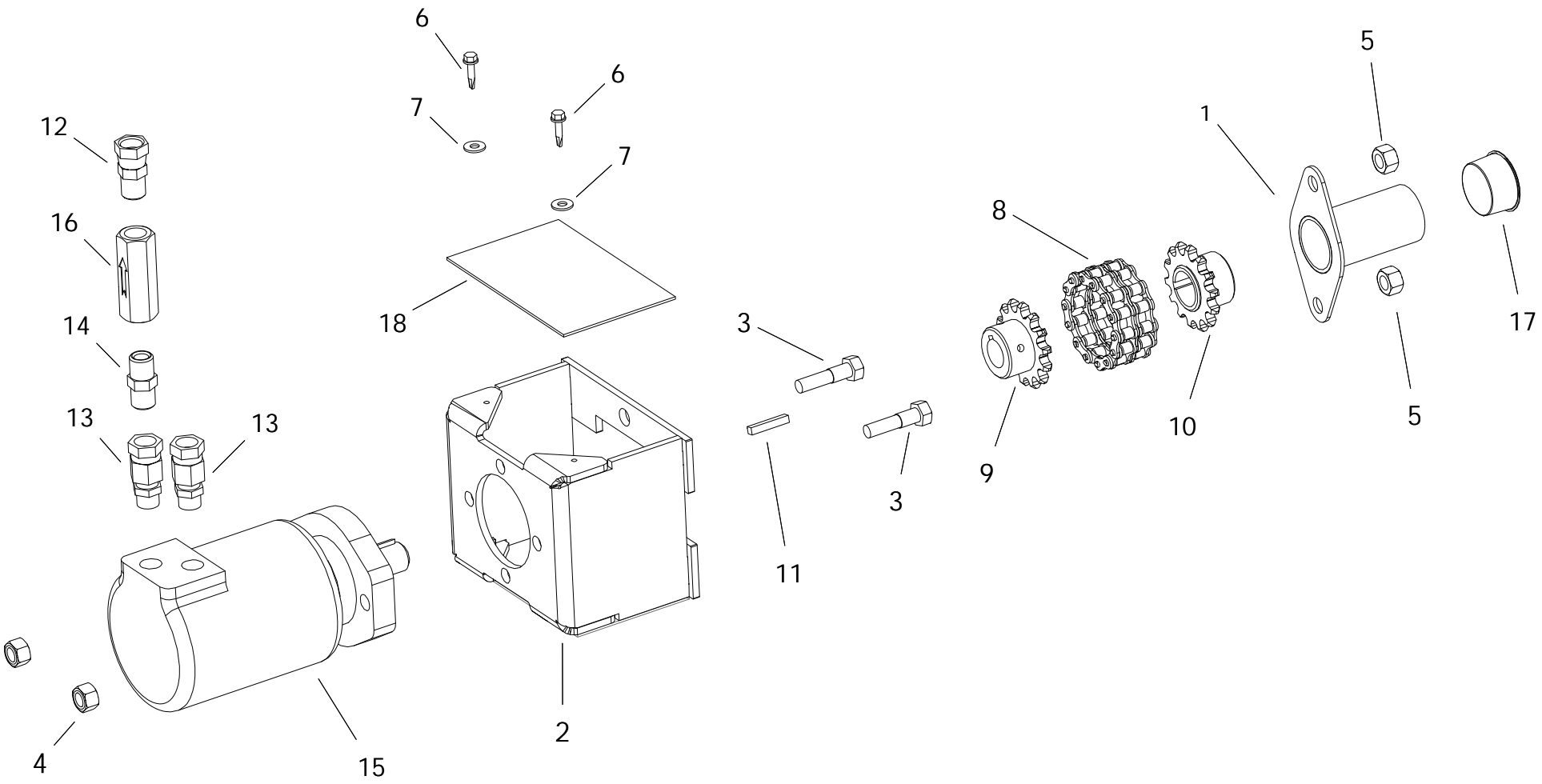
Note: Item #16, 18 are not part of the kit assembly (15000270).



ELECTRIC DRIVE KIT (15000270)

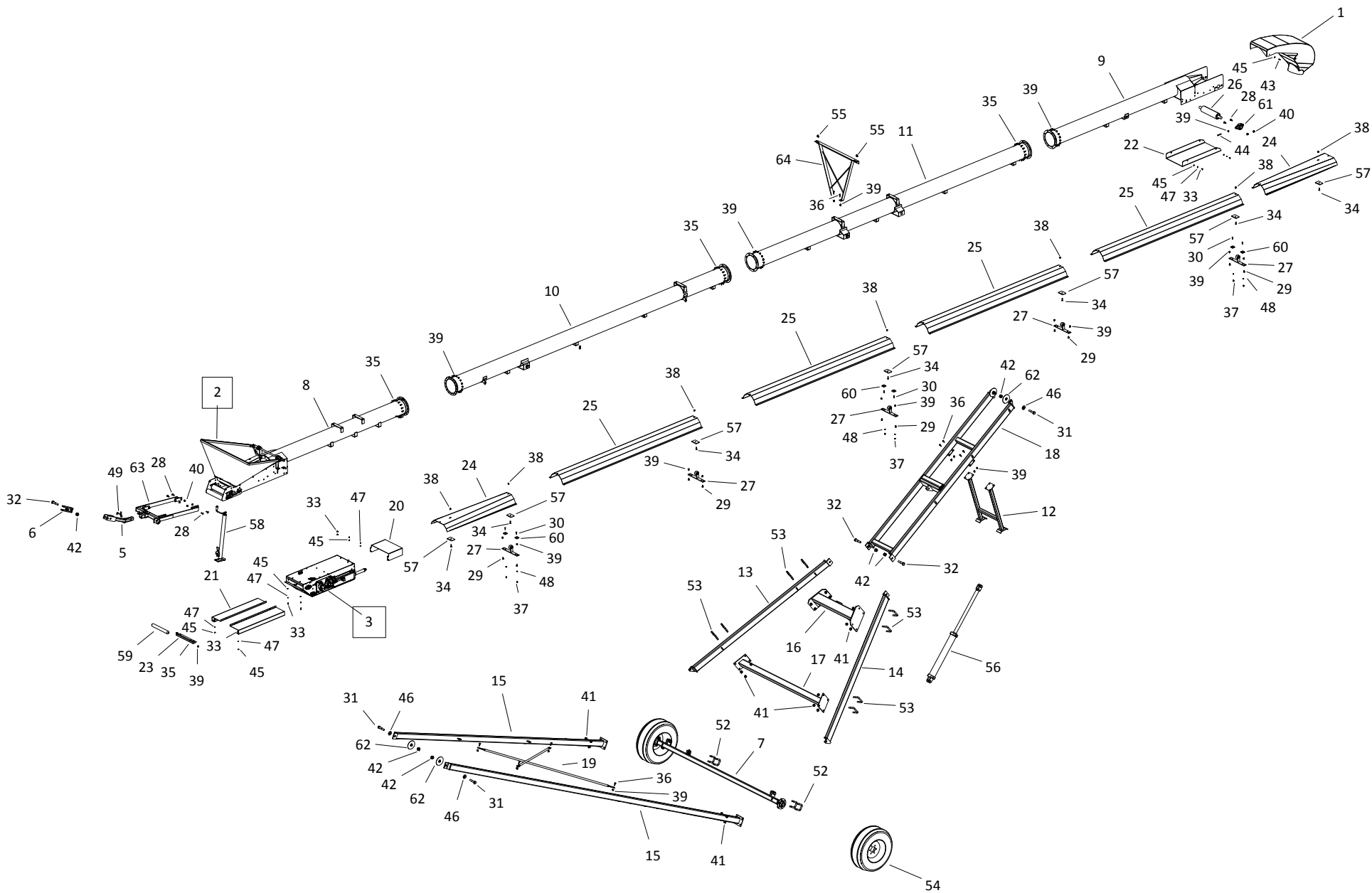
| ITEM | PART NO. | DESCRIPTION |
|------|-----------|----------------------------------|
| 1 | 13041038 | SHAFT GUARD(FL-206) |
| 2 | 13060004 | ELECTRIC MOTOR CLAMP |
| 3 | 15020006 | TRANSFER SPOUT 60" |
| 4 | 25013011 | PIT GUARD MOUNT |
| 5 | P0114005 | TAP BOLT 1/2 X 2-1/2 GR.8 PLATED |
| 6 | P0114007 | TAP BOLT 3/4 X 7 PLATED |
| 7 | P0118017 | BOLT 1/2"X2-1/2"GRADE 8 PLATED |
| 8 | P0134008 | LOCKNUT-NYLON-1/2" |
| 9 | P0141002 | TEK SCREW 1/4"X1" |
| 10 | P0151006 | FLAT WASHER 1/4"PLATED USS |
| 11 | P0151025 | FLAT WASHER 1/2" PLATED USS |
| 12 | P0161003 | COTTER PIN 3/16"X1-1/2"PLATED |
| 13 | P0162005 | PIN-ELECT.MTR.MNT-SHORT |
| 14 | P0321103 | BELT B103 |
| 15 | P0328007 | PULLEY-DBL-B-12" W/1-1/4"BORE |
| 16 | P0328018 | PULLEY-DBL-BK-4"H |
| 17 | P0391003 | KEY 1/4" X 1-1/2" LONG |
| 18 | P0931020 | MOTOR 5HP |
| 19 | P1210032 | FL-206 SHAFT GUARD PLUG |
| 20 | P1211803 | PIT GUARD |
| 21 | 13060037 | ELECTRIC MOTOR MOUNT BASE |
| 22 | P2513203P | 3" U-CLAMP PAINTED |

HYDRAULIC DRIVE KIT FOR 1814LP & TD (18000281)



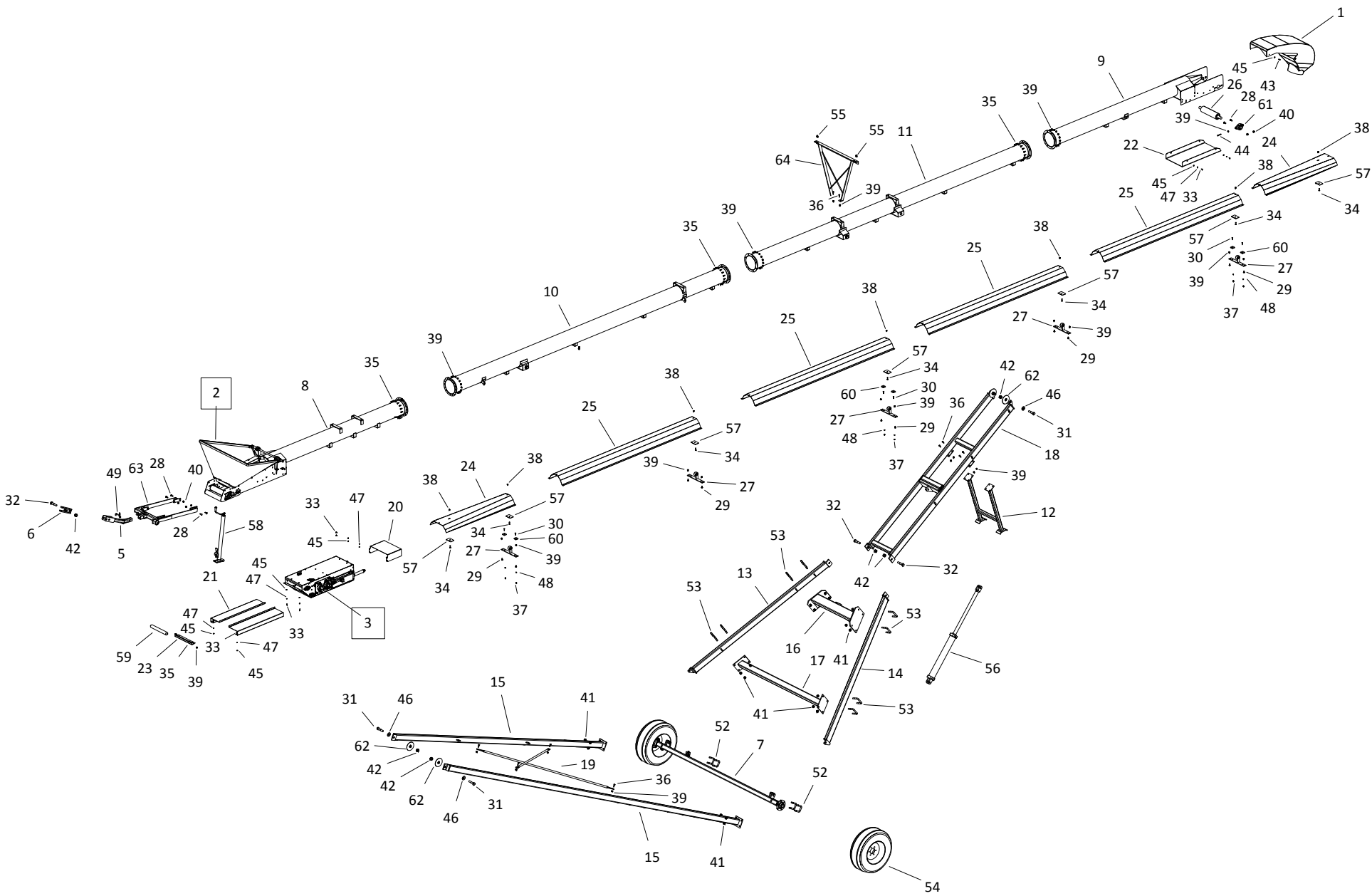
HYDRAULIC DRIVE KIT FOR 1814LP & TD (18000281)

| ITEM | PART NO. | DESCRIPTION |
|------|----------|-------------------------------------|
| 1 | 13041038 | SHAFT GUARD(FL-206) |
| 2 | 25060003 | 2000 SERIES PITSTOP MOUNT |
| 3 | P0118016 | BOLT 1/2" X 2" GR8 PLATED |
| 4 | P0134008 | LOCKNUT-NYLON-1/2" |
| 5 | P0134008 | LOCKNUT-NYLON-1/2" |
| 6 | P0141002 | TEK SCREW 1/4"X1" |
| 7 | P0151006 | FLAT WASHER 1/4"PLATED USS |
| 8 | P0311001 | ROLLER CHAIN FOR DRIVE(50-2RX14+CL) |
| 9 | P0335140 | SPROCKET 5014 1.0(KEY0.25) |
| 10 | P0335141 | SPROCKET 5014 1.25(KEY0.25) |
| 11 | P0391003 | KEY 1/4" X 1-1/2" LONG |
| 12 | P0821112 | SWIVEL-1/2" STRAIGHT |
| 13 | P0821114 | SWIVEL-10ORBx1/2"FS |
| 14 | P0821133 | HEX NIPPLE-1/2" |
| 15 | P0841019 | HYD MOTOR-6.2-2000-1" |
| 16 | P0861035 | CHECK VALVE-1/2" (NO HOLE) |
| 17 | P1210032 | FL-206 SHAFT GUARD PLUG |
| 18 | P1210100 | 1 1/4 HYDMTR GUARD 4.5 X 6.5 |



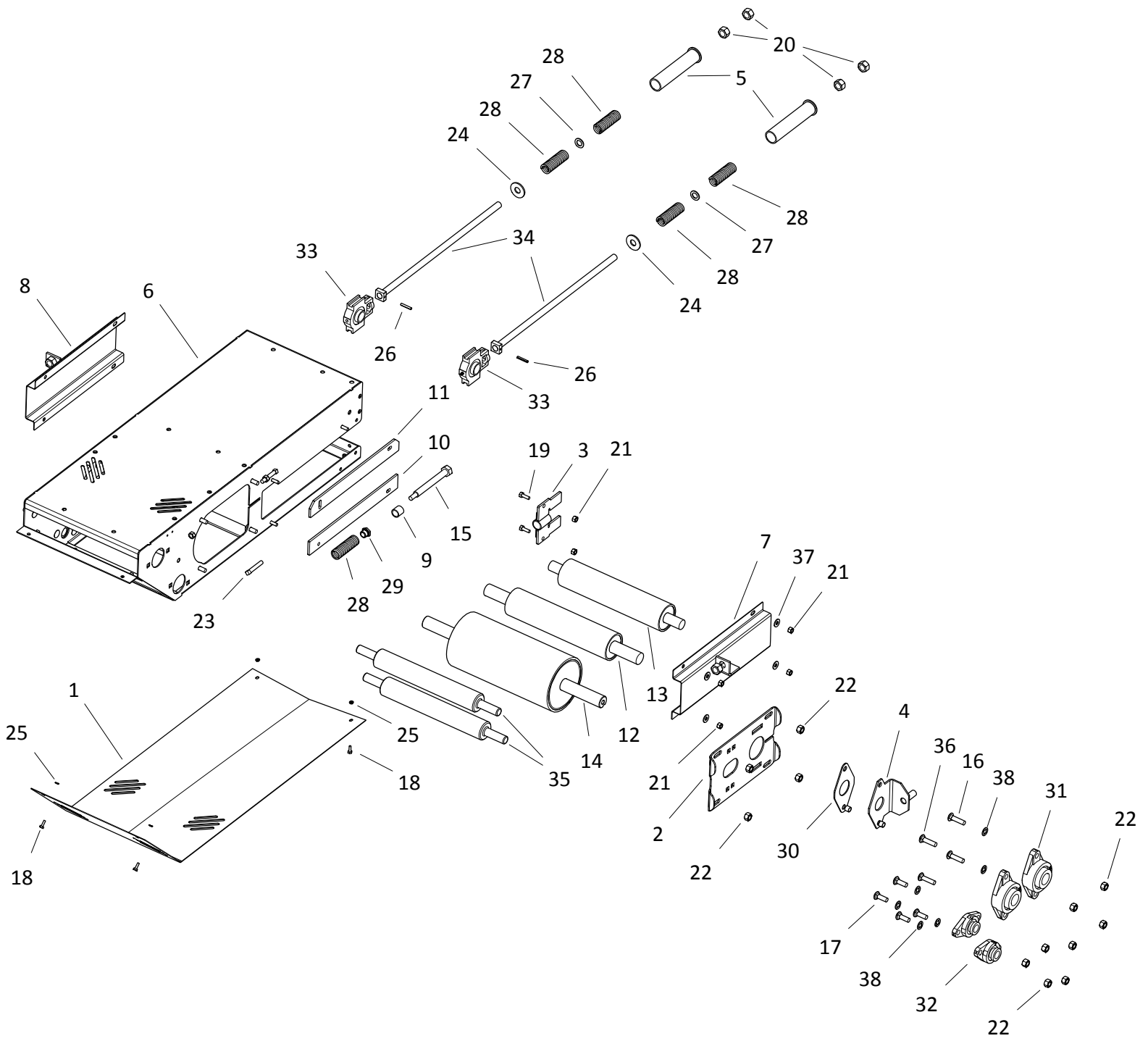
1565 SD-15506511

| ITEM | PART NO. | DESCRIPTION |
|------|-----------|-------------------------------------|
| 1 | P1211501 | HOOD-ROUND 15 SERIES (KANBAN) |
| 2 | 15000304P | HOPPER -COLLAPSABLE STD |
| 3 | 15590020 | S-DRIVE ASM W/PINCH |
| 4 | 13000139 | MOVER WHEEL MOVE DRIVE SYS.2.5 AXLE |
| 5 | 13030016 | Tongue |
| 6 | 13030017 | CLEVIS |
| 7 | 13030105 | 1365-85 Axle (6 bolt) |
| 8 | 15020040 | BT HOPPER SECTION 10' WITH SD BKTS |
| 9 | 15020045 | SPOUT SECTION 10' W/CABLE RTRN BKT |
| 10 | 15020051 | BOTTOM TUBE WITH ANCHORS |
| 11 | 15020052 | SUSPENSION BRACKET TUBE |
| 12 | 15031001 | 65/75 TRANSPORT BRACE |
| 13 | 15031029 | 65/75 LIFT ARM LEFT |
| 14 | 15031030 | 65/75 LIFT ARM RIGHT |
| 15 | 15031032 | 65/75 AXLE ARM |
| 16 | 15031035 | 65/75 UPPER LIFT ARM BRACE |
| 17 | 15031036 | 65/75 LOWER LIFT ARM BRACE |
| 18 | 15031037 | 65/75 LADDER |
| 19 | 15032030 | CROSS BRACE |
| 20 | 15040040 | PINCH DRIVE FRONT GUARD |
| 21 | 15042040 | SD-HOPPER BELT GUARD |
| 22 | 15042093 | SPOUT BOTTOM COVER |
| 23 | 15042094 | HOPPER GUARD BRACKET |
| 24 | 15042102 | WEATHER GUARD 5' FLR - 61-1/2" |
| 25 | 15042121 | WEATHER GUARD 10' - 121-1/2" |
| 26 | 15070009 | HOPPER/SPOUT ROLLER LAGGED |
| 27 | 150100911 | WEATHER GUARD MOUNT BAR KIT-POLY |
| 28 | P0113004 | CARRIAGE BOLT 1/2"X1-1/2"PLATED |
| 29 | P0113013 | CARRIAGE BOLT 7/16"X1" PLATED |
| 30 | P0113020 | CARRIAGE BOLT 5/16"X1-1/2"PLATED |
| 31 | P0118004 | BOLT 1" X 3" GR8 PLATED |
| 32 | 0118007 | BOLT 1" X 4-1/2" GR8 PLATED |
| 33 | P0118033 | BOLT 1/4" X 3/4" GR8 PLATED |
| 34 | P0115303 | CAPSCREW 3/8X1-1/4FLT HD SOCKET PTD |
| 35 | P0118076 | BOLT 7/16"X1" GRADE 8 PLATED |
| 36 | P0118077 | BOLT 7/16"X1-1/2" GRADE 8 PLATED |
| 37 | P0131017 | NUT 5/16" PLATED GRADE 8 |
| 38 | P0134026 | LOCKNUT-NYLON-3/8" GRADE 8 |
| 39 | P0134007 | LOCKNUT-NYLON-7/16" |
| 40 | P0134008 | LOCKNUT-NYLON-1/2" |
| 41 | P0134029 | LOCKNUT-NYLON-3/4" GRADE 8 |
| 42 | P0134030 | LOCKNUT-NYLON-1" GRADE 8 |
| 43 | P0141002 | TEK SCREW 1/4"X1" |
| 44 | P0145002 | SET SCREW-7/16"X2-1/2"SQ.HD. |
| 45 | P0151006 | FLAT WASHER 1/4"PLATED USS |
| 46 | P0151031 | FLAT WASHER 1"PLATED USS |



1565 SD-15506511

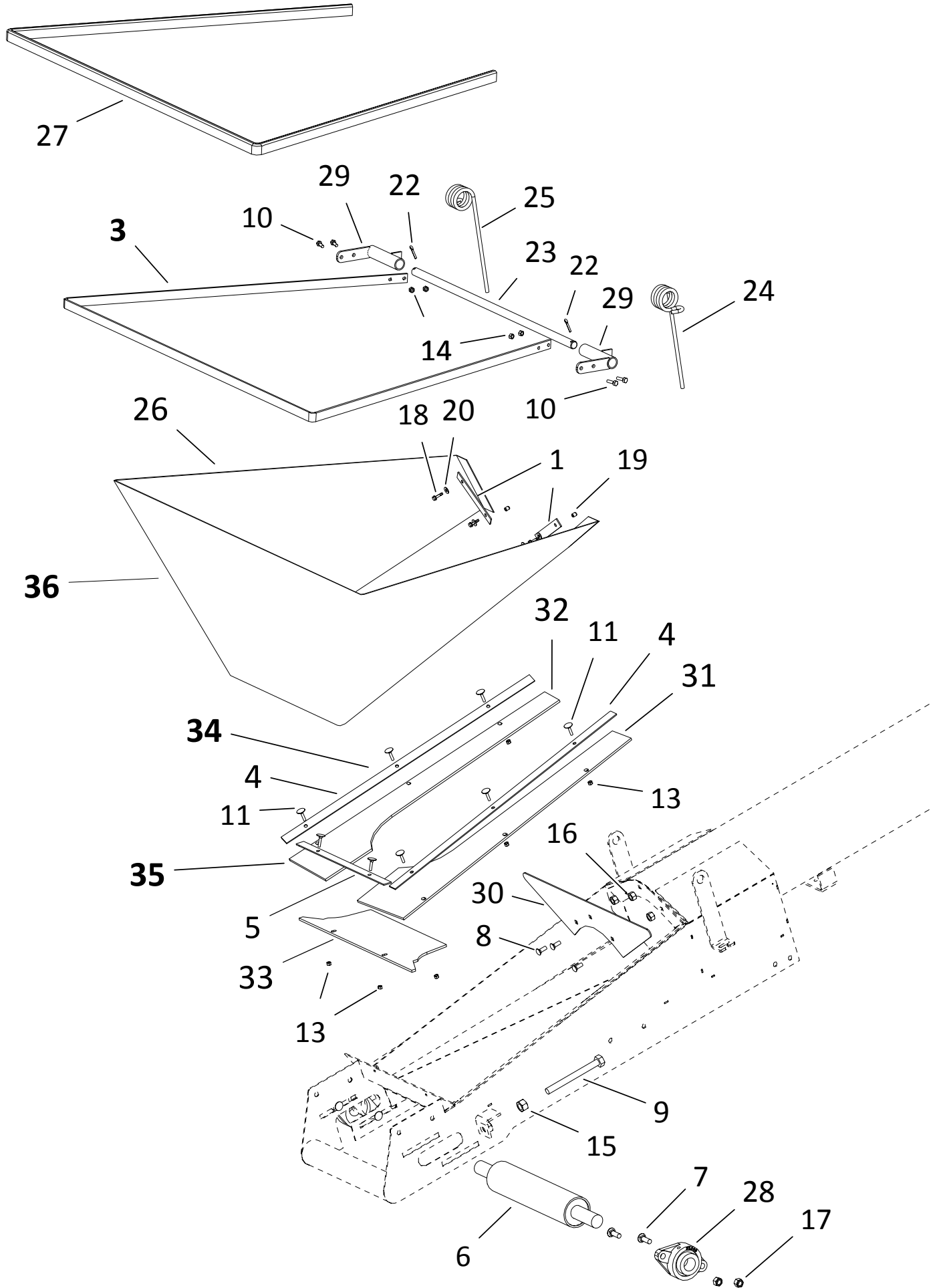
| ITEM | PART NO. | DESCRIPTION |
|------|----------|------------------------------------|
| 47 | P0152004 | LOCK WASHER 1/4" PLATED |
| 48 | P0152010 | LOCK WASHER 5/16" PLATED |
| 49 | P0162001 | HITCH PIN 1/2" X 3" PLATED |
| 52 | P0183004 | U-BOLT 3" X 3" - PLATED |
| 53 | P0183005 | U-BOLT 5" X 2" (3/4") PTD |
| 54 | P0615308 | TIRE ASM -6BLT ST205/75R15 LRC 6PL |
| 55 | P0712109 | CABLE CLAMP-3/8" |
| 56 | P0814030 | HYD CYL-4X30 |
| 57 | P1010001 | UNI-MOUNT PLATE CAST |
| 58 | P1012009 | JACK-7000LB SQ.TUBE 25" EXT |
| 59 | P1021006 | ROLLER HEX 15-7/8" |
| 60 | P1210030 | BELT GUIDE BLOCK |
| 61 | P1711001 | FLANGE UNIT-1-1/2"-SAFL208-24 |
| 62 | P2515002 | FRAME BUSHING |
| 63 | 15030015 | HITCH |
| 64 | 15010103 | HIGH CABLE BRIDGE |
| 65 | 15570651 | 1565 135' 3" |
| 66 | P0183021 | 3/8" EYE BOLT ASM |
| 67 | P0711116 | CABLE-3/8" (93') (NOT SHOWN) |
| 68 | P1243001 | CABLE TIE 14" 120 LB |
| 69 | P2227989 | MANUAL HOLDER AND LID |
| 70 | 15570651 | 1565 135' 3" |



S-DRIVE (15590020)

| ITEM | PART NO. | DESCRIPTION |
|------|-----------|-------------------------------------|
| 1 | 15040001 | PINCH SD BOTTOM GUARD |
| 2 | 15060061 | SD COVER PLATE 6-1/2"ROLLER |
| 3 | 15060027 | S-DRIVE TENSION INDICATOR |
| 4 | 15060082 | PINCH TIGHTENER PLATE |
| 5 | 15060504 | PRETENSIONER 1550 |
| 6 | 15061045 | S-DRIVE PINCH |
| 7 | 15061046 | SIDE GUARD LH |
| 8 | 15061047 | SIDE GUARD RH |
| 9 | 15062010 | PINCH PIPE |
| 10 | 15062179 | S-DRIVE SLIDER BOLT PLATE - BOTTOM |
| 11 | 15062180 | S-DRIVE SLIDER BOLT PLATE - TOP |
| 12 | 15070019 | 3-1/2"TAKE-UP (PINCH) |
| 13 | 15070020 | 3-1/2"TAKE-UP 19.5"SHAFT |
| 14 | 15070030 | DRIVE ROLLER-6-1/2" W/EXT SHAFT |
| 15 | P0113000 | SPRING TENSION BOLT |
| 16 | P0113001 | CARRIAGE BOLT 1/2"X2" PLATED |
| 17 | P0113004 | CARRIAGE BOLT 1/2"X1-1/2"PLATED |
| 18 | P0118033 | BOLT 1/4" X 3/4" GR8 PLATED |
| 19 | P0118046 | BOLT 3/8" X 1" GR8 PLATED |
| 20 | P0131019 | NUT 3/4" PLATED GRADE 8 |
| 21 | P0134026 | LOCKNUT-NYLON-3/8" GRADE 8 |
| 22 | P0134008 | LOCKNUT-NYLON-1/2" |
| 23 | P0145004 | SET SCREW-7/16"X1-1/2"SQ.HD.PLATED |
| 24 | P0151015 | FLAT WASHER 3/4"PLATED USS |
| 25 | P0152004 | LOCK WASHER 1/4"PLATED |
| 26 | P0167001 | SPRING PIN 1/4" X 1-1/2" |
| 27 | P0351015 | MACHINERY BUSH 3/4"X1-1/4"-14G PTD. |
| 28 | P0511008 | SPRING-LD-1300 SERIES |
| 29 | P0820129 | BUSHING BRASS FLANGED |
| 30 | P1210102 | BELT TIGHTENER SLIDER PLATE FL208 |
| 31 | P1711001 | FLANGE UNIT-1-1/2"-SAFL208-24 |
| 32 | P1711004 | FLANGE UNIT-1"-SAFL205-16 |
| 33 | P1721001 | TAKE-UP UNIT-1-1/4"-T206-20 |
| 34 | P2515006 | 15 S-DRIVE TIGHTENER BOLT |
| 35 | P20315001 | S-DRIVE RETURN-1" ROLLER |
| 36 | P0113003 | CARRIAGE BOLT 1/2"X2-1/2"PLATED |
| 37 | P0151009 | FLAT WASHER 3/8"PLATED USS |
| 38 | P0151037 | FLAT WASHER 0.531 SQUARE-1.00-0.060 |

HOPPER (15000304P)

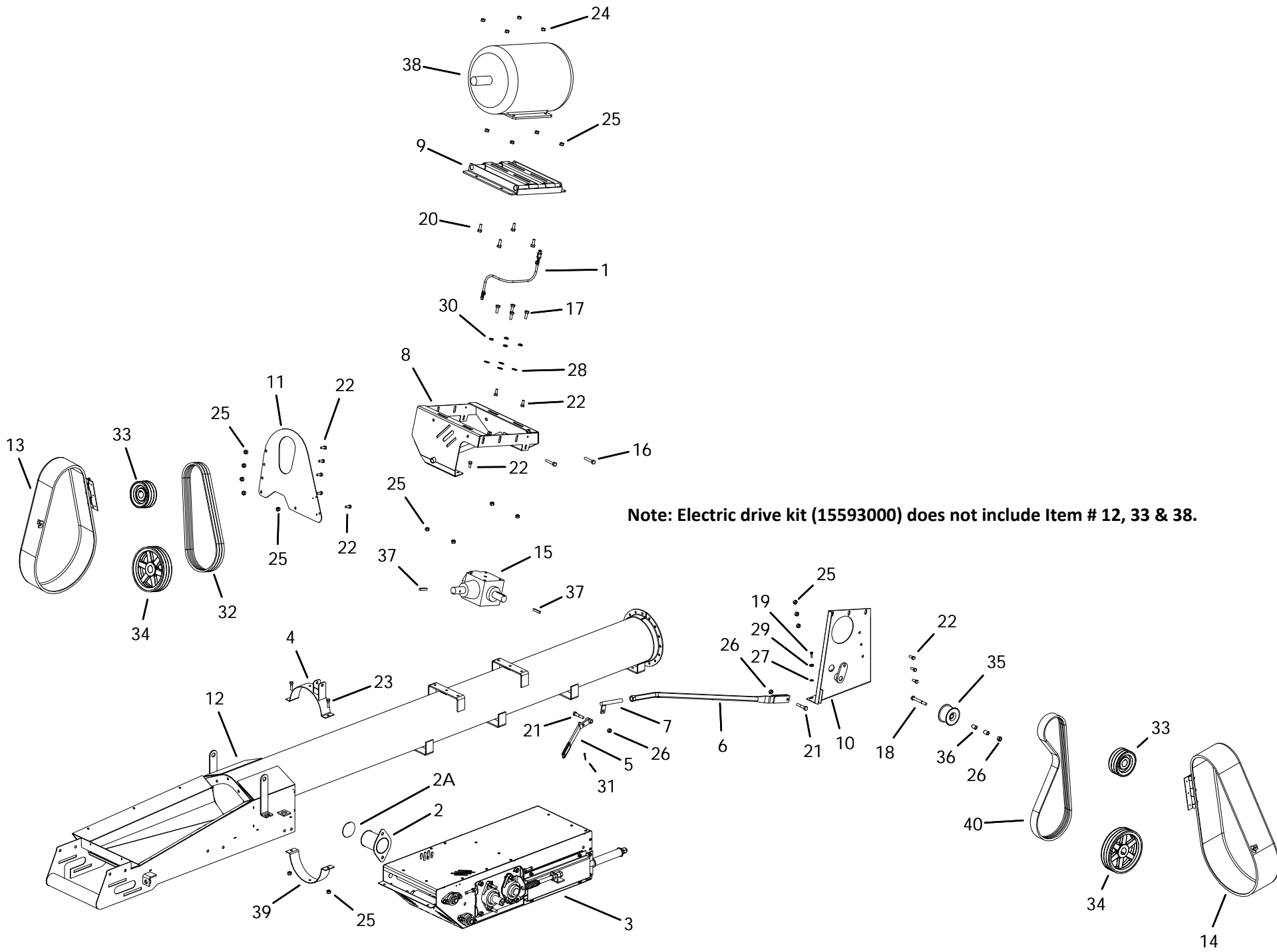


HOPPER (15000304P)

| ITEM | PART NO. | DESCRIPTION |
|------|-----------|---------------------------------|
| 1 | 13052001 | LOWER CLOTH FRAME STD BACK |
| 3 | 15052004 | UPPER CLOTH FRAME STD |
| 4 | 15052101 | LOWER CLOTH FRAME STD SIDE |
| 5 | 15052102 | LOWER CLOTH FRAME STD FRONT |
| 6 | 15070009 | HOPPER/SPOUT ROLLER LAGGED |
| 7 | P0113004 | CARRIAGE BOLT 1/2"X1-1/2"PLATED |
| 8 | P0113015 | CARRIAGE BOLT 3/8"X1" PLATED |
| 9 | P0114007 | TAP BOLT 3/4 X 7 PLATED |
| 10 | P0118061 | BOLT 5/16" X 1" GR8 PLATED |
| 11 | P0116001 | ELEVATOR BOLT 1/4"X1-1/4" |
| 13 | P0131016 | NUT 1/4" PLATED GRADE 8 |
| 14 | P0131017 | NUT 5/16" PLATED GRADE 8 |
| 15 | P0131019 | NUT 3/4" PLATED GRADE 8 |
| 16 | P0134026 | LOCKNUT-NYLON-3/8" GRADE 8 |
| 17 | P0134008 | LOCKNUT-NYLON-1/2" |
| 18 | P0141002 | TEK SCREW 1/4"X1" |
| 19 | P0145001 | VINYL SCREW CAP |
| 20 | P0151006 | FLAT WASHER 1/4"PLATED USS |
| 22 | P0161003 | COTTER PIN 3/16"X1-1/2"PLATED |
| 23 | P0162007 | HOPPER PIVOT SHAFT-13/15 |
| 24 | P0521001 | HOPPER SPRING-L |
| 25 | P0521002 | HOPPER SPRING-R |
| 26 | P1621007 | HOPPER CANVAS-15 CONV. |
| 27 | P1641015 | TRIM LOCK |
| 28 | P1711001 | FLANGE UNIT-1-1/2"-SAFL208-24 |
| 29 | P2515017 | PIVOT SHAFT BRACKET |
| 30 | P11150047 | HOPPER SHIELD |
| 31 | P19159000 | HOPPER LEFT FLASHING STD |
| 32 | P19159001 | HOPPER RIGHT FLASHING STD |
| 33 | P19159002 | HOPPER FRONT FLASHING STD |
| 34 | 15000314 | HOPPER -LINER KIT STD |
| 35 | 15000306P | HOPPER -FLASHING ONLY STD |
| 36 | 15000304P | HOPPER -COLLAPSABLE STD |

ELECTRIC DRIVE KIT (15593000)

132

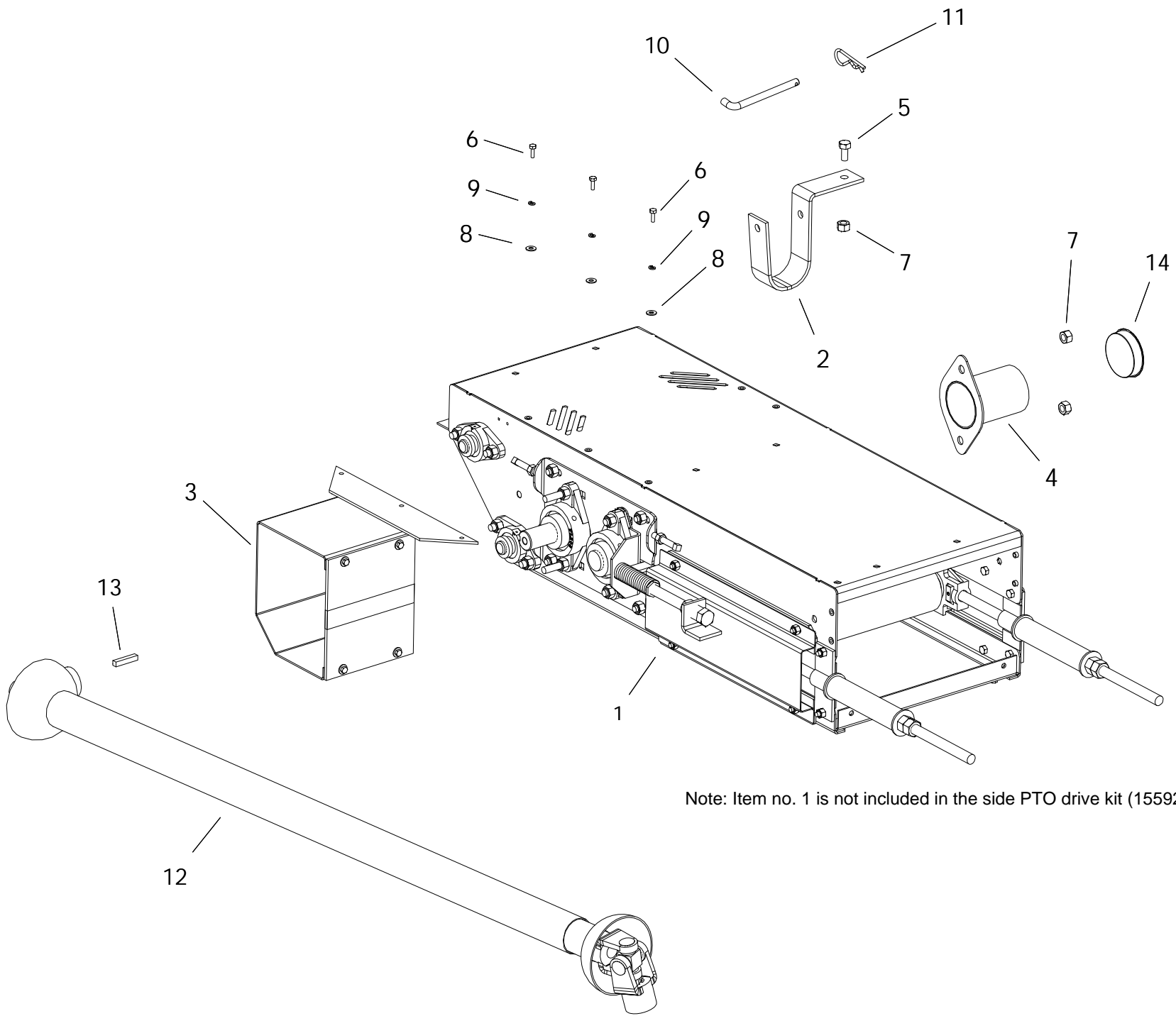


Note: Electric drive kit (15593000) does not include Item # 12, 33 & 38.

ELECTRIC DRIVE KIT (15593000)

| ITEM | PART NO. | DESCRIPTION |
|------|-----------|------------------------------------|
| 1 | 01010003 | BREATHER DIRECT DRIVE |
| 2 | 24041038 | SHAFT GUARD(FL-210) |
| 2A | P1210033 | 501 SHAFT GUARD PLUG |
| 3 | 15590020 | S-DRIVE ASM W/PINCH |
| 4 | 13010048 | MOTOR MT OVERCENTER ANCHOR BKT |
| 5 | 13010054 | MOTOR MT OVERCENTER HANDLE |
| 6 | 13060068 | MOTOR MT OVERCENTER PUSHROD |
| 7 | 13060074 | OVERCENTER ADJUSTER |
| 8 | 13060102 | MOTOR MOUNT |
| 9 | 13060103 | SLIDER MOUNT |
| 10 | 13060105 | MOTOR MOUNT BACK PLATE |
| 11 | 13060107 | ENGINE GUARD BACK |
| 12 | 15020040 | BT HOPPER SECTION 10' WITH SD BKTS |
| 13 | 15040055 | PINCH GUARD SMALL ASSEMBLED |
| 14 | 15040056 | PINCH GUARD MED ASSEMBLED |
| 15 | 15591000 | GBOX 90 1:1 CW/CW 1-1/2 4190 W/OIL |
| 16 | P0114005 | TAP BOLT 1/2 X 2-1/2 GR.8 PLATED |
| 17 | P0118020 | BOLT 1/2" X 1-1/4" GR8 PLATED |
| 18 | P0118130 | BOLT 1/2" X 4" GR8 PLATED |
| 19 | P0118131 | BOLT 1/4" X 1" GR8 PLATED |
| 20 | P0118061 | BOLT 5/16" X 1" GR8 PLATED |
| 21 | P0118016 | BOLT 1/2" X 2" GR8 PLATED |
| 22 | P0118076 | BOLT 7/16"X1" GRADE 8 PLATED |
| 23 | P0118077 | BOLT 7/16"X1-1/2" GRADE 8 PLATED |
| 24 | P0134027 | LOCKNUT-NYLON-5/16" GRADE 8 |
| 25 | P0134007 | LOCKNUT-NYLON-7/16" |
| 26 | P0134008 | LOCKNUT-NYLON-1/2" |
| 27 | P0151006 | FLAT WASHER 1/4"PLATED USS |
| 28 | P0151029 | FLAT WASHER 1/2"PLATED USS |
| 29 | P0152004 | LOCK WASHER 1/4"PLATED |
| 30 | P0152008 | LOCK WASHER 1/2"PLATED |
| 31 | P0161003 | COTTER PIN 3/16"X1-1/2"PLATED |
| 32 | P0321052 | BELT B52 |
| 33 | P0328050 | PULLEY-TRPL-6" W/1-1/2"BORE |
| 34 | P0328079 | PULLEY-TRPL-10" W/1-1/2"BORE |
| 35 | P0328910 | IDLER-FLAT-4"TRPL 2-7/16"WIDE |
| 36 | P0351019 | DNR-BUSHING 3/4"ODX1/2"IDX1"BRONZE |
| 37 | P0391002 | KEY 3/8" X 2" LONG |
| 38 | P0931004 | ELECTRIC MOTOR 10HP |
| 39 | P2219801P | U-CLAMP HANGER-10"X2-1/2"-BLACK |
| 40 | P03210652 | BELT 3B65 BANDED |

SIDE P.T.O. DRIVE KIT 15 SERIES (15592200)

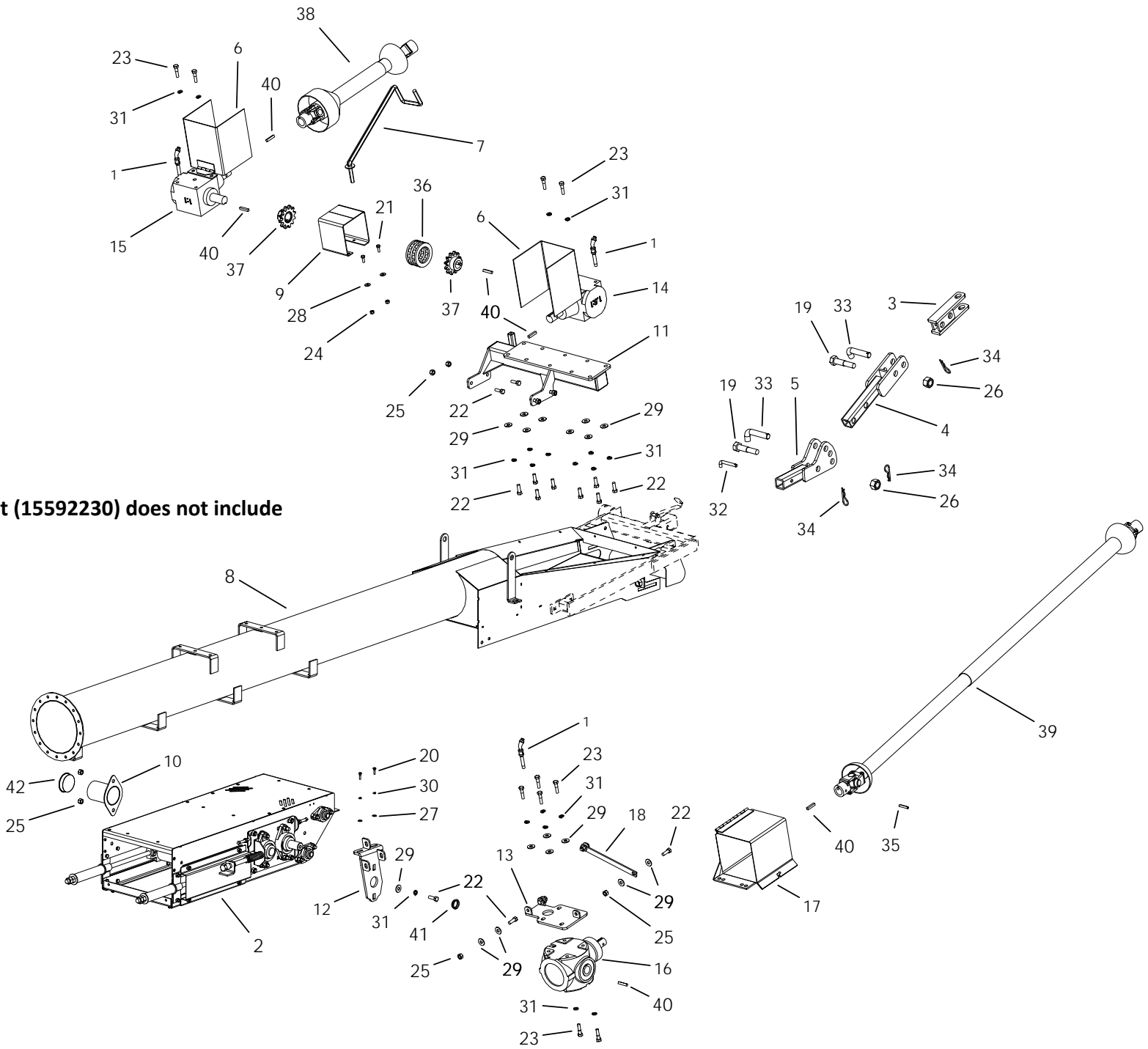


Note: Item no. 1 is not included in the side PTO drive kit (15592200)

SIDE P.T.O. DRIVE KIT 15 SERIES (15592200)

| ITEM | PART NO. | DESCRIPTION |
|------|----------|-----------------------------|
| 1 | 15590020 | S-DRIVE ASM W/PINCH |
| 2 | 13042018 | PTO CRADLE |
| 3 | 15040002 | PTO GUARD |
| 4 | 15041038 | SHAFT GUARD(FL-208) |
| 5 | P0118012 | BOLT 1/2" X 1" GR8 PLATED |
| 6 | P0118033 | BOLT 1/4" X 3/4" GR8 PLATED |
| 7 | P0134008 | LOCKNUT-NYLON-1/2" |
| 8 | P0151006 | FLAT WASHER 1/4"PLATED USS |
| 9 | P0152004 | LOCK WASHER 1/4"PLATED |
| 10 | P0162004 | HITCH PIN 1/2" X 5" PLATED |
| 11 | P0163001 | HAIR PIN 3/16" X 3-1/4" |
| 12 | P0381014 | PTO SHAFT 1-1/2"X75" |
| 13 | P0391002 | KEY 3/8" X 2" LONG |
| 14 | P1210033 | 501 SHAFT GUARD PLUG |

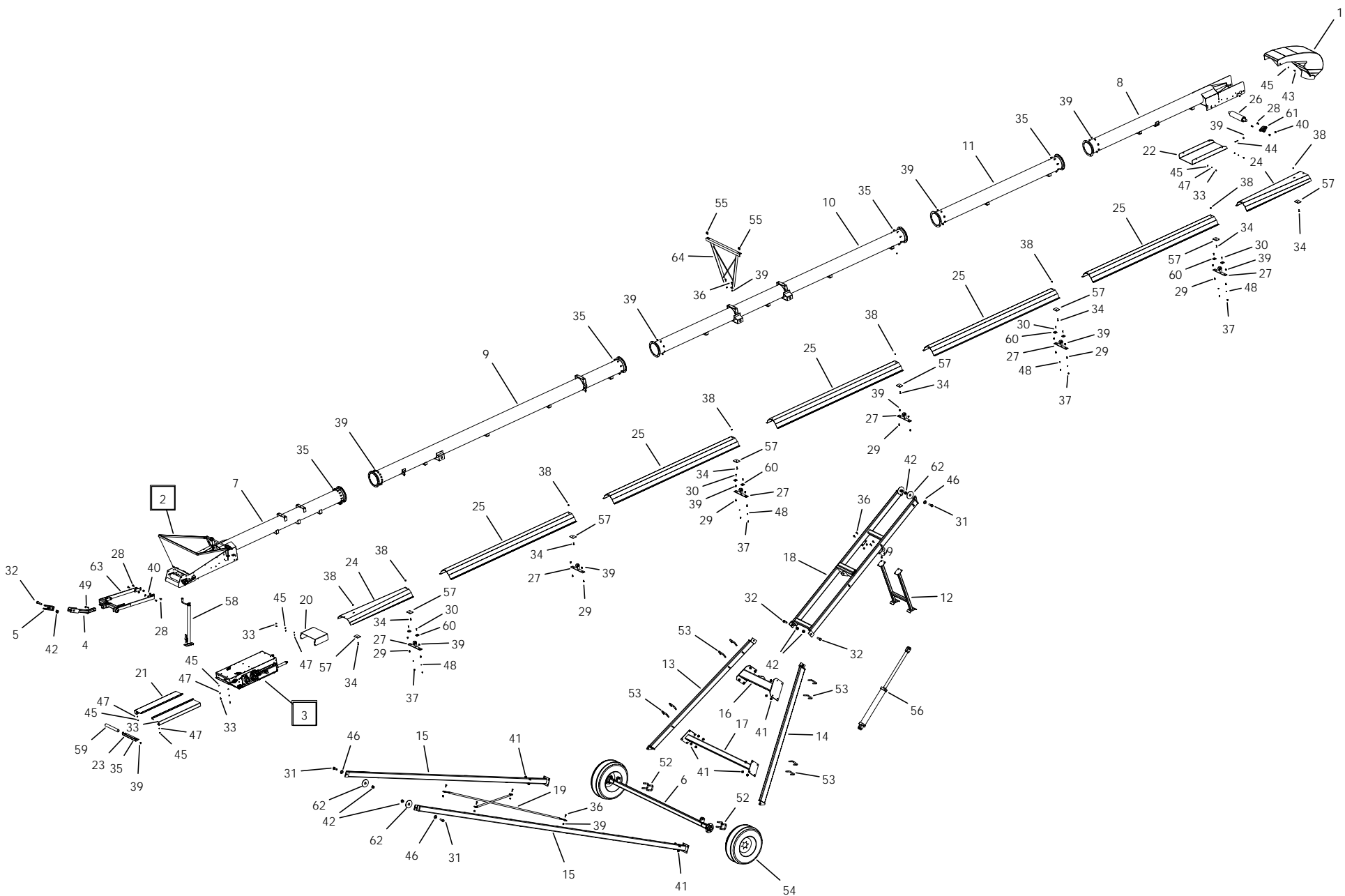
FRONT DRIVE PTO KIT 15 SERIES (15592230)



Note: Front PTO Kit (15592230) does not include item # 2, 8

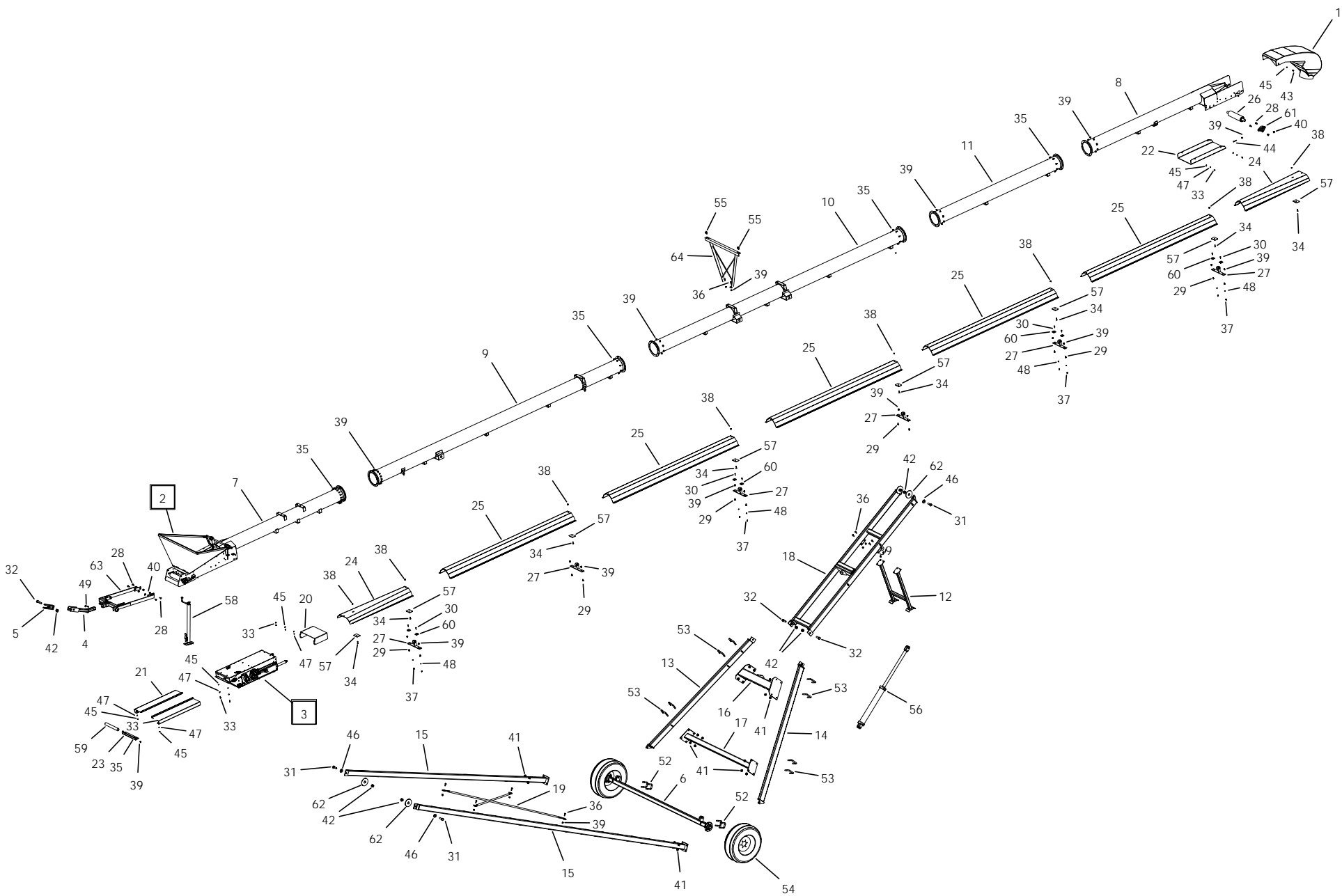
FRONT DRIVE PTO KIT 15 SERIES (15592230)

| ITEM | PART NO. | DESCRIPTION |
|------|----------|-------------------------------------|
| 1 | 01010002 | BREATHER -SWING AWAY |
| 2 | 15590020 | S-DRIVE ASM W/PINCH |
| 3 | 13030017 | CLEVIS |
| 4 | 13030064 | 13/15 ADJUSTABLE CLEVIS |
| 5 | 13030065 | 15 SWING ADJUSTABLE TONGUE |
| 6 | 13040011 | PTO GUARD SWING |
| 7 | 13090019 | SWING PTO CRADLE |
| 8 | 15020040 | BT HOPPER SECTION 10' WITH SD BKTS |
| 9 | 15040009 | COUPLING GUARD |
| 10 | 15041038 | SHAFT GUARD(FL-208) |
| 11 | 15090067 | GEARBOX MOUNT PLATFORM |
| 12 | 15090071 | SWING GEARBOX SIDE MT (SD) |
| 13 | 15090072 | SWING GEARBOX SIDE MT (GBOX) |
| 14 | 15591000 | GBOX 90 1:1 CW/CW 1-1/2 4190 W/OIL |
| 15 | 15591002 | GBOX 90 1:1 CW/CCW 1-1/2 4190 W/OIL |
| 16 | 15591003 | GBOX 90 1.5:1SFTMT 1-1/2 5190 W/OIL |
| 17 | 20040008 | GUARD 6190GB FLIP-UP |
| 18 | 20092097 | SWING 6190 GBOX SIDE MT (LINK ARM) |
| 19 | P0118007 | BOLT 1" X 4-1/2" GR8 PLATED |
| 20 | P0118131 | BOLT 1/4" X 1" GR8 PLATED |
| 21 | P0118046 | BOLT 3/8" X 1" GR8 PLATED |
| 22 | P0118013 | BOLT 1/2"X1 1/2" GR.8 PLATED |
| 23 | P0118016 | BOLT 1/2" X 2" GR8 PLATED |
| 24 | P0134026 | LOCKNUT-NYLON-3/8" GRADE 8 |
| 25 | P0134008 | LOCKNUT-NYLON-1/2" |
| 26 | P0134030 | LOCKNUT-NYLON-1" GRADE 8 |
| 27 | P0151006 | FLAT WASHER 1/4"PLATED USS |
| 28 | P0151009 | FLAT WASHER 3/8"PLATED USS |
| 29 | P0151029 | FLAT WASHER 1/2"PLATED USS |
| 30 | P0152004 | LOCK WASHER 1/4"PLATED |
| 31 | P0152008 | LOCK WASHER 1/2"PLATED |
| 32 | P0162001 | HITCH PIN 1/2" X 3" PLATED |
| 33 | P0162003 | HITCH PIN 1" X 3-1/2" PLATED |
| 34 | P0163001 | HAIR PIN 3/16" X 3-1/4" |
| 35 | P0167002 | SPRING PIN 3/8" X 2" |
| 36 | P0311003 | CHAIN FOR DRIVE(80-2RX12+CL) |
| 37 | P0338122 | SPROCKET-H80B12 X 1-1/2 |
| 38 | P0381003 | CV SHAFT-14E W/1-1/2"IMP.END |
| 39 | P0381028 | PTO SHAFT-1-1/2" BOTH ENDS-105"-35 |
| 40 | P0391002 | KEY 3/8" X 2" LONG |
| 41 | P1210022 | RECESSED HEAD BUTTON PLUG 1-1/2" |
| 42 | P1210033 | 501 SHAFT GUARD PLUG |
| 43 | 15030015 | HITCH |



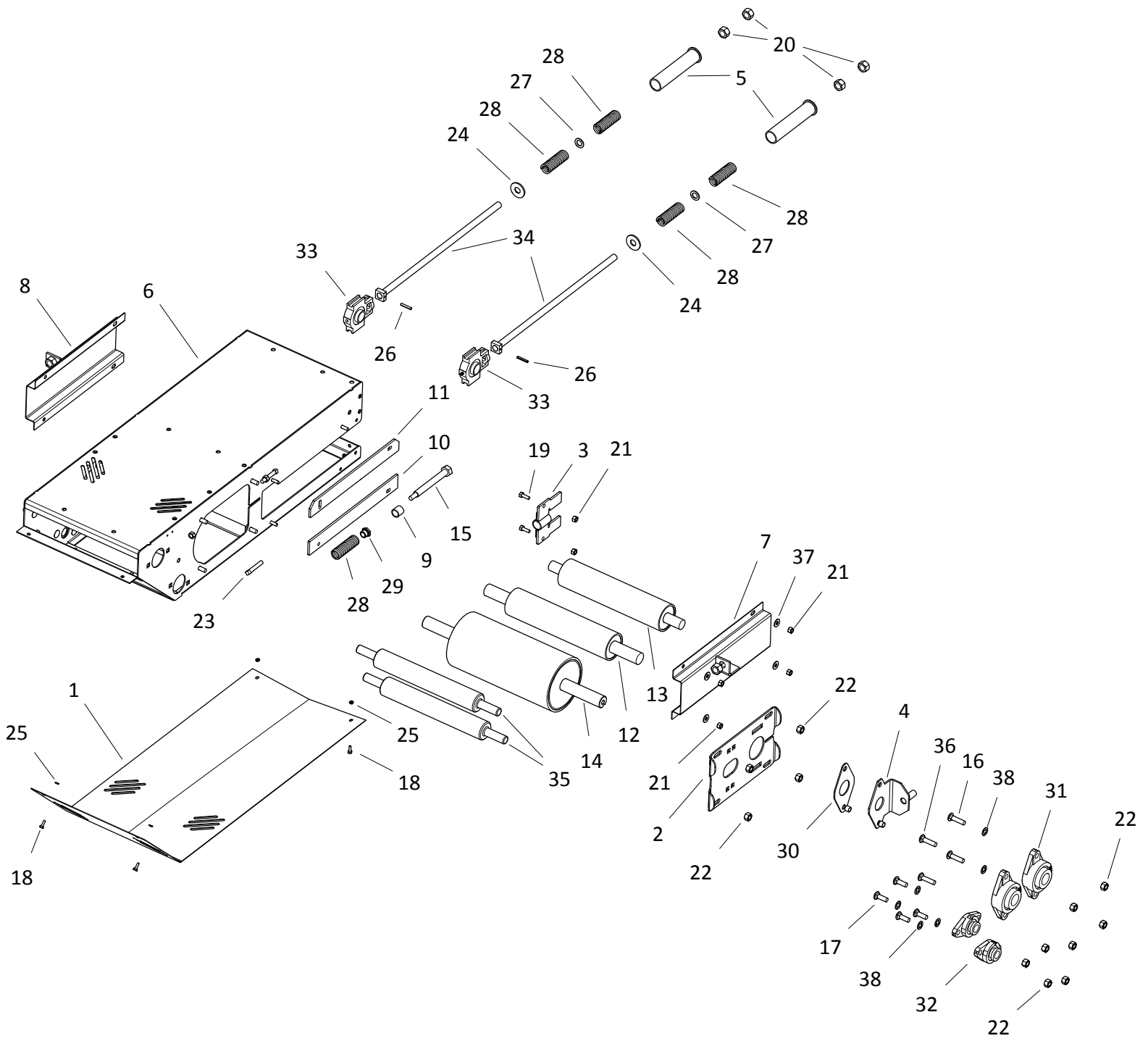
1575 SD-15507511

| ITEM | PART NO. | DESCRIPTION |
|------|-----------|-------------------------------------|
| 1 | P1211501 | HOOD-ROUND 15 SERIES (KANBAN) |
| 2 | 15000304P | HOPPER -COLLAPSABLE STD |
| 3 | 15590020 | S-DRIVE ASM W/PINCH |
| 4 | 13030016 | Tongue |
| 5 | 13030017 | CLEVIS |
| 6 | 13030105 | 1365-85 Axle (6 bolt) |
| 7 | 15020040 | BT HOPPER SECTION 10' WITH SD BKTS |
| 8 | 15020045 | SPOUT SECTION 10' W/CABLE RTRN BKT |
| 9 | 15020051 | BOTTOM TUBE WITH ANCHORS |
| 10 | 15020052 | SUSPENSION BRACKET TUBE |
| 11 | 15020054 | UPPER CENTER TUBE 10' |
| 12 | 15031001 | 65/75 TRANSPORT BRACE |
| 13 | 15031029 | 65/75 LIFT ARM LEFT |
| 14 | 15031030 | 65/75 LIFT ARM RIGHT |
| 15 | 15031032 | 65/75 AXLE ARM |
| 16 | 15031035 | 65/75 UPPER LIFT ARM BRACE |
| 17 | 15031036 | 65/75 LOWER LIFT ARM BRACE |
| 18 | 15031037 | 65/75 LADDER |
| 19 | 15032030 | CROSS BRACE |
| 20 | 15040040 | PINCH DRIVE FRONT GUARD |
| 21 | 15042040 | SD-HOPPER BELT GUARD |
| 22 | 15042093 | SPOUT BOTTOM COVER |
| 23 | 15042094 | HOPPER GUARD BRACKET |
| 24 | 15042102 | WEATHER GUARD 5' FLR - 61-1/2" |
| 25 | 15042121 | WEATHER GUARD 10' - 121-1/2" |
| 26 | 15070009 | HOPPER/SPOUT ROLLER LAGGED |
| 27 | 150100911 | WEATHER GUARD MOUNT BAR KIT-POLY |
| 28 | P0113004 | CARRIAGE BOLT 1/2"X1-1/2"PLATED |
| 29 | P0113013 | CARRIAGE BOLT 7/16"X1" PLATED |
| 30 | P0113020 | CARRIAGE BOLT 5/16"X1-1/2"PLATED |
| 31 | P0118004 | BOLT 1" X 3" GR8 PLATED |
| 32 | P0118007 | BOLT 1" X 4-1/2" GR8 PLATED |
| 33 | P0118033 | BOLT 1/4" X 3/4" GR8 PLATED |
| 34 | P0115303 | CAPSCREW 3/8X1-1/4FLT HD SOCKET PTD |
| 35 | P0118076 | BOLT 7/16"X1" GRADE 8 PLATED |
| 36 | P0118077 | BOLT 7/16"X1-1/2" GRADE 8 PLATED |
| 37 | P0131017 | NUT 5/16" PLATED GRADE 8 |
| 38 | P0134026 | LOCKNUT-NYLON-3/8" GRADE 8 |
| 39 | P0134007 | LOCKNUT-NYLON-7/16" |
| 40 | P0134008 | LOCKNUT-NYLON-1/2" |
| 41 | P0134029 | LOCKNUT-NYLON-3/4" GRADE 8 |
| 42 | P0134030 | LOCKNUT-NYLON-1" GRADE 8 |
| 43 | P0141002 | TEK SCREW 1/4"X1" |
| 44 | P0145002 | SET SCREW-7/16"X2-1/2"SQ.HD. |
| 45 | P0151006 | FLAT WASHER 1/4"PLATED USS |
| 46 | P0151031 | FLAT WASHER 1"PLATED USS |



1575 SD-15507511

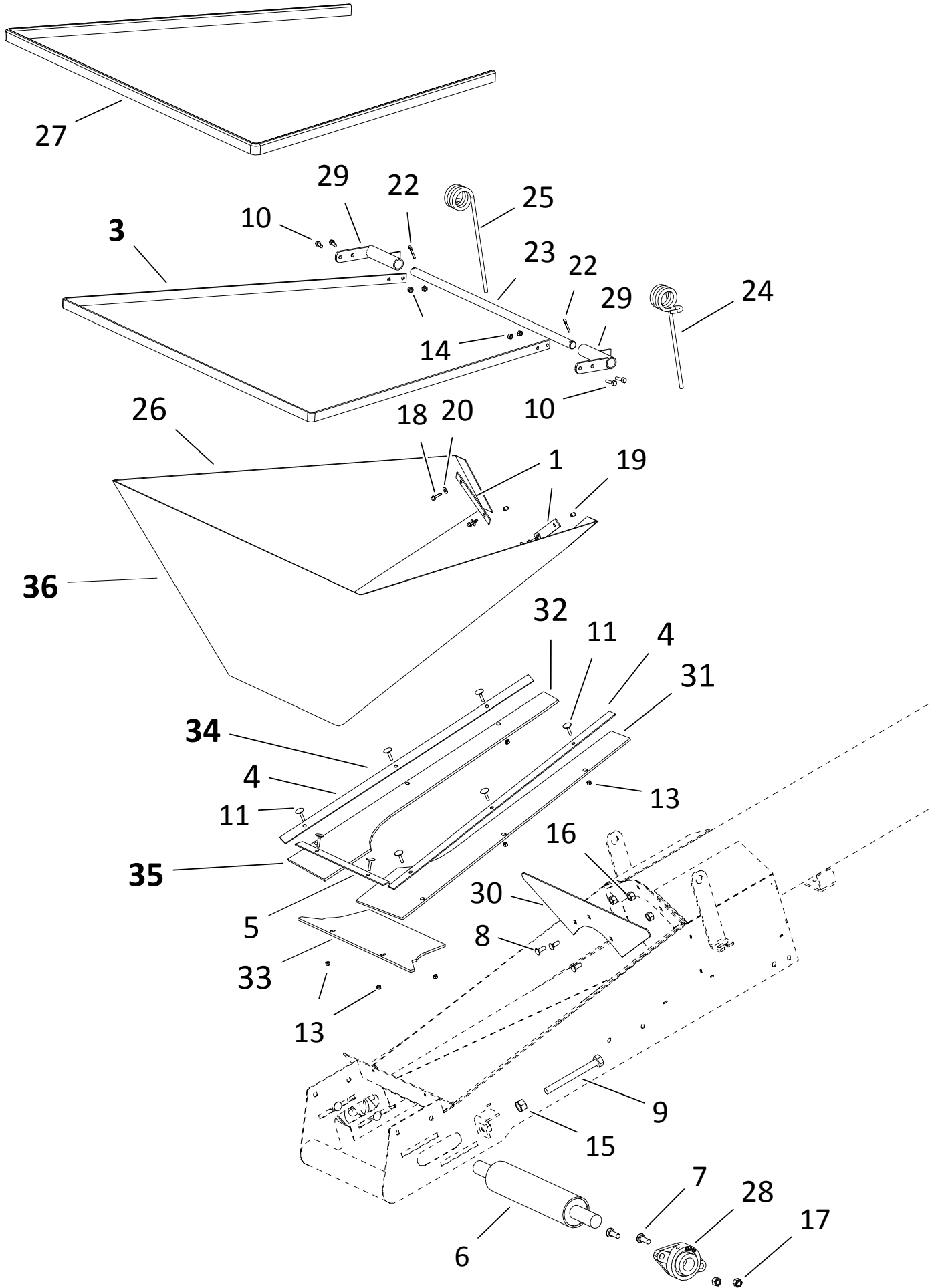
| ITEM | PART NO. | DESCRIPTION |
|------|-----------|------------------------------------|
| 47 | P0152004 | LOCK WASHER 1/4"PLATED |
| 48 | P0152010 | LOCK WASHER 5/16"PLATED |
| 49 | P0162001 | HITCH PIN 1/2" X 3" PLATED |
| 52 | P0183004 | U-BOLT 3" X 3" -PLATED |
| 53 | P0183005 | U-BOLT 5"X2" (3/4") PTD |
| 54 | P0615308 | TIRE ASM -6BLT ST205/75R15 LRC 6PL |
| 55 | P0712109 | CABLE CLAMP-3/8" |
| 56 | P0814030 | HYD CYL-4X30 |
| 57 | P1010001 | UNI-MOUNT PLATE CAST |
| 58 | P1012009 | JACK-7000LB SQ.TUBE 25" EXT |
| 59 | P1021006 | ROLLER HEX 15-7/8" |
| 60 | P1210030 | BELT GUIDE BLOCK |
| 61 | P1711001 | FLANGE UNIT-1-1/2"-SAFL208-24 |
| 62 | P2515002 | FRAME BUSHING |
| 63 | 15030015 | HITCH |
| 64 | 15010103 | HIGH CABLE BRIDGE |
| 65 | 15570751 | 1575 155' |
| 66 | P0183021 | 3/8" EYE BOLT ASM |
| 67 | P07111111 | CABLE-3/8" (112') |
| 68 | P1243001 | CABLE TIE 14" 120 LB |
| 69 | P2227989 | MANUAL HOLDER AND LID |



S-DRIVE (15590020)

| ITEM | PART NO. | DESCRIPTION |
|------|-----------|-------------------------------------|
| 1 | 15040001 | PINCH SD BOTTOM GUARD |
| 2 | 15060061 | SD COVER PLATE 6-1/2"ROLLER |
| 3 | 15060027 | S-DRIVE TENSION INDICATOR |
| 4 | 15060082 | PINCH TIGHTENER PLATE |
| 5 | 15060504 | PRETENSIONER 1550 |
| 6 | 15061045 | S-DRIVE PINCH |
| 7 | 15061046 | SIDE GUARD LH |
| 8 | 15061047 | SIDE GUARD RH |
| 9 | 15062010 | PINCH PIPE |
| 10 | 15062179 | S-DRIVE SLIDER BOLT PLATE - BOTTOM |
| 11 | 15062180 | S-DRIVE SLIDER BOLT PLATE - TOP |
| 12 | 15070019 | 3-1/2"TAKE-UP (PINCH) |
| 13 | 15070020 | 3-1/2"TAKE-UP 19.5"SHAFT |
| 14 | 15070030 | DRIVE ROLLER-6-1/2" W/EXT SHAFT |
| 15 | P0113000 | SPRING TENSION BOLT |
| 16 | P0113001 | CARRIAGE BOLT 1/2"X2" PLATED |
| 17 | P0113004 | CARRIAGE BOLT 1/2"X1-1/2"PLATED |
| 18 | P0118033 | BOLT 1/4" X 3/4" GR8 PLATED |
| 19 | P0118046 | BOLT 3/8" X 1" GR8 PLATED |
| 20 | P0131019 | NUT 3/4" PLATED GRADE 8 |
| 21 | P0134026 | LOCKNUT-NYLON-3/8" GRADE 8 |
| 22 | P0134008 | LOCKNUT-NYLON-1/2" |
| 23 | P0145004 | SET SCREW-7/16"X1-1/2"SQ.HD.PLATED |
| 24 | P0151015 | FLAT WASHER 3/4"PLATED USS |
| 25 | P0152004 | LOCK WASHER 1/4"PLATED |
| 26 | P0167001 | SPRING PIN 1/4" X 1-1/2" |
| 27 | P0351015 | MACHINERY BUSH 3/4"X1-1/4"-14G PTD. |
| 28 | P0511008 | SPRING-LD-1300 SERIES |
| 29 | P0820129 | BUSHING BRASS FLANGED |
| 30 | P1210102 | BELT TIGHTENER SLIDER PLATE FL208 |
| 31 | P1711001 | FLANGE UNIT-1-1/2"-SAFL208-24 |
| 32 | P1711004 | FLANGE UNIT-1"-SAFL205-16 |
| 33 | P1721001 | TAKE-UP UNIT-1-1/4"-T206-20 |
| 34 | P2515006 | 15 S-DRIVE TIGHTENER BOLT |
| 35 | P20315001 | S-DRIVE RETURN-1" ROLLER |
| 36 | P0113003 | CARRIAGE BOLT 1/2"X2-1/2"PLATED |
| 37 | P0151009 | FLAT WASHER 3/8"PLATED USS |
| 38 | P0151037 | FLAT WASHER 0.531 SQUARE-1.00-0.060 |

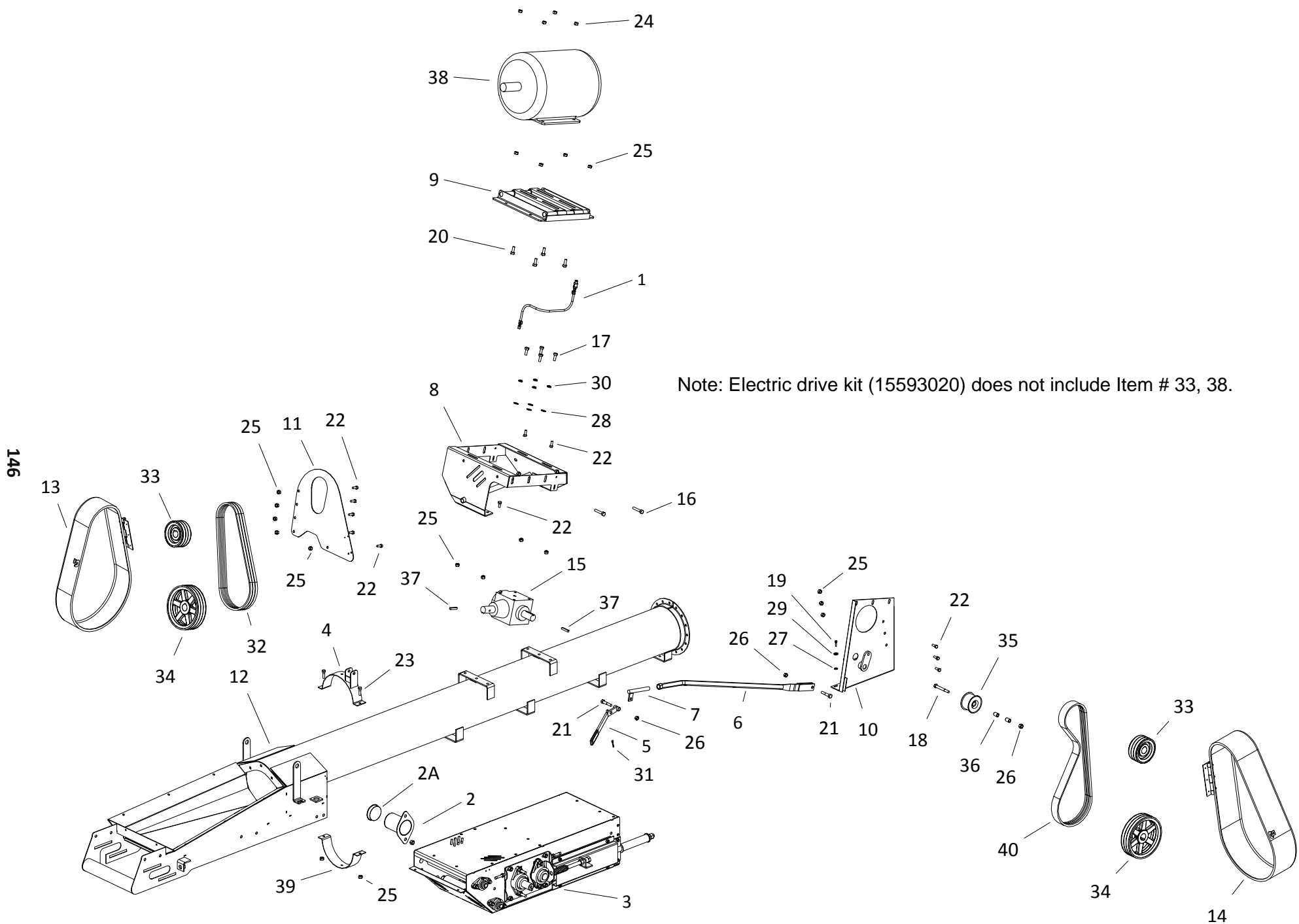
HOPPER (15000304P)



HOPPER (15000304P)

| ITEM | PART NO. | DESCRIPTION |
|------|-----------|---------------------------------|
| 1 | 13052001 | LOWER CLOTH FRAME STD BACK |
| 3 | 15052004 | UPPER CLOTH FRAME STD |
| 4 | 15052101 | LOWER CLOTH FRAME STD SIDE |
| 5 | 15052102 | LOWER CLOTH FRAME STD FRONT |
| 6 | 15070009 | HOPPER/SPOUT ROLLER LAGGED |
| 7 | P0113004 | CARRIAGE BOLT 1/2"X1-1/2"PLATED |
| 8 | P0113015 | CARRIAGE BOLT 3/8"X1" PLATED |
| 9 | P0114007 | TAP BOLT 3/4 X 7 PLATED |
| 10 | P0118061 | BOLT 5/16" X 1" GR8 PLATED |
| 11 | P0116001 | ELEVATOR BOLT 1/4"X1-1/4" |
| 13 | P0131016 | NUT 1/4" PLATED GRADE 8 |
| 14 | P0131017 | NUT 5/16" PLATED GRADE 8 |
| 15 | P0131019 | NUT 3/4" PLATED GRADE 8 |
| 16 | P0134026 | LOCKNUT-NYLON-3/8" GRADE 8 |
| 17 | P0134008 | LOCKNUT-NYLON-1/2" |
| 18 | P0141002 | TEK SCREW 1/4"X1" |
| 19 | P0145001 | VINYL SCREW CAP |
| 20 | P0151006 | FLAT WASHER 1/4"PLATED USS |
| 22 | P0161003 | COTTER PIN 3/16"X1-1/2"PLATED |
| 23 | P0162007 | HOPPER PIVOT SHAFT-13/15 |
| 24 | P0521001 | HOPPER SPRING-L |
| 25 | P0521002 | HOPPER SPRING-R |
| 26 | P1621007 | HOPPER CANVAS-15 CONV. |
| 27 | P1641015 | TRIM LOCK |
| 28 | P1711001 | FLANGE UNIT-1-1/2"-SAFL208-24 |
| 29 | P2515017 | PIVOT SHAFT BRACKET |
| 30 | P11150047 | HOPPER SHIELD |
| 31 | P19159000 | HOPPER LEFT FLASHING STD |
| 32 | P19159001 | HOPPER RIGHT FLASHING STD |
| 33 | P19159002 | HOPPER FRONT FLASHING STD |
| 34 | 15000314 | HOPPER -LINER KIT STD |
| 35 | 15000306P | HOPPER -FLASHING ONLY STD |
| 36 | 15000304P | HOPPER -COLLAPSABLE STD |

1575 ELECTRIC DRIVE KIT (15593020)



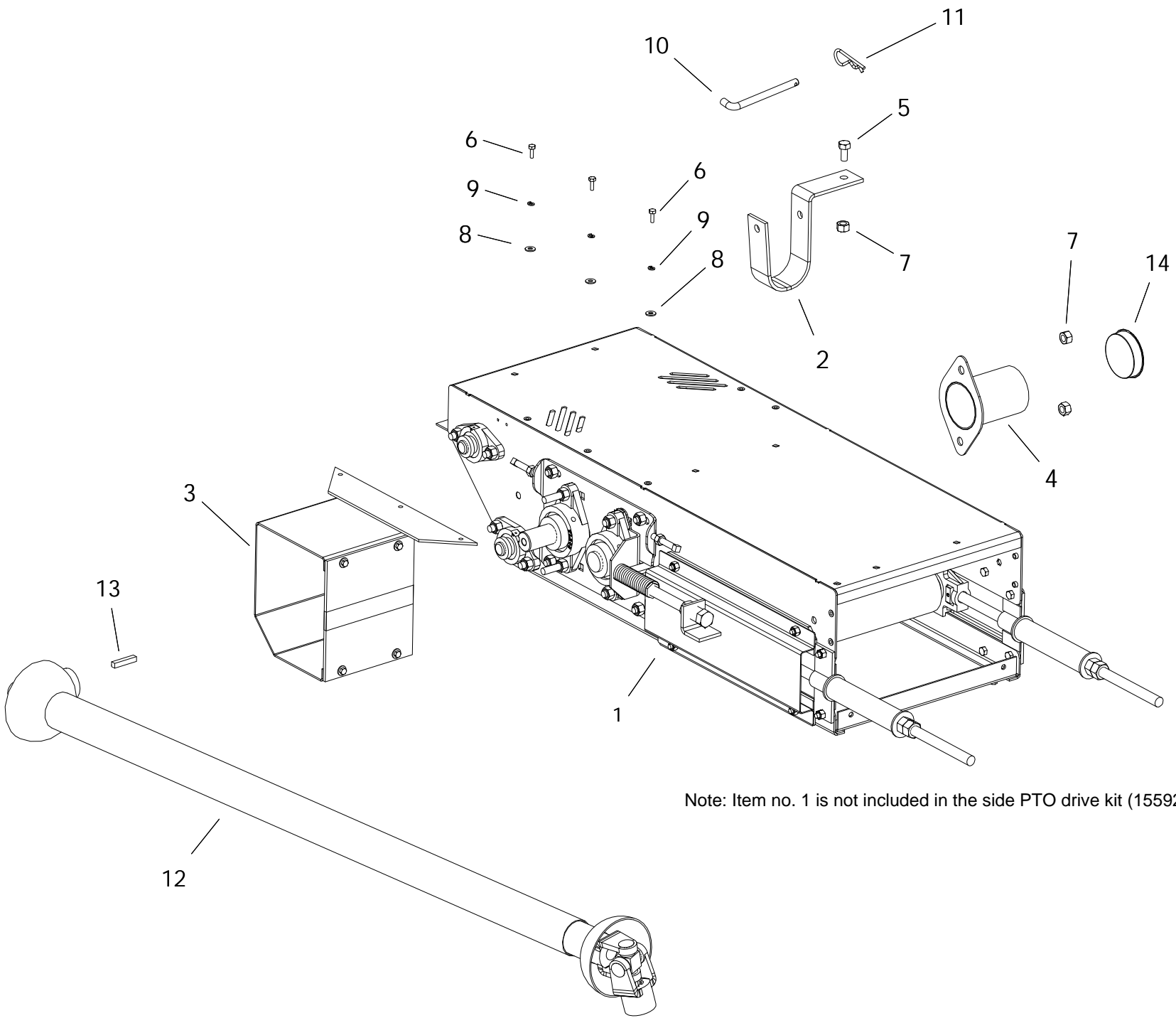
146

14

1575 ELECTRIC DRIVE KIT (15593020)

| ITEM | PART NO. | DESCRIPTION |
|------|-----------|------------------------------------|
| 1 | 01010003 | BREATHER DIRECT DRIVE |
| 2 | 24041038 | SHAFT GUARD(FL-210) |
| 2A | P1210033 | 501 SHAFT GUARD PLUG |
| 3 | 15590020 | S-DRIVE ASM W/PINCH |
| 4 | 13010048 | MOTOR MT OVERCENTER ANCHOR BKT |
| 5 | 13010054 | MOTOR MT OVERCENTER HANDLE |
| 6 | 13060068 | MOTOR MT OVERCENTER PUSHROD |
| 7 | 13060074 | OVERCENTER ADJUSTER |
| 8 | 13060102 | MOTOR MOUNT |
| 9 | 13060103 | SLIDER MOUNT |
| 10 | 13060105 | MOTOR MOUNT BACK PLATE |
| 11 | 13060107 | ENGINE GUARD BACK |
| 12 | 15020040 | BT HOPPER SECTION 10' WITH SD BKTS |
| 13 | 15040055 | PINCH GUARD SMALL ASSEMBLED |
| 14 | 15040056 | PINCH GUARD MED ASSEMBLED |
| 15 | 15591001 | GBOX 90 2:1 CW/CW 1-1/2 4190 W/OIL |
| 16 | P0114005 | TAP BOLT 1/2 X 2-1/2 GR.8 PLATED |
| 17 | P0118020 | BOLT 1/2" X 1-1/4" GR8 PLATED |
| 18 | P0118130 | BOLT 1/2" X 4" GR8 PLATED |
| 19 | P0118131 | BOLT 1/4" X 1" GR8 PLATED |
| 20 | P0118061 | BOLT 5/16" X 1" GR8 PLATED |
| 21 | P0118016 | BOLT 1/2" X 2" GR8 PLATED |
| 22 | P0118076 | BOLT 7/16"X1" GRADE 8 PLATED |
| 23 | P0118077 | BOLT 7/16"X1-1/2" GRADE 8 PLATED |
| 24 | P0134027 | LOCKNUT-NYLON-5/16" GRADE 8 |
| 25 | P0134007 | LOCKNUT-NYLON-7/16" |
| 26 | P0134008 | LOCKNUT-NYLON-1/2" |
| 27 | P0151006 | FLAT WASHER 1/4"PLATED USS |
| 28 | P0151029 | FLAT WASHER 1/2"PLATED USS |
| 29 | P0152004 | LOCK WASHER 1/4"PLATED |
| 30 | P0152008 | LOCK WASHER 1/2"PLATED |
| 31 | P0161003 | COTTER PIN 3/16"X1-1/2"PLATED |
| 32 | P0321052 | BELT B52 |
| 33 | P0328050 | PULLEY-TRPL-6" W/1-1/2"BORE |
| 34 | P0328079 | PULLEY-TRPL-10" W/1-1/2"BORE |
| 35 | P0328910 | IDLER-FLAT-4"TRPL 2-7/16"WIDE |
| 36 | P0351019 | DNR-BUSHING 3/4"ODX1/2"IDX1"BRONZE |
| 37 | P0391002 | KEY 3/8" X 2" LONG |
| 38 | P0931005 | MOTOR 10HP 3PH 230/460V 1740RPM |
| 39 | P2219801P | U-CLAMP HANGER-10"X2-1/2"-BLACK |
| 40 | P03210652 | BELT 3B65 BANDED |

SIDE P.T.O. DRIVE KIT 15 SERIES (15592200)

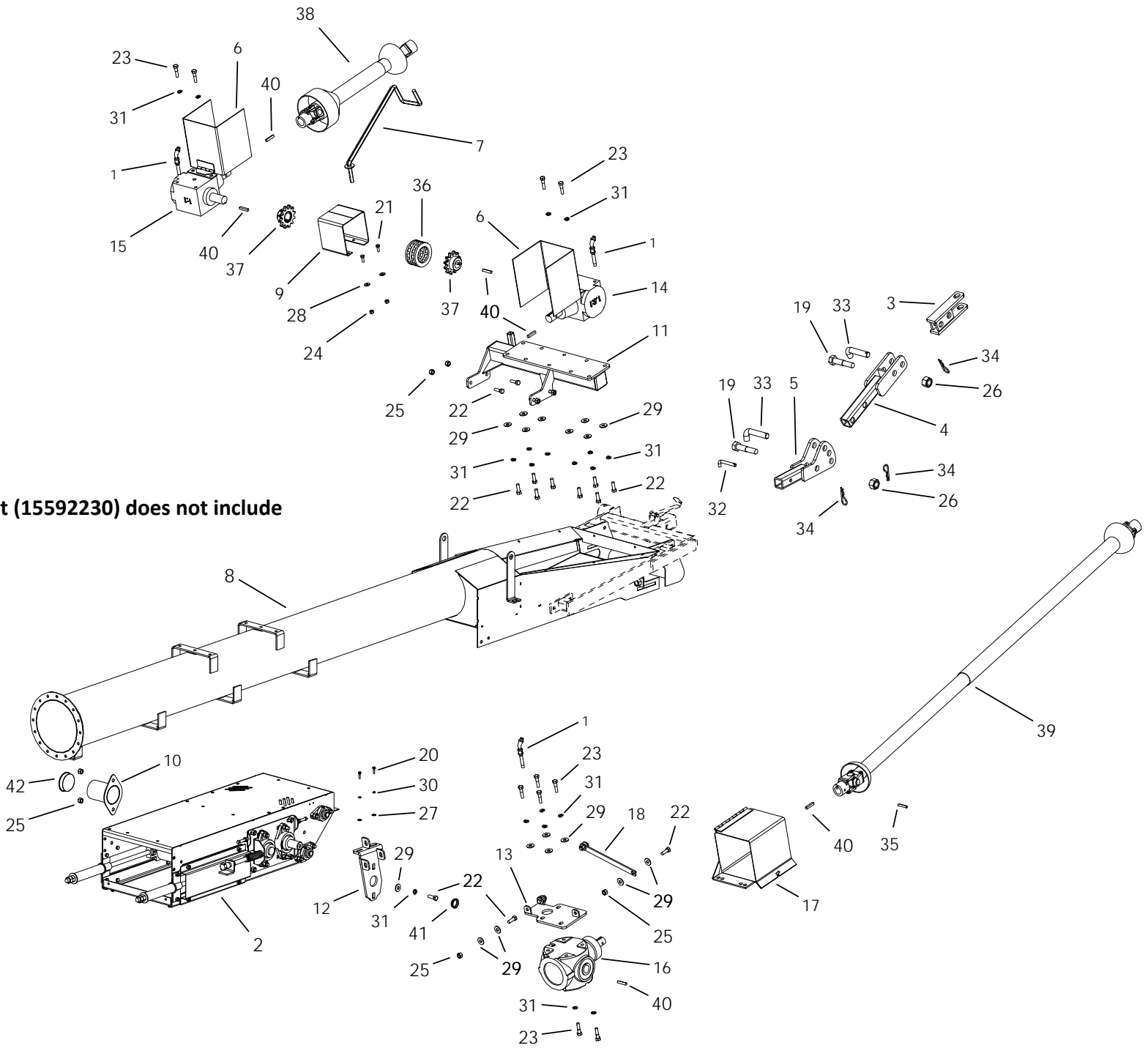


Note: Item no. 1 is not included in the side PTO drive kit (15592200)

SIDE P.T.O. DRIVE KIT 15 SERIES (15592200)

| ITEM | PART NO. | DESCRIPTION |
|------|----------|-----------------------------|
| 1 | 15590020 | S-DRIVE ASM W/PINCH |
| 2 | 13042018 | PTO CRADLE |
| 3 | 15040002 | PTO GUARD |
| 4 | 15041038 | SHAFT GUARD(FL-208) |
| 5 | P0118012 | BOLT 1/2" X 1" GR8 PLATED |
| 6 | P0118033 | BOLT 1/4" X 3/4" GR8 PLATED |
| 7 | P0134008 | LOCKNUT-NYLON-1/2" |
| 8 | P0151006 | FLAT WASHER 1/4"PLATED USS |
| 9 | P0152004 | LOCK WASHER 1/4"PLATED |
| 10 | P0162004 | HITCH PIN 1/2" X 5" PLATED |
| 11 | P0163001 | HAIR PIN 3/16" X 3-1/4" |
| 12 | P0381014 | PTO SHAFT 1-1/2"X75" |
| 13 | P0391002 | KEY 3/8" X 2" LONG |
| 14 | P1210033 | 501 SHAFT GUARD PLUG |

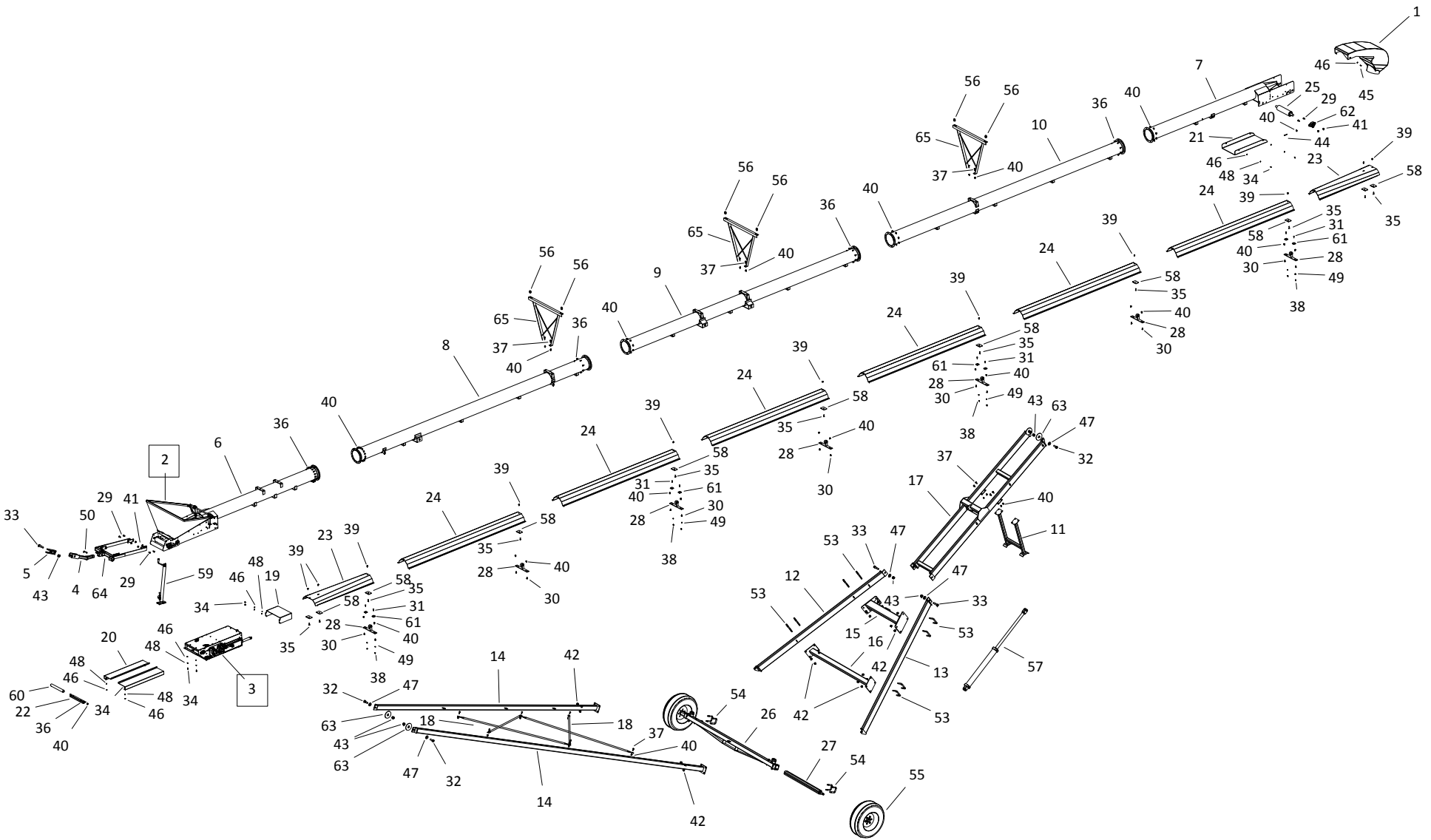
FRONT DRIVE PTO KIT 15 SERIES (15592230)



Note: Front PTO Kit (15592230) does not include item # 2, 8

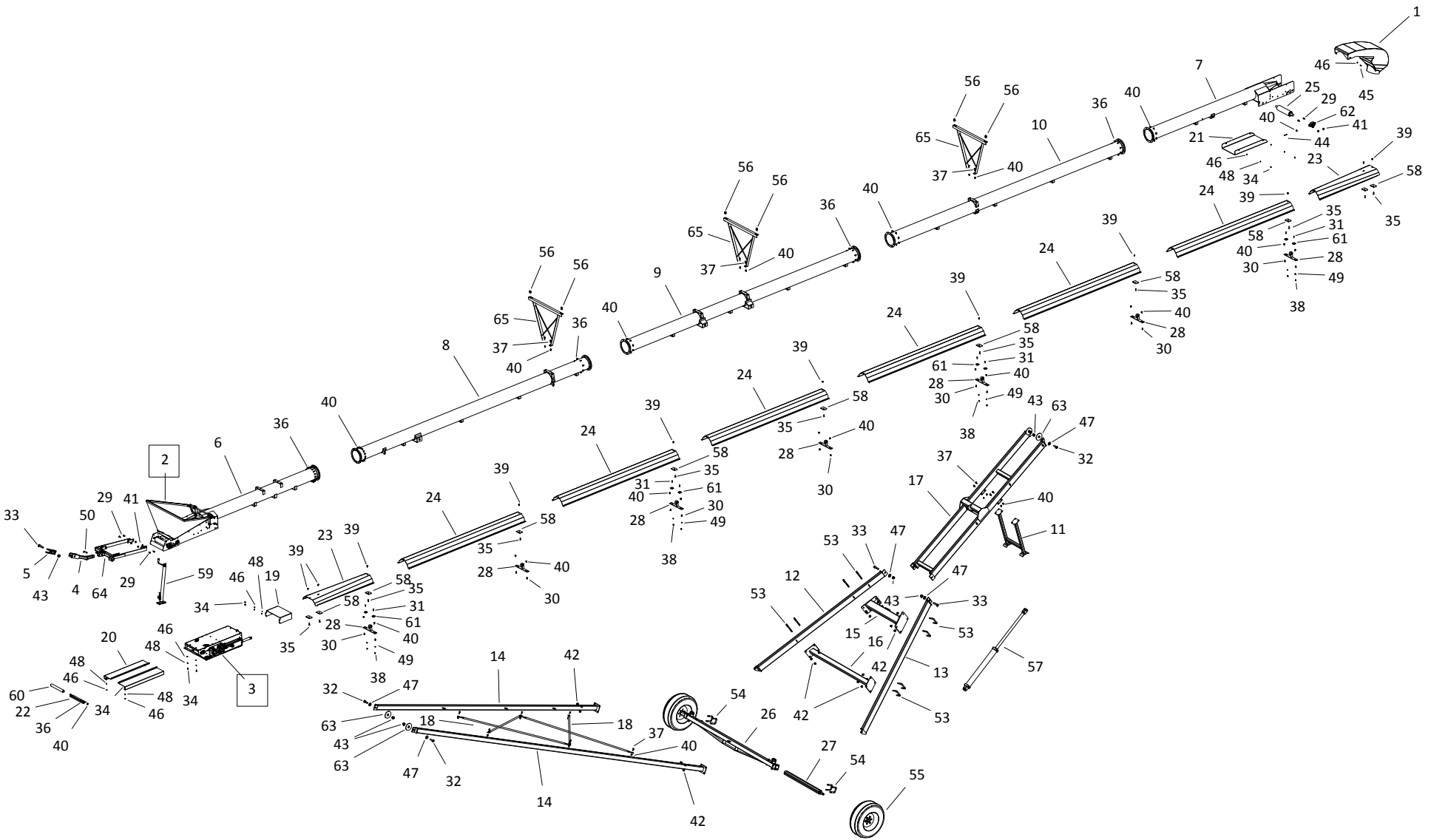
FRONT DRIVE PTO KIT 15 SERIES (15592230)

| ITEM | PART NO. | DESCRIPTION |
|------|----------|-------------------------------------|
| 1 | 01010002 | BREATHER -SWING AWAY |
| 2 | 15590020 | S-DRIVE ASM W/PINCH |
| 3 | 13030017 | CLEVIS |
| 4 | 13030064 | 13/15 ADJUSTABLE CLEVIS |
| 5 | 13030065 | 15 SWING ADJUSTABLE TONGUE |
| 6 | 13040011 | PTO GUARD SWING |
| 7 | 13090019 | SWING PTO CRADLE |
| 8 | 15020040 | BT HOPPER SECTION 10' WITH SD BKTS |
| 9 | 15040009 | COUPLING GUARD |
| 10 | 15041038 | SHAFT GUARD(FL-208) |
| 11 | 15090067 | GEARBOX MOUNT PLATFORM |
| 12 | 15090071 | SWING GEARBOX SIDE MT (SD) |
| 13 | 15090072 | SWING GEARBOX SIDE MT (GBOX) |
| 14 | 15591000 | GBOX 90 1:1 CW/CW 1-1/2 4190 W/OIL |
| 15 | 15591002 | GBOX 90 1:1 CW/CCW 1-1/2 4190 W/OIL |
| 16 | 15591003 | GBOX 90 1.5:1SFTMT 1-1/2 5190 W/OIL |
| 17 | 20040008 | GUARD 6190GB FLIP-UP |
| 18 | 20092097 | SWING 6190 GBOX SIDE MT (LINK ARM) |
| 19 | 0118007 | BOLT 1" X 4-1/2" GR8 PLATED |
| 20 | P0118131 | BOLT 1/4" X 1" GR8 PLATED |
| 21 | P0118046 | BOLT 3/8" X 1" GR8 PLATED |
| 22 | P0118013 | BOLT 1/2"X1 1/2" GR.8 PLATED |
| 23 | P0118016 | BOLT 1/2" X 2" GR8 PLATED |
| 24 | P0134026 | LOCKNUT-NYLON-3/8" GRADE 8 |
| 25 | P0134008 | LOCKNUT-NYLON-1/2" |
| 26 | P0134030 | LOCKNUT-NYLON-1" GRADE 8 |
| 27 | P0151006 | FLAT WASHER 1/4"PLATED USS |
| 28 | P0151009 | FLAT WASHER 3/8"PLATED USS |
| 29 | P0151029 | FLAT WASHER 1/2"PLATED USS |
| 30 | P0152004 | LOCK WASHER 1/4"PLATED |
| 31 | P0152008 | LOCK WASHER 1/2"PLATED |
| 32 | P0162001 | HITCH PIN 1/2" X 3" PLATED |
| 33 | P0162003 | HITCH PIN 1" X 3-1/2" PLATED |
| 34 | P0163001 | HAIR PIN 3/16" X 3-1/4" |
| 35 | P0167002 | SPRING PIN 3/8" X 2" |
| 36 | P0311003 | CHAIN FOR DRIVE(80-2RX12+CL) |
| 37 | P0338122 | SPROCKET-H80B12 X 1-1/2 |
| 38 | P0381003 | CV SHAFT-14E W/1-1/2"IMP.END |
| 39 | P0381028 | PTO SHAFT-1-1/2" BOTH ENDS-105"-35 |
| 40 | P0391002 | KEY 3/8" X 2" LONG |
| 41 | P1210022 | RECESSED HEAD BUTTON PLUG 1-1/2" |
| 42 | P1210033 | 501 SHAFT GUARD PLUG |
| 43 | 15030015 | HITCH |



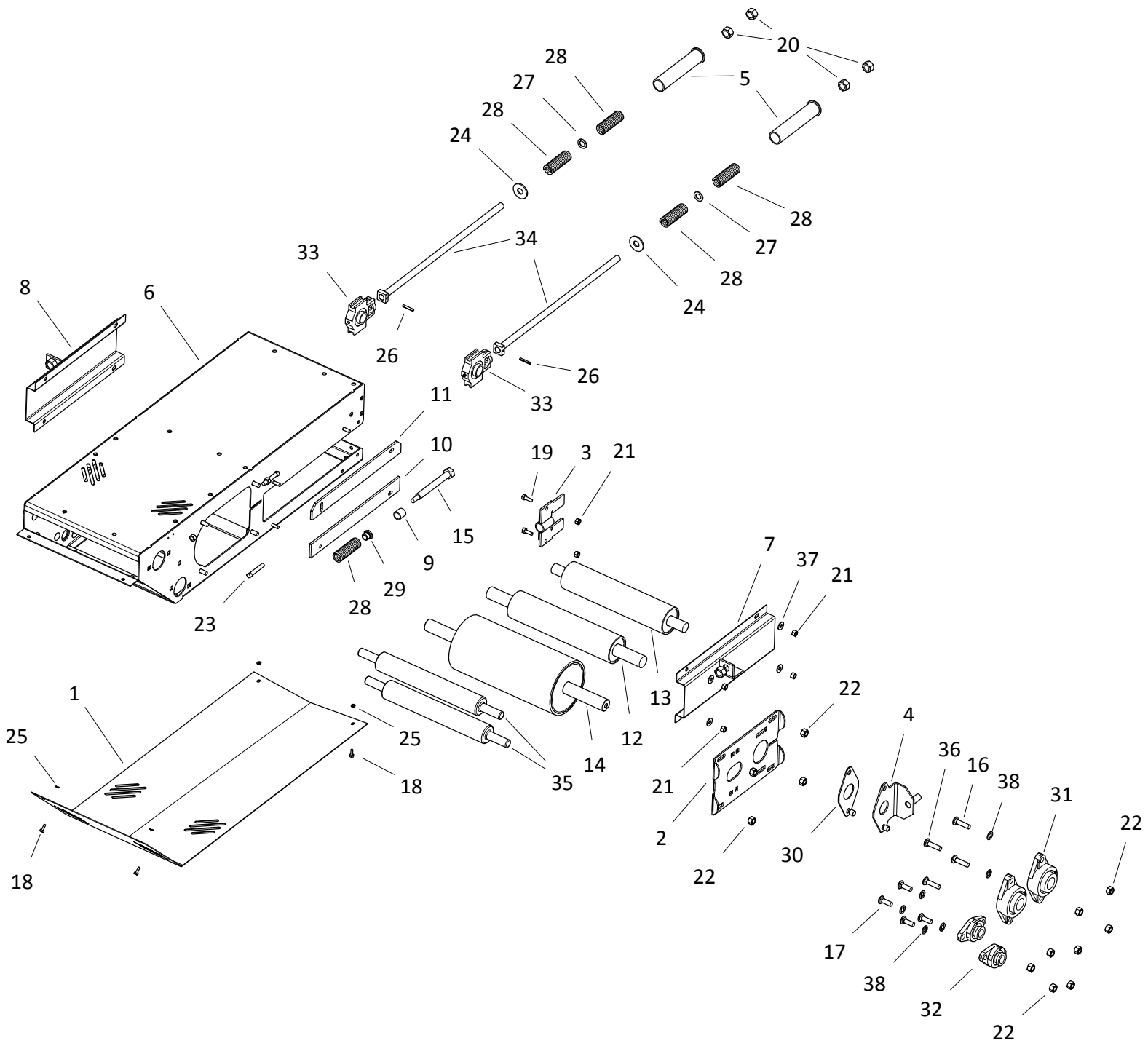
1585 SD-15508511

| ITEM | PART NO. | DESCRIPTION |
|------|-----------|-------------------------------------|
| 1 | P1211501 | HOOD-ROUND 15 SERIES (KANBAN) |
| 2 | 15000304P | HOPPER -COLLAPSABLE STD |
| 3 | 15590020 | S-DRIVE ASM W/PINCH |
| 4 | 13030016 | Tongue |
| 5 | 13030017 | CLEVIS |
| 6 | 15020040 | BT HOPPER SECTION 10' WITH SD BKTS |
| 7 | 15020045 | SPOUT SECTION 10' W/CABLE RTRN BKT |
| 8 | 15020051 | BOTTOM TUBE WITH ANCHORS |
| 9 | 15020052 | SUSPENSION BRACKET TUBE |
| 10 | 15020053 | UPPER CENTER 20' TUBE |
| 11 | 15031038 | 85 TRANSPORT BRACE |
| 12 | 15031039 | 85 LIFT ARM RIGHT |
| 13 | 15031040 | 85 LIFT ARM LEFT |
| 14 | 15031041 | 85 AXLE ARM |
| 15 | 15031043 | 85 UPPER LIFT ARM BRACE |
| 16 | 15031044 | LOWER LIFT ARM BRACE 85 |
| 17 | 15031045 | LADDER 85 |
| 18 | 15032030 | CROSS BRACE |
| 19 | 15040040 | PINCH DRIVE FRONT GUARD |
| 20 | 15042040 | SD-HOPPER BELT GUARD |
| 21 | 15042093 | SPOUT BOTTOM COVER |
| 22 | 15042094 | HOPPER GUARD BRACKET |
| 23 | 15042102 | WEATHER GUARD 5' FLR - 61-1/2" |
| 24 | 15042121 | WEATHER GUARD 10' - 121-1/2" |
| 25 | 15070009 | HOPPER/SPOUT ROLLER LAGGED |
| 26 | 20030109 | AXLE EXTENDABLE 85 |
| 27 | 20030500 | AXLE EXTENSION (WITH 6 LUGS) |
| 28 | 150100911 | WEATHER GUARD MOUNT BAR KIT-POLY |
| 29 | P0113004 | CARRIAGE BOLT 1/2"X1-1/2"PLATED |
| 30 | P0113013 | CARRIAGE BOLT 7/16"X1" PLATED |
| 31 | P0113020 | CARRIAGE BOLT 5/16"X1-1/2"PLATED |
| 32 | P0118004 | BOLT 1" X 3" GR8 PLATED |
| 33 | P0118007 | BOLT 1" X 4-1/2" GR8 PLATED |
| 34 | P0118033 | BOLT 1/4" X 3/4" GR8 PLATED |
| 35 | P0115303 | CAPSCREW 3/8X1-1/4FLT HD SOCKET PTD |
| 36 | P0118076 | BOLT 7/16"X1" GRADE 8 PLATED |
| 37 | P0118077 | BOLT 7/16"X1-1/2" GRADE 8 PLATED |
| 38 | P0131017 | NUT 5/16" PLATED GRADE 8 |
| 39 | P0134026 | LOCKNUT-NYLON-3/8" GRADE 8 |
| 40 | P0134007 | LOCKNUT-NYLON-7/16" |
| 41 | P0134008 | LOCKNUT-NYLON-1/2" |
| 42 | P0134029 | LOCKNUT-NYLON-3/4" GRADE 8 |
| 43 | P0134030 | LOCKNUT-NYLON-1" GRADE 8 |
| 44 | P0145002 | SET SCREW-7/16"X2-1/2"SQ.HD. |
| 45 | P0141002 | TEK SCREW 1/4"X1" |
| 46 | P0151006 | FLAT WASHER 1/4"PLATED USS |



1585 SD-15508511

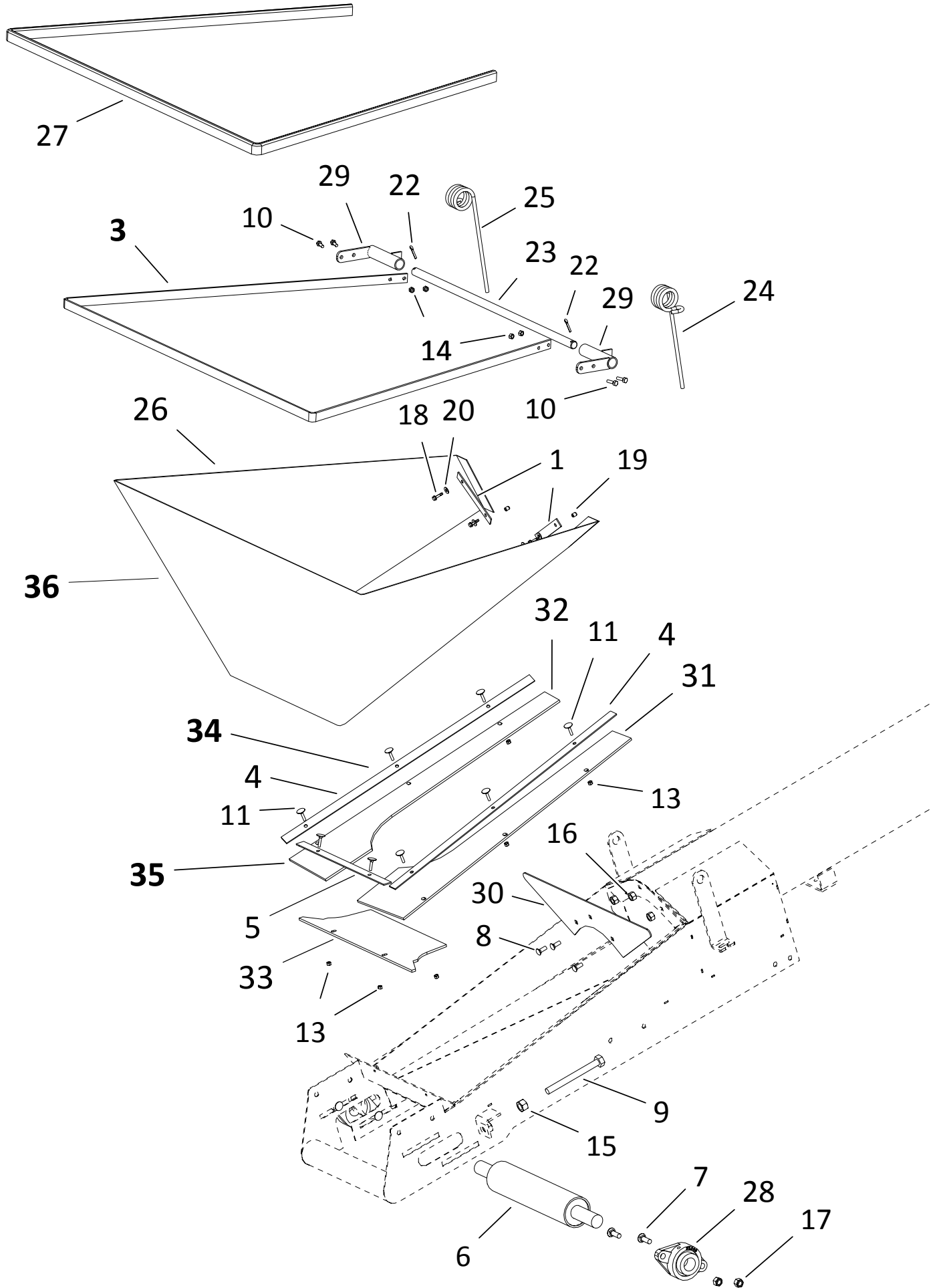
| ITEM | PART NO. | DESCRIPTION |
|------|----------|------------------------------------|
| 47 | P0151031 | FLAT WASHER 1"PLATED USS |
| 48 | P0152004 | LOCK WASHER 1/4"PLATED |
| 49 | P0152010 | LOCK WASHER 5/16"PLATED |
| 50 | P0162001 | HITCH PIN 1/2" X 3" PLATED |
| 53 | P0183006 | U-BOLT 6" X 2" -PLATED |
| 54 | P0183012 | U-BOLT 3-1/2" X 3-1/2" X 3/4"PTD |
| 55 | P0615308 | TIRE ASM -6BLT ST205/75R15 LRC 6PL |
| 56 | P0712109 | CABLE CLAMP-3/8" |
| 57 | P0814036 | HYD CYL 4 X 36 |
| 58 | P1010001 | UNI-MOUNT PLATE CAST |
| 59 | P1012009 | JACK-7000LB SQ.TUBE 25" EXT |
| 60 | P1021006 | ROLLER HEX 15-7/8" |
| 61 | P1210030 | BELT GUIDE BLOCK |
| 62 | P1711001 | FLANGE UNIT-1-1/2"-SAFL208-24 |
| 63 | P2515002 | FRAME BUSHING |
| 64 | 15030015 | HITCH |
| 65 | 15010103 | HIGH CABLE BRIDGE |
| 66 | 15570851 | 1585 175' |
| 67 | P0183021 | 3/8" EYE BOLT ASM |
| 68 | P0711112 | CABLE-3/8" (136') |
| 69 | P0711115 | CABLE-3/8" (68') |
| 70 | P1243001 | CABLE TIE 14" 120 LB |
| 71 | P2227989 | MANUAL HOLDER AND LID |



S-DRIVE (15590020)

| ITEM | PART NO. | DESCRIPTION |
|------|-----------|-------------------------------------|
| 1 | 15040001 | PINCH SD BOTTOM GUARD |
| 2 | 15060061 | SD COVER PLATE 6-1/2"ROLLER |
| 3 | 15060027 | S-DRIVE TENSION INDICATOR |
| 4 | 15060082 | PINCH TIGHTENER PLATE |
| 5 | 15060504 | PRETENSIONER 1550 |
| 6 | 15061045 | S-DRIVE PINCH |
| 7 | 15061046 | SIDE GUARD LH |
| 8 | 15061047 | SIDE GUARD RH |
| 9 | 15062010 | PINCH PIPE |
| 10 | 15062179 | S-DRIVE SLIDER BOLT PLATE - BOTTOM |
| 11 | 15062180 | S-DRIVE SLIDER BOLT PLATE - TOP |
| 12 | 15070019 | 3-1/2"TAKE-UP (PINCH) |
| 13 | 15070020 | 3-1/2"TAKE-UP 19.5"SHAFT |
| 14 | 15070030 | DRIVE ROLLER-6-1/2" W/EXT SHAFT |
| 15 | P0113000 | SPRING TENSION BOLT |
| 16 | P0113001 | CARRIAGE BOLT 1/2"X2" PLATED |
| 17 | P0113004 | CARRIAGE BOLT 1/2"X1-1/2"PLATED |
| 18 | P0118033 | BOLT 1/4" X 3/4" GR8 PLATED |
| 19 | P0118046 | BOLT 3/8" X 1" GR8 PLATED |
| 20 | P0131019 | NUT 3/4" PLATED GRADE 8 |
| 21 | P0134026 | LOCKNUT-NYLON-3/8" GRADE 8 |
| 22 | P0134008 | LOCKNUT-NYLON-1/2" |
| 23 | P0145004 | SET SCREW-7/16"X1-1/2"SQ.HD.PLATED |
| 24 | P0151015 | FLAT WASHER 3/4"PLATED USS |
| 25 | P0152004 | LOCK WASHER 1/4"PLATED |
| 26 | P0167001 | SPRING PIN 1/4" X 1-1/2" |
| 27 | P0351015 | MACHINERY BUSH 3/4"X1-1/4"-14G PTD. |
| 28 | P0511008 | SPRING-LD-1300 SERIES |
| 29 | P0820129 | BUSHING BRASS FLANGED |
| 30 | P1210102 | BELT TIGHTENER SLIDER PLATE FL208 |
| 31 | P1711001 | FLANGE UNIT-1-1/2"-SAFL208-24 |
| 32 | P1711004 | FLANGE UNIT-1"-SAFL205-16 |
| 33 | P1721001 | TAKE-UP UNIT-1-1/4"-T206-20 |
| 34 | P2515006 | 15 S-DRIVE TIGHTENER BOLT |
| 35 | P20315001 | S-DRIVE RETURN-1" ROLLER |
| 36 | P0113003 | CARRIAGE BOLT 1/2"X2-1/2"PLATED |
| 37 | P0151009 | FLAT WASHER 3/8"PLATED USS |
| 38 | P0151037 | FLAT WASHER 0.531 SQUARE-1.00-0.060 |

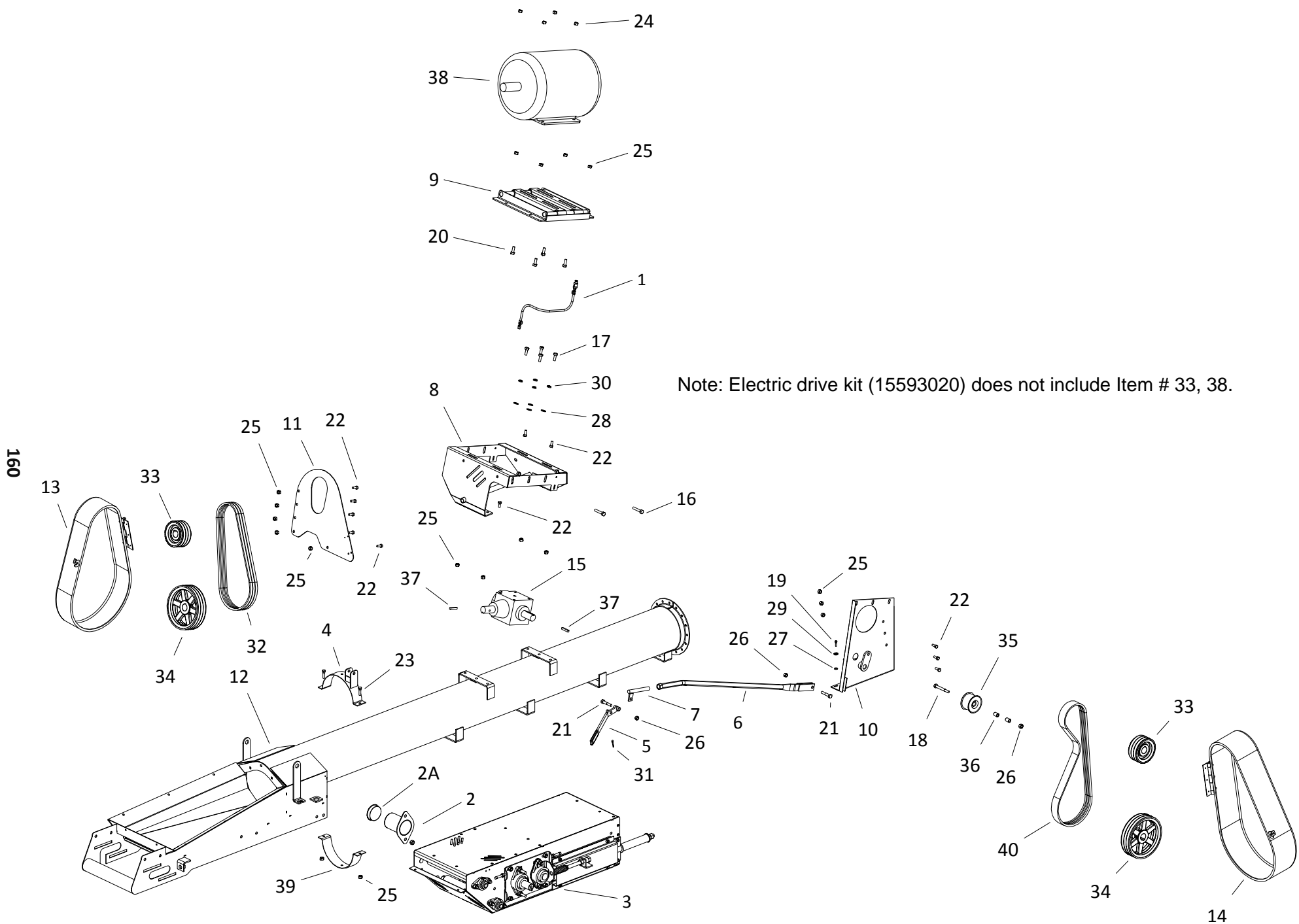
HOPPER (15000304P)



HOPPER (15000304P)

| ITEM | PART NO. | DESCRIPTION |
|------|-----------|---------------------------------|
| 1 | 13052001 | LOWER CLOTH FRAME STD BACK |
| 3 | 15052004 | UPPER CLOTH FRAME STD |
| 4 | 15052101 | LOWER CLOTH FRAME STD SIDE |
| 5 | 15052102 | LOWER CLOTH FRAME STD FRONT |
| 6 | 15070009 | HOPPER/SPOUT ROLLER LAGGED |
| 7 | P0113004 | CARRIAGE BOLT 1/2"X1-1/2"PLATED |
| 8 | P0113015 | CARRIAGE BOLT 3/8"X1" PLATED |
| 9 | P0114007 | TAP BOLT 3/4 X 7 PLATED |
| 10 | P0118061 | BOLT 5/16" X 1" GR8 PLATED |
| 11 | P0116001 | ELEVATOR BOLT 1/4"X1-1/4" |
| 13 | P0131016 | NUT 1/4" PLATED GRADE 8 |
| 14 | P0131017 | NUT 5/16" PLATED GRADE 8 |
| 15 | P0131019 | NUT 3/4" PLATED GRADE 8 |
| 16 | P0134026 | LOCKNUT-NYLON-3/8" GRADE 8 |
| 17 | P0134008 | LOCKNUT-NYLON-1/2" |
| 18 | P0141002 | TEK SCREW 1/4"X1" |
| 19 | P0145001 | VINYL SCREW CAP |
| 20 | P0151006 | FLAT WASHER 1/4"PLATED USS |
| 22 | P0161003 | COTTER PIN 3/16"X1-1/2"PLATED |
| 23 | P0162007 | HOPPER PIVOT SHAFT-13/15 |
| 24 | P0521001 | HOPPER SPRING-L |
| 25 | P0521002 | HOPPER SPRING-R |
| 26 | P1621007 | HOPPER CANVAS-15 CONV. |
| 27 | P1641015 | TRIM LOCK |
| 28 | P1711001 | FLANGE UNIT-1-1/2"-SAFL208-24 |
| 29 | P2515017 | PIVOT SHAFT BRACKET |
| 30 | P11150047 | HOPPER SHIELD |
| 31 | P19159000 | HOPPER LEFT FLASHING STD |
| 32 | P19159001 | HOPPER RIGHT FLASHING STD |
| 33 | P19159002 | HOPPER FRONT FLASHING STD |
| 34 | 15000314 | HOPPER -LINER KIT STD |
| 35 | 15000306P | HOPPER -FLASHING ONLY STD |
| 36 | 15000304P | HOPPER -COLLAPSABLE STD |

1585 ELECTRIC DRIVE KIT (15593020)



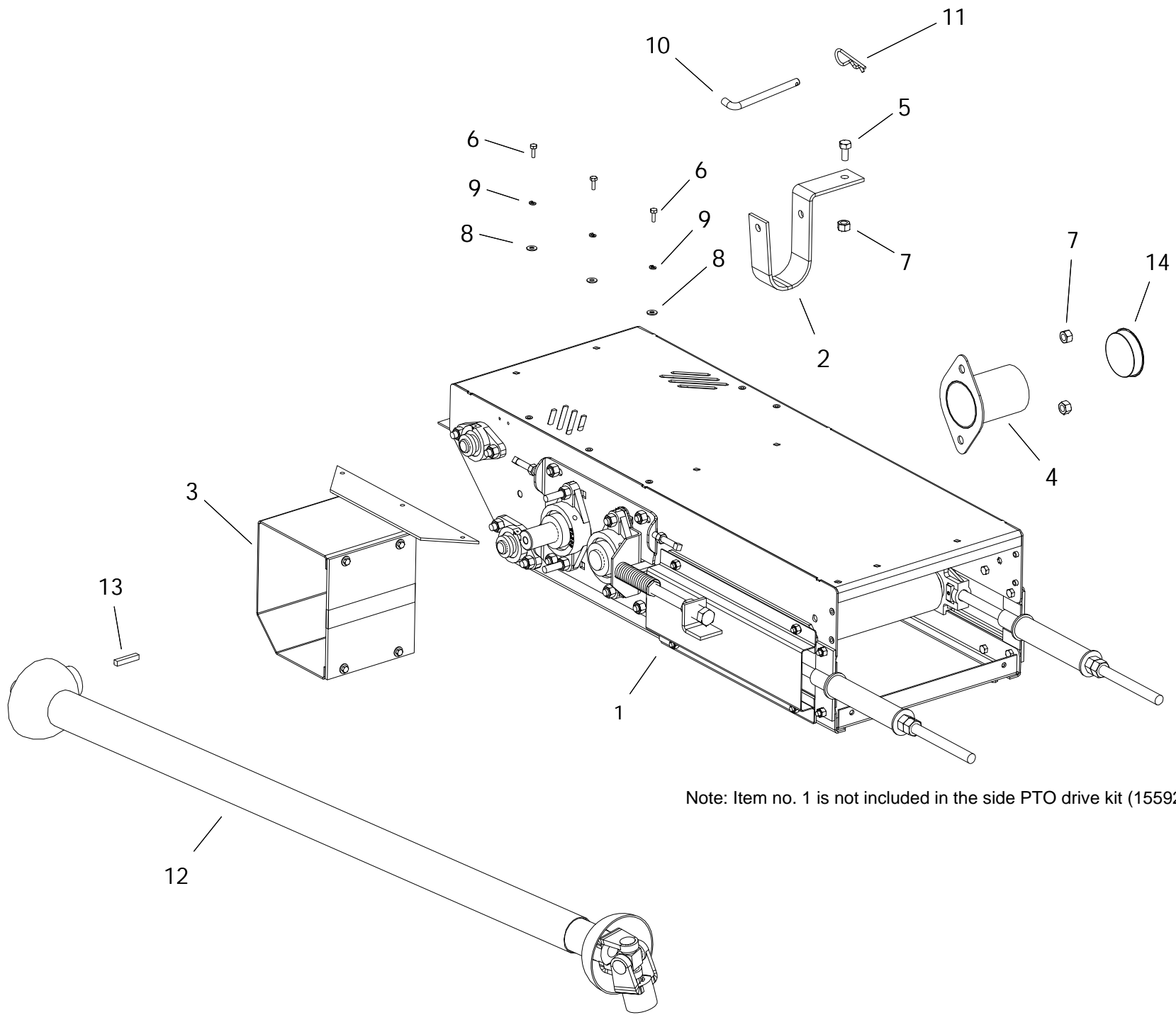
160

14

1585 ELECTRIC DRIVE KIT (15593020)

| ITEM | PART NO. | DESCRIPTION |
|------|-----------|------------------------------------|
| 1 | 01010003 | BREATHER DIRECT DRIVE |
| 2 | 24041038 | SHAFT GUARD(FL-210) |
| 2A | P1210033 | 501 SHAFT GUARD PLUG |
| 3 | 15590020 | S-DRIVE ASM W/PINCH |
| 4 | 13010048 | MOTOR MT OVERCENTER ANCHOR BKT |
| 5 | 13010054 | MOTOR MT OVERCENTER HANDLE |
| 6 | 13060068 | MOTOR MT OVERCENTER PUSHROD |
| 7 | 13060074 | OVERCENTER ADJUSTER |
| 8 | 13060102 | MOTOR MOUNT |
| 9 | 13060103 | SLIDER MOUNT |
| 10 | 13060105 | MOTOR MOUNT BACK PLATE |
| 11 | 13060107 | ENGINE GUARD BACK |
| 12 | 15020040 | BT HOPPER SECTION 10' WITH SD BKTS |
| 13 | 15040055 | PINCH GUARD SMALL ASSEMBLED |
| 14 | 15040056 | PINCH GUARD MED ASSEMBLED |
| 15 | 15591001 | GBOX 90 2:1 CW/CW 1-1/2 4190 W/OIL |
| 16 | P0114005 | TAP BOLT 1/2 X 2-1/2 GR.8 PLATED |
| 17 | P0118020 | BOLT 1/2" X 1-1/4" GR8 PLATED |
| 18 | P0118130 | BOLT 1/2" X 4" GR8 PLATED |
| 19 | P0118131 | BOLT 1/4" X 1" GR8 PLATED |
| 20 | P0118061 | BOLT 5/16" X 1" GR8 PLATED |
| 21 | P0118016 | BOLT 1/2" X 2" GR8 PLATED |
| 22 | P0118076 | BOLT 7/16"X1" GRADE 8 PLATED |
| 23 | P0118077 | BOLT 7/16"X1-1/2" GRADE 8 PLATED |
| 24 | P0134027 | LOCKNUT-NYLON-5/16" GRADE 8 |
| 25 | P0134007 | LOCKNUT-NYLON-7/16" |
| 26 | P0134008 | LOCKNUT-NYLON-1/2" |
| 27 | P0151006 | FLAT WASHER 1/4"PLATED USS |
| 28 | P0151029 | FLAT WASHER 1/2"PLATED USS |
| 29 | P0152004 | LOCK WASHER 1/4"PLATED |
| 30 | P0152008 | LOCK WASHER 1/2"PLATED |
| 31 | P0161003 | COTTER PIN 3/16"X1-1/2"PLATED |
| 32 | P0321052 | BELT B52 |
| 33 | P0328050 | PULLEY-TRPL-6" W/1-1/2"BORE |
| 34 | P0328079 | PULLEY-TRPL-10" W/1-1/2"BORE |
| 35 | P0328910 | IDLER-FLAT-4"TRPL 2-7/16"WIDE |
| 36 | P0351019 | DNR-BUSHING 3/4"ODX1/2"IDX1"BRONZE |
| 37 | P0391002 | KEY 3/8" X 2" LONG |
| 38 | P0931005 | MOTOR 10HP 3PH 230/460V 1740RPM |
| 39 | P2219801P | U-CLAMP HANGER-10"X2-1/2"-BLACK |
| 40 | P03210652 | BELT 3B65 BANDED |

SIDE P.T.O. DRIVE KIT 15 SERIES (15592200)

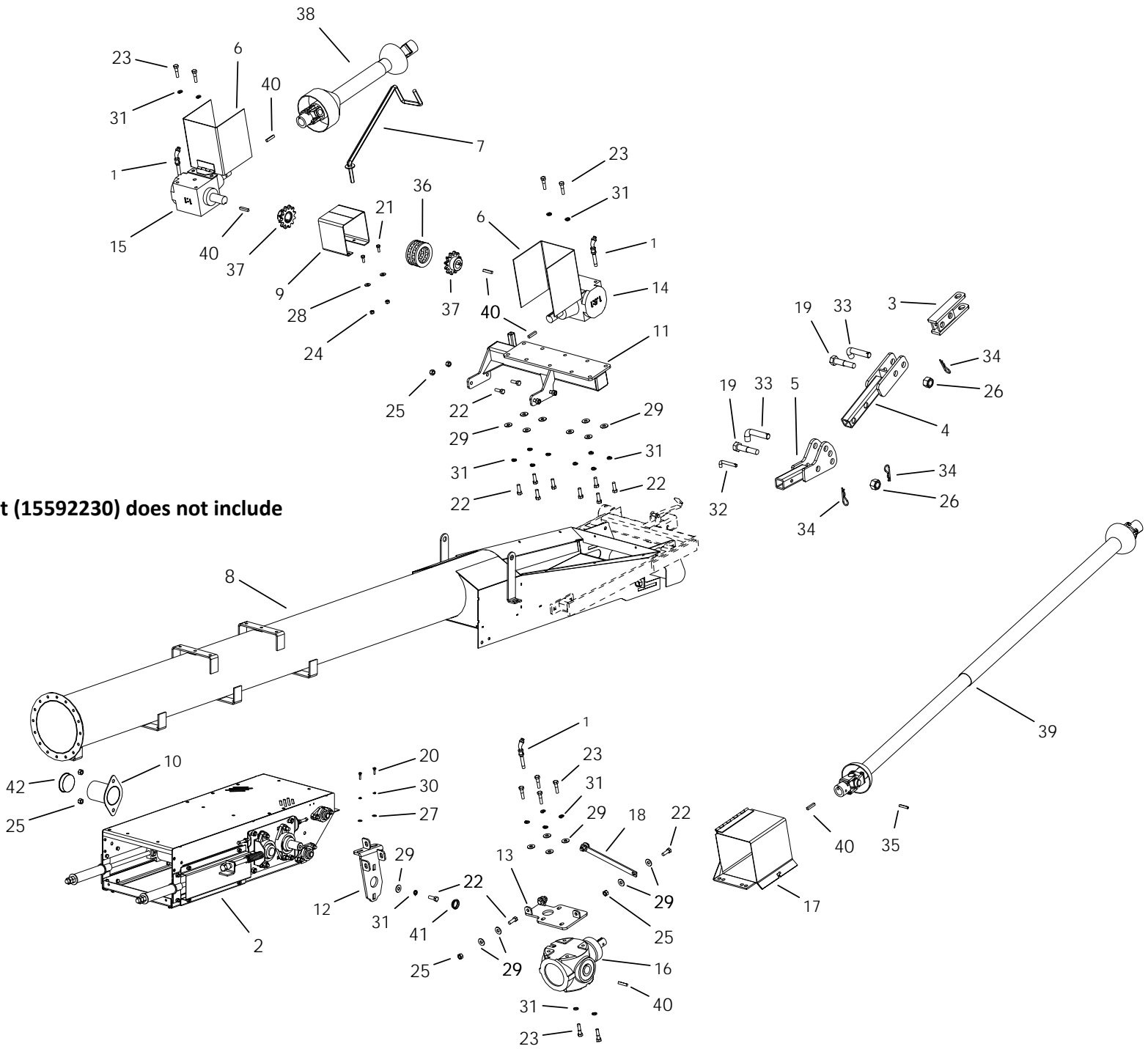


Note: Item no. 1 is not included in the side PTO drive kit (15592200)

SIDE P.T.O. DRIVE KIT 15 SERIES (15592200)

| ITEM | PART NO. | DESCRIPTION |
|------|----------|-----------------------------|
| 1 | 15590020 | S-DRIVE ASM W/PINCH |
| 2 | 13042018 | PTO CRADLE |
| 3 | 15040002 | PTO GUARD |
| 4 | 15041038 | SHAFT GUARD(FL-208) |
| 5 | P0118012 | BOLT 1/2" X 1" GR8 PLATED |
| 6 | P0118033 | BOLT 1/4" X 3/4" GR8 PLATED |
| 7 | P0134008 | LOCKNUT-NYLON-1/2" |
| 8 | P0151006 | FLAT WASHER 1/4"PLATED USS |
| 9 | P0152004 | LOCK WASHER 1/4"PLATED |
| 10 | P0162004 | HITCH PIN 1/2" X 5" PLATED |
| 11 | P0163001 | HAIR PIN 3/16" X 3-1/4" |
| 12 | P0381014 | PTO SHAFT 1-1/2"X75" |
| 13 | P0391002 | KEY 3/8" X 2" LONG |
| 14 | P1210033 | 501 SHAFT GUARD PLUG |

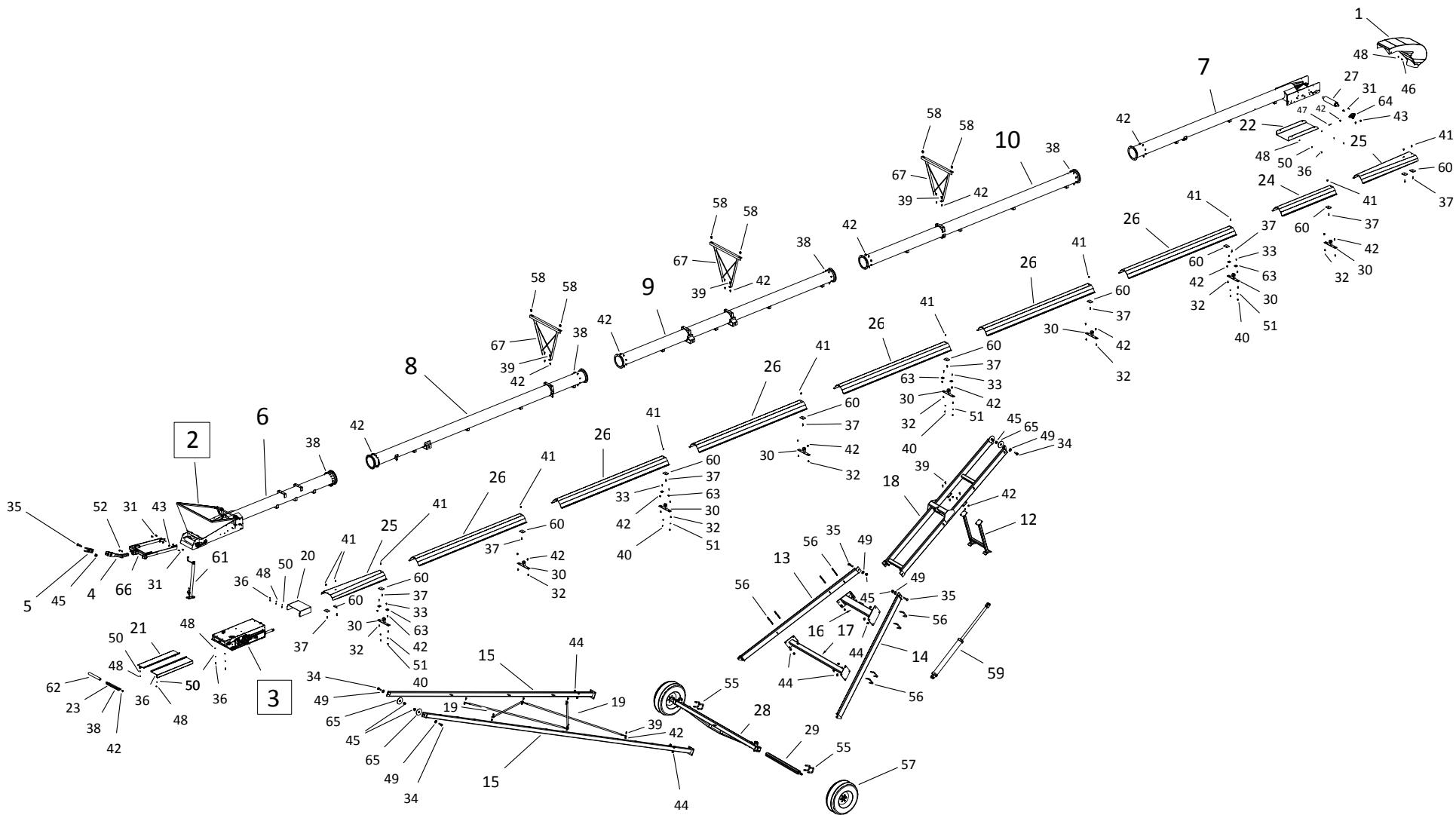
FRONT DRIVE PTO KIT 15 SERIES (15592230)



Note: Front PTO Kit (15592230) does not include item # 2, 8

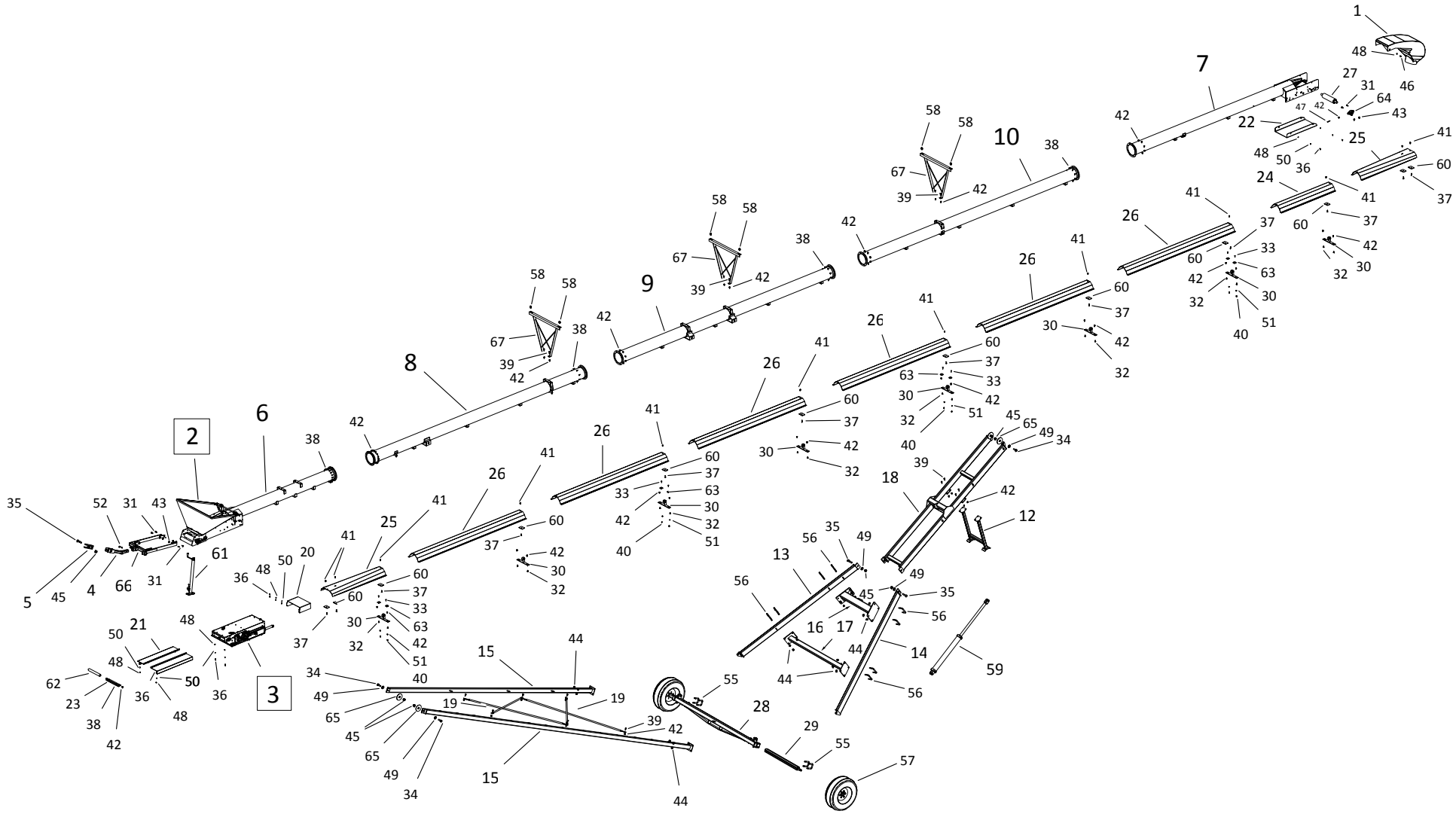
FRONT DRIVE PTO KIT 15 SERIES (15592230)

| ITEM | PART NO. | DESCRIPTION |
|------|----------|-------------------------------------|
| 1 | 01010002 | BREATHER -SWING AWAY |
| 2 | 15590020 | S-DRIVE ASM W/PINCH |
| 3 | 13030017 | CLEVIS |
| 4 | 13030064 | 13/15 ADJUSTABLE CLEVIS |
| 5 | 13030065 | 15 SWING ADJUSTABLE TONGUE |
| 6 | 13040011 | PTO GUARD SWING |
| 7 | 13090019 | SWING PTO CRADLE |
| 8 | 15020040 | BT HOPPER SECTION 10' WITH SD BKTS |
| 9 | 15040009 | COUPLING GUARD |
| 10 | 15041038 | SHAFT GUARD(FL-208) |
| 11 | 15090067 | GEARBOX MOUNT PLATFORM |
| 12 | 15090071 | SWING GEARBOX SIDE MT (SD) |
| 13 | 15090072 | SWING GEARBOX SIDE MT (GBOX) |
| 14 | 15591000 | GBOX 90 1:1 CW/CW 1-1/2 4190 W/OIL |
| 15 | 15591002 | GBOX 90 1:1 CW/CCW 1-1/2 4190 W/OIL |
| 16 | 15591003 | GBOX 90 1.5:1SFTMT 1-1/2 5190 W/OIL |
| 17 | 20040008 | GUARD 6190GB FLIP-UP |
| 18 | 20092097 | SWING 6190 GBOX SIDE MT (LINK ARM) |
| 19 | 0118007 | BOLT 1" X 4-1/2" GR8 PLATED |
| 20 | P0118131 | BOLT 1/4" X 1" GR8 PLATED |
| 21 | P0118046 | BOLT 3/8" X 1" GR8 PLATED |
| 22 | P0118013 | BOLT 1/2"X1 1/2" GR.8 PLATED |
| 23 | P0118016 | BOLT 1/2" X 2" GR8 PLATED |
| 24 | P0134026 | LOCKNUT-NYLON-3/8" GRADE 8 |
| 25 | P0134008 | LOCKNUT-NYLON-1/2" |
| 26 | P0134030 | LOCKNUT-NYLON-1" GRADE 8 |
| 27 | P0151006 | FLAT WASHER 1/4"PLATED USS |
| 28 | P0151009 | FLAT WASHER 3/8"PLATED USS |
| 29 | P0151029 | FLAT WASHER 1/2"PLATED USS |
| 30 | P0152004 | LOCK WASHER 1/4"PLATED |
| 31 | P0152008 | LOCK WASHER 1/2"PLATED |
| 32 | P0162001 | HITCH PIN 1/2" X 3" PLATED |
| 33 | P0162003 | HITCH PIN 1" X 3-1/2" PLATED |
| 34 | P0163001 | HAIR PIN 3/16" X 3-1/4" |
| 35 | P0167002 | SPRING PIN 3/8" X 2" |
| 36 | P0311003 | CHAIN FOR DRIVE(80-2RX12+CL) |
| 37 | P0338122 | SPROCKET-H80B12 X 1-1/2 |
| 38 | P0381003 | CV SHAFT-14E W/1-1/2"IMP.END |
| 39 | P0381028 | PTO SHAFT-1-1/2" BOTH ENDS-105"-35 |
| 40 | P0391002 | KEY 3/8" X 2" LONG |
| 41 | P1210022 | RECESSED HEAD BUTTON PLUG 1-1/2" |
| 42 | P1210033 | 501 SHAFT GUARD PLUG |
| 43 | 15030015 | HITCH |



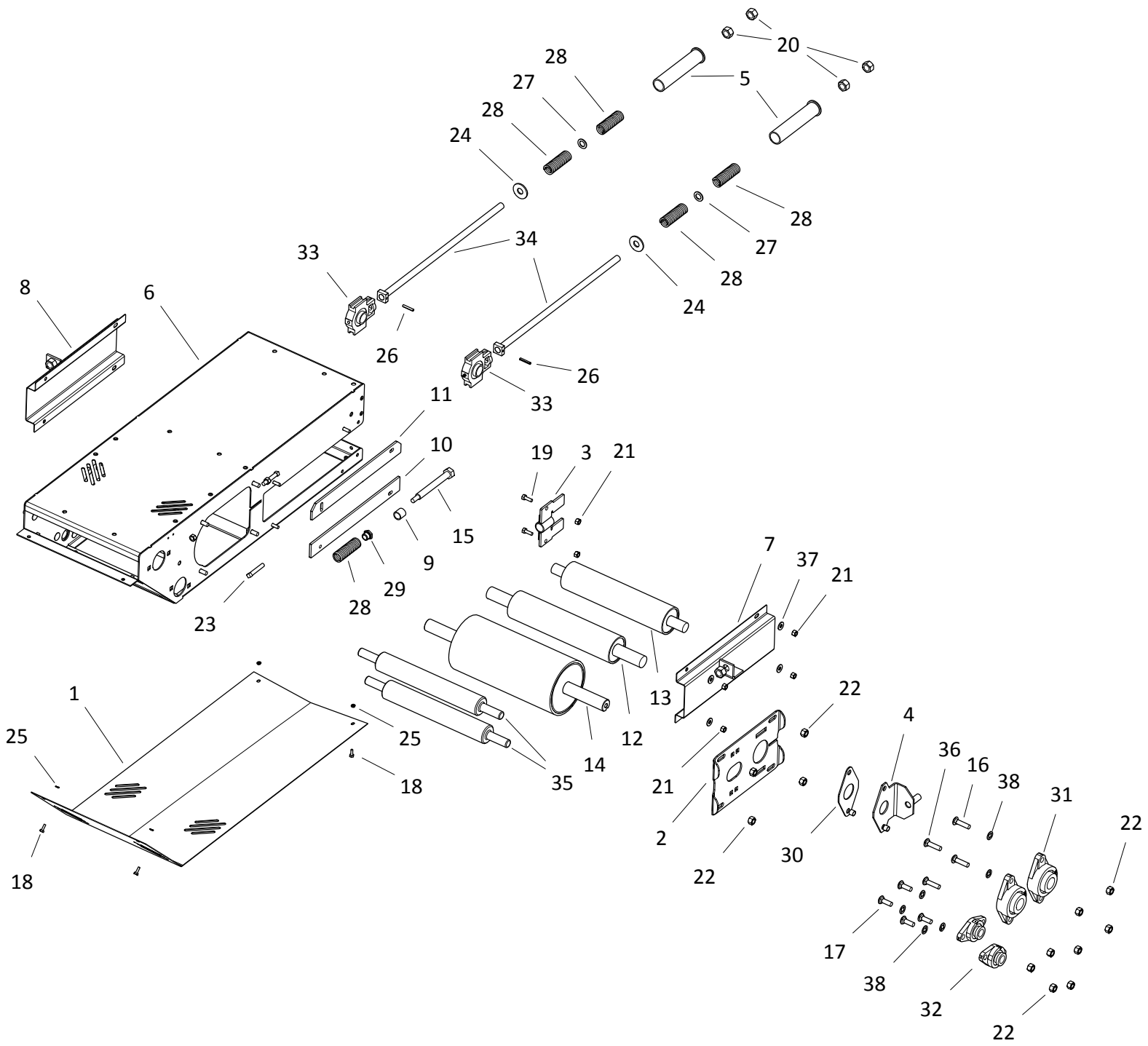
1590 SD-15509011

| ITEM | PART NO. | DESCRIPTION |
|------|-----------|-------------------------------------|
| 1 | P1211501 | HOOD-ROUND 15 SERIES (KANBAN) |
| 2 | 15000304P | HOPPER -COLLAPSABLE STD |
| 3 | 15590020 | S-DRIVE ASM W/PINCH |
| 4 | 13030016 | Tongue |
| 5 | 13030017 | CLEVIS |
| 6 | 15020040 | BT HOPPER SECTION 10' WITH SD BKTS |
| 7 | 15020094 | SPOUT SECTION 15' W/CABLE RTRN BKT |
| 8 | 15020051 | BOTTOM TUBE WITH ANCHORS |
| 9 | 15020052 | SUSPENSION BRACKET TUBE |
| 10 | 15020053 | UPPER CENTER 20' TUBE |
| 12 | 15031038 | 85 TRANSPORT BRACE |
| 13 | 15031039 | 85 LIFT ARM RIGHT |
| 14 | 15031040 | 85 LIFT ARM LEFT |
| 15 | 15031041 | 85 AXLE ARM |
| 16 | 15031043 | 85 UPPER LIFT ARM BRACE |
| 17 | 15031044 | LOWER LIFT ARM BRACE 85 |
| 18 | 15031045 | LADDER 85 |
| 19 | 15032030 | CROSS BRACE |
| 20 | 15040040 | PINCH DRIVE FRONT GUARD |
| 21 | 15042040 | SD-HOPPER BELT GUARD |
| 22 | 15042093 | SPOUT BOTTOM COVER |
| 23 | 15042094 | HOPPER GUARD BRACKET |
| 24 | 15042101 | WEATHER GUARD 5' - 61-1/2" |
| 25 | 15042102 | WEATHER GUARD 5' FLR - 61-1/2" |
| 26 | 15042121 | WEATHER GUARD 10' - 121-1/2" |
| 27 | 15070009 | HOPPER/SPOUT ROLLER LAGGED |
| 28 | 20030109 | AXLE EXTENDABLE 85 |
| 29 | 20030500 | AXLE EXTENSION (WITH 6 LUGS) |
| 30 | 150100911 | WEATHER GUARD MOUNT BAR KIT-POLY |
| 31 | P0113004 | CARRIAGE BOLT 1/2"X1-1/2"PLATED |
| 32 | P0113013 | CARRIAGE BOLT 7/16"X1" PLATED |
| 33 | P0113020 | CARRIAGE BOLT 5/16"X1-1/2"PLATED |
| 34 | P0118004 | BOLT 1" X 3" GR8 PLATED |
| 35 | P0118007 | BOLT 1" X 4-1/2" GR8 PLATED |
| 36 | P0118033 | BOLT 1/4" X 3/4" GR8 PLATED |
| 37 | P0115303 | CAPSCREW 3/8X1-1/4FLT HD SOCKET PTD |
| 38 | P0118076 | BOLT 7/16"X1" GRADE 8 PLATED |
| 39 | P0118077 | BOLT 7/16"X1-1/2" GRADE 8 PLATED |
| 40 | P0131017 | NUT 5/16" PLATED GRADE 8 |
| 41 | P0134026 | LOCKNUT-NYLON-3/8" GRADE 8 |
| 42 | P0134007 | LOCKNUT-NYLON-7/16" |
| 43 | P0134008 | LOCKNUT-NYLON-1/2" |
| 44 | P0134029 | LOCKNUT-NYLON-3/4" GRADE 8 |
| 45 | P0134030 | LOCKNUT-NYLON-1" GRADE 8 |
| 46 | P0141002 | TEK SCREW 1/4"X1" |
| 47 | P0145002 | SET SCREW-7/16"X2-1/2"SQ.HD. |



1590 SD-15509011

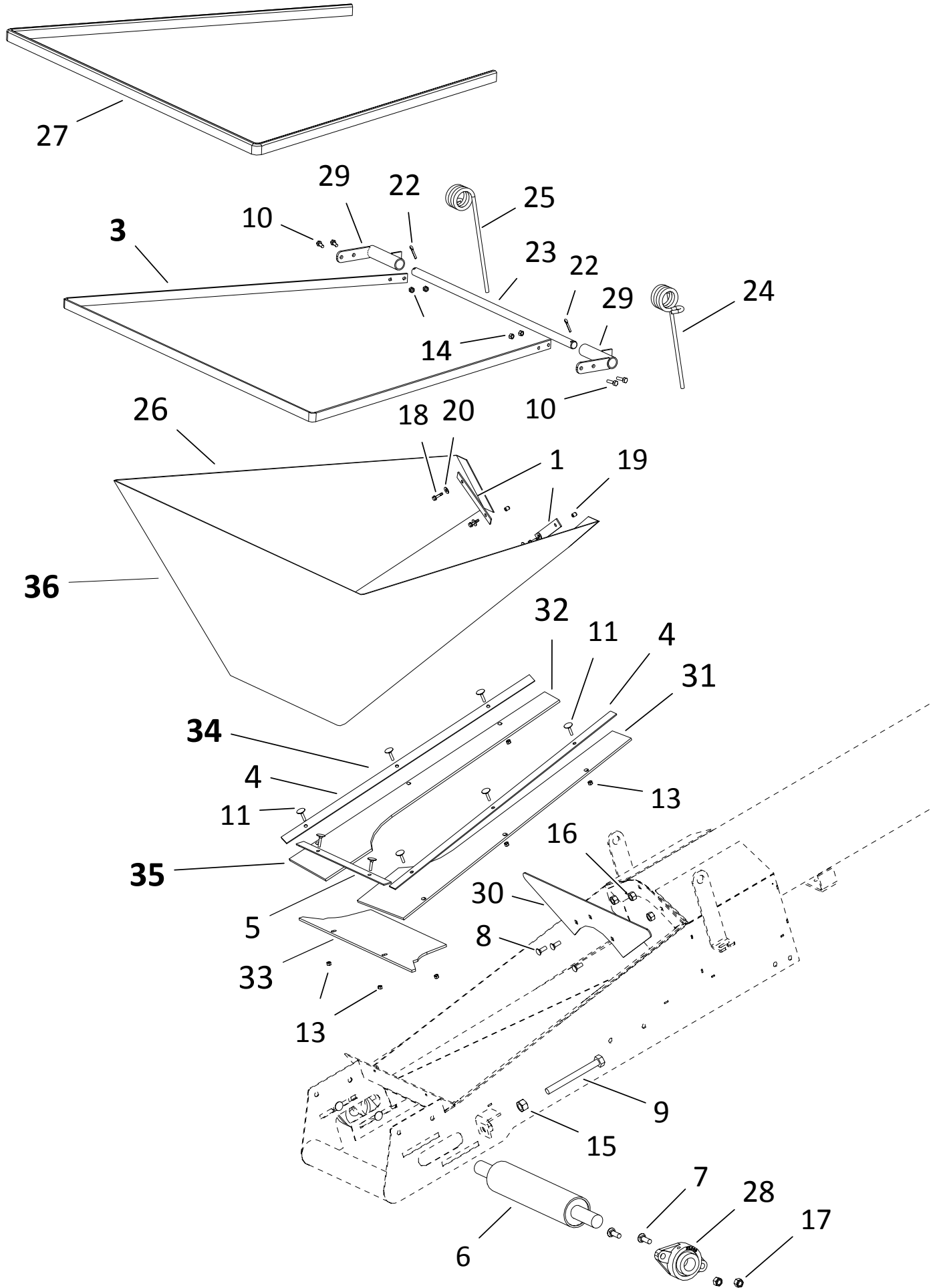
| ITEM | PART NO. | DESCRIPTION |
|------|----------|------------------------------------|
| 48 | P0151006 | FLAT WASHER 1/4"PLATED USS |
| 49 | P0151031 | FLAT WASHER 1"PLATED USS |
| 50 | P0152004 | LOCK WASHER 1/4"PLATED |
| 51 | P0152010 | LOCK WASHER 5/16"PLATED |
| 52 | P0162001 | HITCH PIN 1/2" X 3" PLATED |
| 55 | P0183004 | U-BOLT 3" X 3" -PLATED |
| 56 | P0183005 | U-BOLT 5"X2" (3/4") PTD |
| 57 | P0615308 | TIRE ASM -6BLT ST205/75R15 LRC 6PL |
| 58 | P0712109 | CABLE CLAMP-3/8" |
| 59 | P0814036 | HYD CYL 4 X 36 |
| 60 | P1010001 | UNI-MOUNT PLATE CAST |
| 61 | P1012009 | JACK-7000LB SQ.TUBE 25" EXT |
| 62 | P1021006 | ROLLER HEX 15-7/8" |
| 63 | P1210030 | BELT GUIDE BLOCK |
| 64 | P1711001 | FLANGE UNIT-1-1/2"-SAFL208-24 |
| 65 | P2515002 | FRAME BUSHING |
| 66 | 15030015 | HITCH |
| 67 | 15010103 | HIGH CABLE BRIDGE |
| 68 | 15570851 | 1585 175' |
| 69 | P0183021 | 3/8" EYE BOLT ASM |
| 70 | P0711112 | CABLE-3/8" (136') |
| 71 | P0711115 | CABLE-3/8" (68') |
| 72 | P1243001 | CABLE TIE 14" 120 LB |
| 73 | P2227989 | MANUAL HOLDER AND LID |
| 74 | 15570901 | 1590 185' |



S-DRIVE (15590020)

| ITEM | PART NO. | DESCRIPTION |
|------|-----------|-------------------------------------|
| 1 | 15040001 | PINCH SD BOTTOM GUARD |
| 2 | 15060061 | SD COVER PLATE 6-1/2"ROLLER |
| 3 | 15060027 | S-DRIVE TENSION INDICATOR |
| 4 | 15060082 | PINCH TIGHTENER PLATE |
| 5 | 15060504 | PRETENSIONER 1550 |
| 6 | 15061045 | S-DRIVE PINCH |
| 7 | 15061046 | SIDE GUARD LH |
| 8 | 15061047 | SIDE GUARD RH |
| 9 | 15062010 | PINCH PIPE |
| 10 | 15062179 | S-DRIVE SLIDER BOLT PLATE - BOTTOM |
| 11 | 15062180 | S-DRIVE SLIDER BOLT PLATE - TOP |
| 12 | 15070019 | 3-1/2"TAKE-UP (PINCH) |
| 13 | 15070020 | 3-1/2"TAKE-UP 19.5"SHAFT |
| 14 | 15070030 | DRIVE ROLLER-6-1/2" W/EXT SHAFT |
| 15 | P0113000 | SPRING TENSION BOLT |
| 16 | P0113001 | CARRIAGE BOLT 1/2"X2" PLATED |
| 17 | P0113004 | CARRIAGE BOLT 1/2"X1-1/2"PLATED |
| 18 | P0118033 | BOLT 1/4" X 3/4" GR8 PLATED |
| 19 | P0118046 | BOLT 3/8" X 1" GR8 PLATED |
| 20 | P0131019 | NUT 3/4" PLATED GRADE 8 |
| 21 | P0134026 | LOCKNUT-NYLON-3/8" GRADE 8 |
| 22 | P0134008 | LOCKNUT-NYLON-1/2" |
| 23 | P0145004 | SET SCREW-7/16"X1-1/2"SQ.HD.PLATED |
| 24 | P0151015 | FLAT WASHER 3/4"PLATED USS |
| 25 | P0152004 | LOCK WASHER 1/4"PLATED |
| 26 | P0167001 | SPRING PIN 1/4" X 1-1/2" |
| 27 | P0351015 | MACHINERY BUSH 3/4"X1-1/4"-14G PTD. |
| 28 | P0511008 | SPRING-LD-1300 SERIES |
| 29 | P0820129 | BUSHING BRASS FLANGED |
| 30 | P1210102 | BELT TIGHTENER SLIDER PLATE FL208 |
| 31 | P1711001 | FLANGE UNIT-1-1/2"-SAFL208-24 |
| 32 | P1711004 | FLANGE UNIT-1"-SAFL205-16 |
| 33 | P1721001 | TAKE-UP UNIT-1-1/4"-T206-20 |
| 34 | P2515006 | 15 S-DRIVE TIGHTENER BOLT |
| 35 | P20315001 | S-DRIVE RETURN-1" ROLLER |
| 36 | P0113003 | CARRIAGE BOLT 1/2"X2-1/2"PLATED |
| 37 | P0151009 | FLAT WASHER 3/8"PLATED USS |
| 38 | P0151037 | FLAT WASHER 0.531 SQUARE-1.00-0.060 |

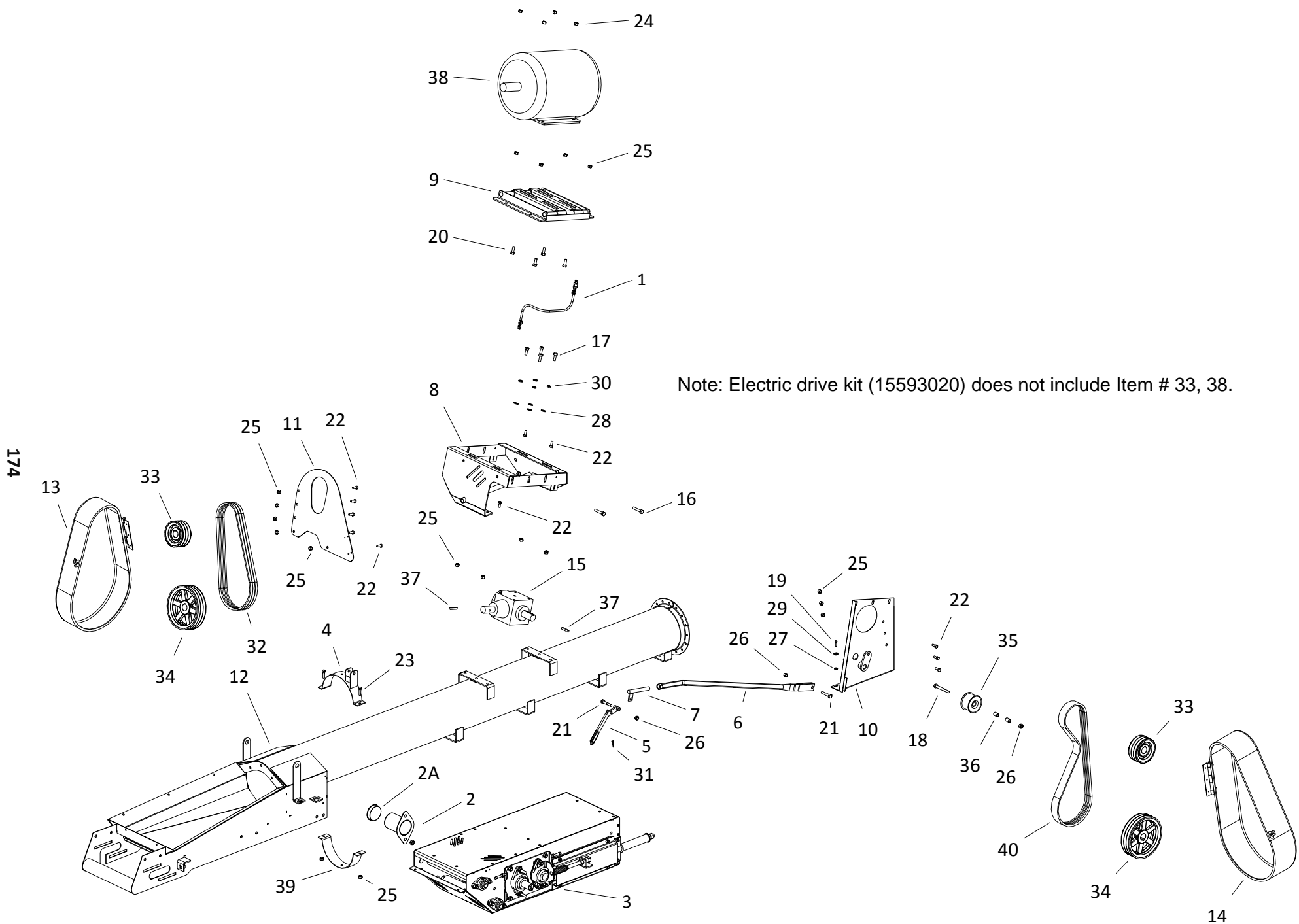
HOPPER (15000304P)



HOPPER (15000304P)

| ITEM | PART NO. | DESCRIPTION |
|------|-----------|---------------------------------|
| 1 | 13052001 | LOWER CLOTH FRAME STD BACK |
| 3 | 15052004 | UPPER CLOTH FRAME STD |
| 4 | 15052101 | LOWER CLOTH FRAME STD SIDE |
| 5 | 15052102 | LOWER CLOTH FRAME STD FRONT |
| 6 | 15070009 | HOPPER/SPOUT ROLLER LAGGED |
| 7 | P0113004 | CARRIAGE BOLT 1/2"X1-1/2"PLATED |
| 8 | P0113015 | CARRIAGE BOLT 3/8"X1" PLATED |
| 9 | P0114007 | TAP BOLT 3/4 X 7 PLATED |
| 10 | P0118061 | BOLT 5/16" X 1" GR8 PLATED |
| 11 | P0116001 | ELEVATOR BOLT 1/4"X1-1/4" |
| 13 | P0131016 | NUT 1/4" PLATED GRADE 8 |
| 14 | P0131017 | NUT 5/16" PLATED GRADE 8 |
| 15 | P0131019 | NUT 3/4" PLATED GRADE 8 |
| 16 | P0134026 | LOCKNUT-NYLON-3/8" GRADE 8 |
| 17 | P0134008 | LOCKNUT-NYLON-1/2" |
| 18 | P0141002 | TEK SCREW 1/4"X1" |
| 19 | P0145001 | VINYL SCREW CAP |
| 20 | P0151006 | FLAT WASHER 1/4"PLATED USS |
| 22 | P0161003 | COTTER PIN 3/16"X1-1/2"PLATED |
| 23 | P0162007 | HOPPER PIVOT SHAFT-13/15 |
| 24 | P0521001 | HOPPER SPRING-L |
| 25 | P0521002 | HOPPER SPRING-R |
| 26 | P1621007 | HOPPER CANVAS-15 CONV. |
| 27 | P1641015 | TRIM LOCK |
| 28 | P1711001 | FLANGE UNIT-1-1/2"-SAFL208-24 |
| 29 | P2515017 | PIVOT SHAFT BRACKET |
| 30 | P11150047 | HOPPER SHIELD |
| 31 | P19159000 | HOPPER LEFT FLASHING STD |
| 32 | P19159001 | HOPPER RIGHT FLASHING STD |
| 33 | P19159002 | HOPPER FRONT FLASHING STD |
| 34 | 15000314 | HOPPER -LINER KIT STD |
| 35 | 15000306P | HOPPER -FLASHING ONLY STD |
| 36 | 15000304P | HOPPER -COLLAPSABLE STD |

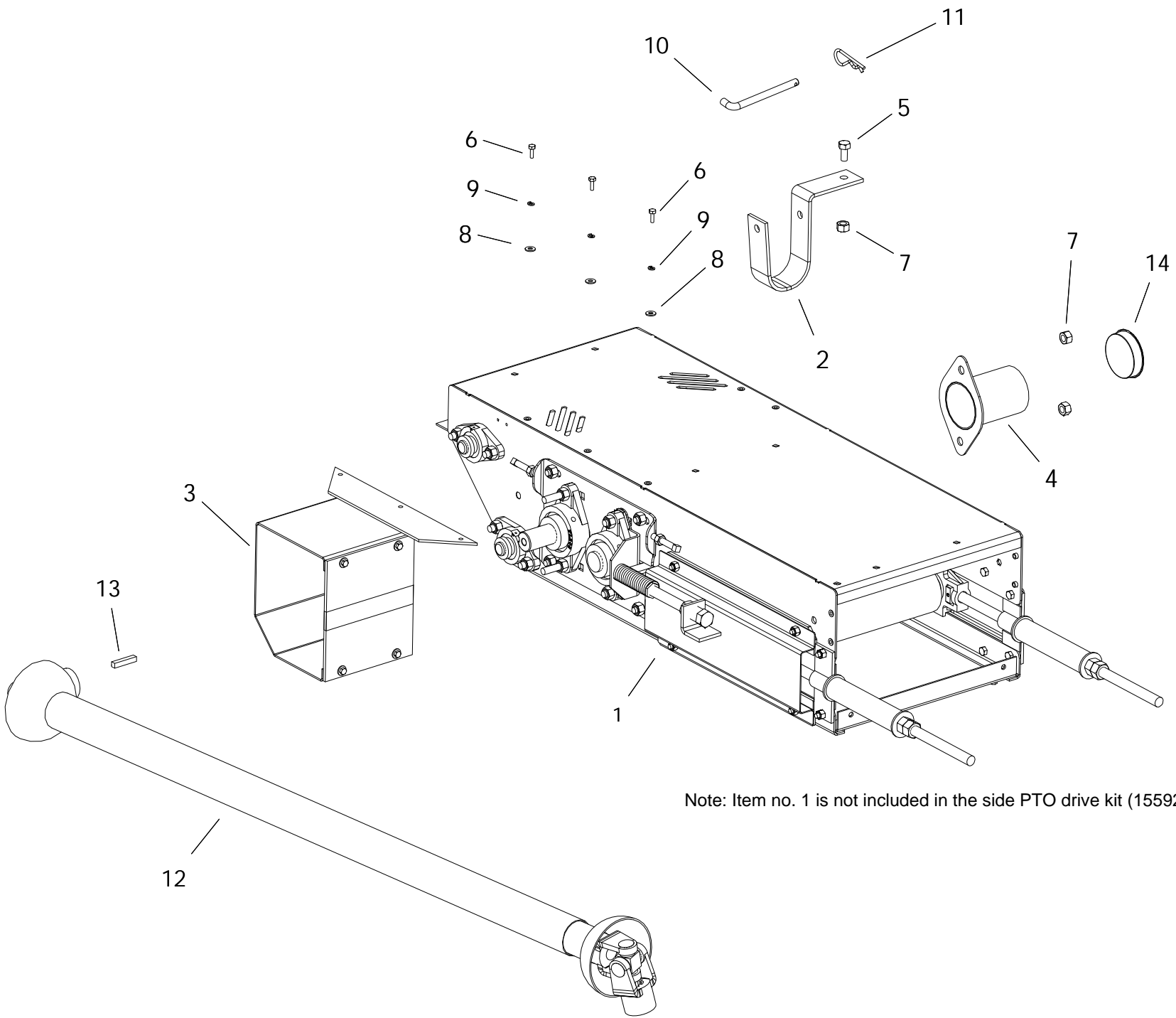
1590 ELECTRIC DRIVE KIT (15593020)



1590 ELECTRIC DRIVE KIT (15593020)

| ITEM | PART NO. | DESCRIPTION |
|------|-----------|------------------------------------|
| 1 | 01010003 | BREATHER DIRECT DRIVE |
| 2 | 24041038 | SHAFT GUARD(FL-210) |
| 2A | P1210033 | 501 SHAFT GUARD PLUG |
| 3 | 15590020 | S-DRIVE ASM W/PINCH |
| 4 | 13010048 | MOTOR MT OVERCENTER ANCHOR BKT |
| 5 | 13010054 | MOTOR MT OVERCENTER HANDLE |
| 6 | 13060068 | MOTOR MT OVERCENTER PUSHROD |
| 7 | 13060074 | OVERCENTER ADJUSTER |
| 8 | 13060102 | MOTOR MOUNT |
| 9 | 13060103 | SLIDER MOUNT |
| 10 | 13060105 | MOTOR MOUNT BACK PLATE |
| 11 | 13060107 | ENGINE GUARD BACK |
| 12 | 15020040 | BT HOPPER SECTION 10' WITH SD BKTS |
| 13 | 15040055 | PINCH GUARD SMALL ASSEMBLED |
| 14 | 15040056 | PINCH GUARD MED ASSEMBLED |
| 15 | 15591001 | GBOX 90 2:1 CW/CW 1-1/2 4190 W/OIL |
| 16 | P0114005 | TAP BOLT 1/2 X 2-1/2 GR.8 PLATED |
| 17 | P0118020 | BOLT 1/2" X 1-1/4" GR8 PLATED |
| 18 | P0118130 | BOLT 1/2" X 4" GR8 PLATED |
| 19 | P0118131 | BOLT 1/4" X 1" GR8 PLATED |
| 20 | P0118061 | BOLT 5/16" X 1" GR8 PLATED |
| 21 | P0118016 | BOLT 1/2" X 2" GR8 PLATED |
| 22 | P0118076 | BOLT 7/16"X1" GRADE 8 PLATED |
| 23 | P0118077 | BOLT 7/16"X1-1/2" GRADE 8 PLATED |
| 24 | P0134027 | LOCKNUT-NYLON-5/16" GRADE 8 |
| 25 | P0134007 | LOCKNUT-NYLON-7/16" |
| 26 | P0134008 | LOCKNUT-NYLON-1/2" |
| 27 | P0151006 | FLAT WASHER 1/4"PLATED USS |
| 28 | P0151029 | FLAT WASHER 1/2"PLATED USS |
| 29 | P0152004 | LOCK WASHER 1/4"PLATED |
| 30 | P0152008 | LOCK WASHER 1/2"PLATED |
| 31 | P0161003 | COTTER PIN 3/16"X1-1/2"PLATED |
| 32 | P0321052 | BELT B52 |
| 33 | P0328050 | PULLEY-TRPL-6" W/1-1/2"BORE |
| 34 | P0328079 | PULLEY-TRPL-10" W/1-1/2"BORE |
| 35 | P0328910 | IDLER-FLAT-4"TRPL 2-7/16"WIDE |
| 36 | P0351019 | DNR-BUSHING 3/4"ODX1/2"IDX1"BRONZE |
| 37 | P0391002 | KEY 3/8" X 2" LONG |
| 38 | P0931005 | MOTOR 10HP 3PH 230/460V 1740RPM |
| 39 | P2219801P | U-CLAMP HANGER-10"X2-1/2"-BLACK |
| 40 | P03210652 | BELT 3B65 BANDED |

SIDE P.T.O. DRIVE KIT 15 SERIES (15592200)

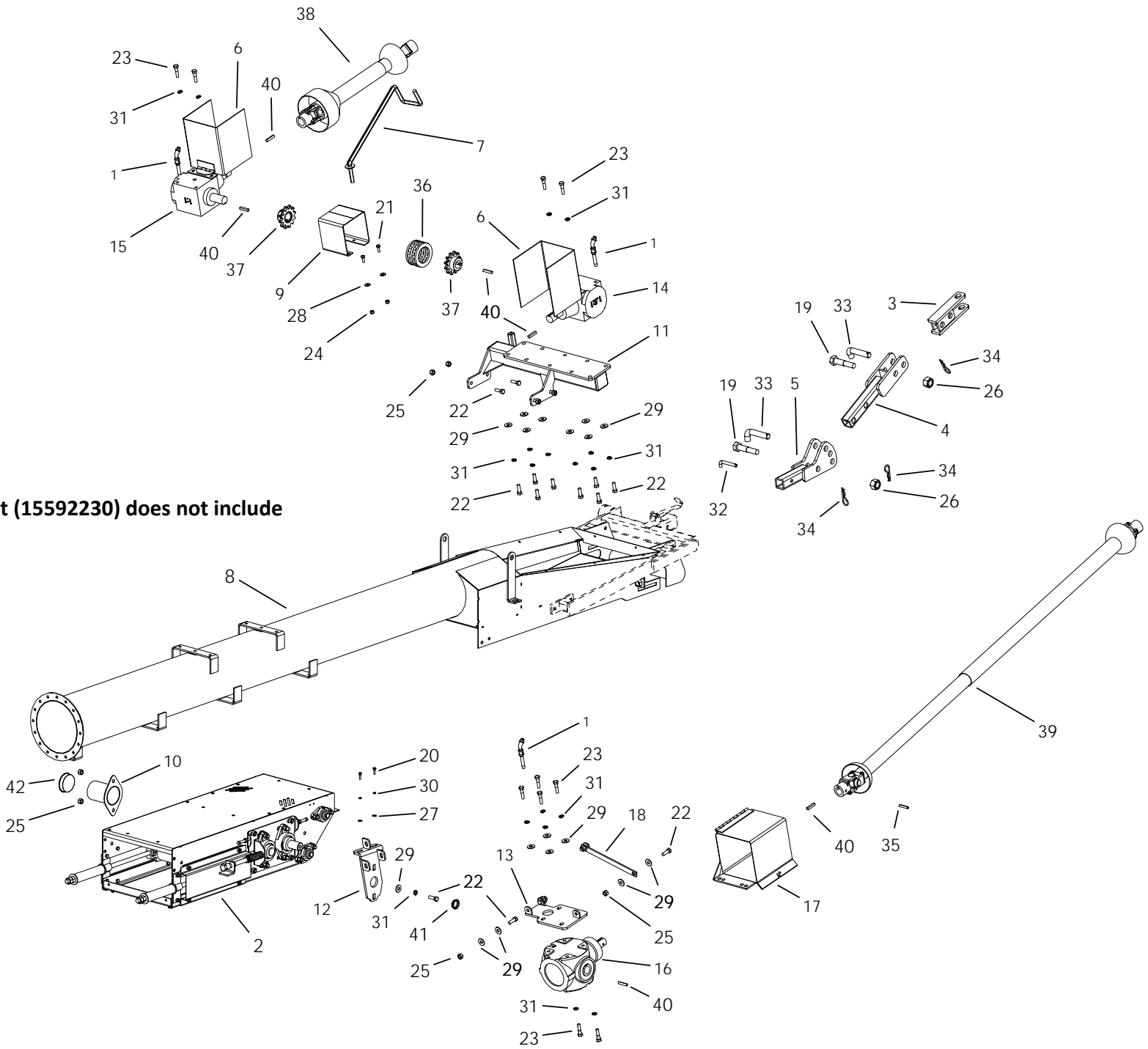


Note: Item no. 1 is not included in the side PTO drive kit (15592200)

SIDE P.T.O. DRIVE KIT 15 SERIES (15592200)

| ITEM | PART NO. | DESCRIPTION |
|------|----------|-----------------------------|
| 1 | 15590020 | S-DRIVE ASM W/PINCH |
| 2 | 13042018 | PTO CRADLE |
| 3 | 15040002 | PTO GUARD |
| 4 | 15041038 | SHAFT GUARD(FL-208) |
| 5 | P0118012 | BOLT 1/2" X 1" GR8 PLATED |
| 6 | P0118033 | BOLT 1/4" X 3/4" GR8 PLATED |
| 7 | P0134008 | LOCKNUT-NYLON-1/2" |
| 8 | P0151006 | FLAT WASHER 1/4"PLATED USS |
| 9 | P0152004 | LOCK WASHER 1/4"PLATED |
| 10 | P0162004 | HITCH PIN 1/2" X 5" PLATED |
| 11 | P0163001 | HAIR PIN 3/16" X 3-1/4" |
| 12 | P0381014 | PTO SHAFT 1-1/2"X75" |
| 13 | P0391002 | KEY 3/8" X 2" LONG |
| 14 | P1210033 | 501 SHAFT GUARD PLUG |

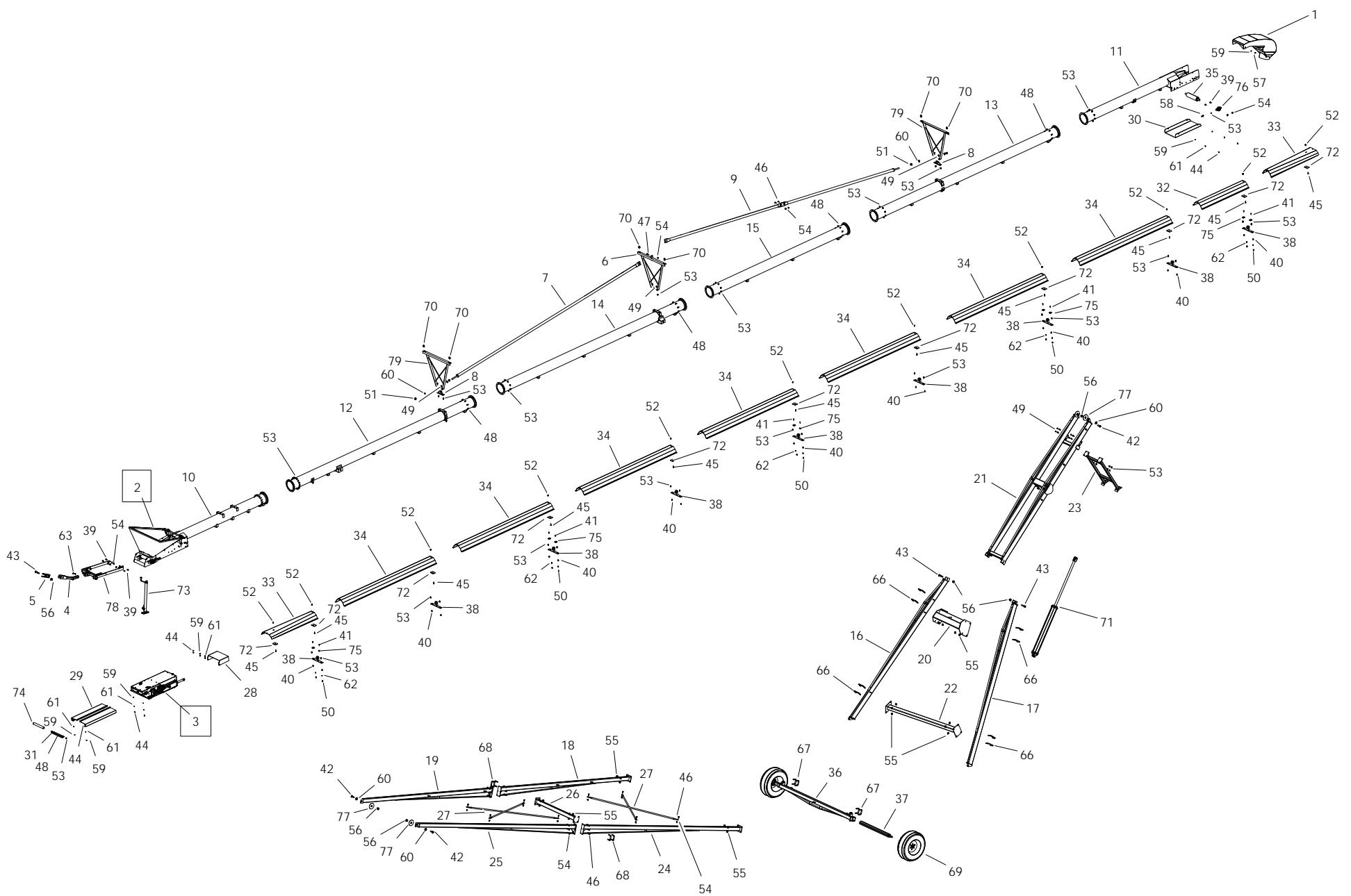
FRONT DRIVE PTO KIT 15 SERIES (15592230)



Note: Front PTO Kit (15592230) does not include item # 2, 8

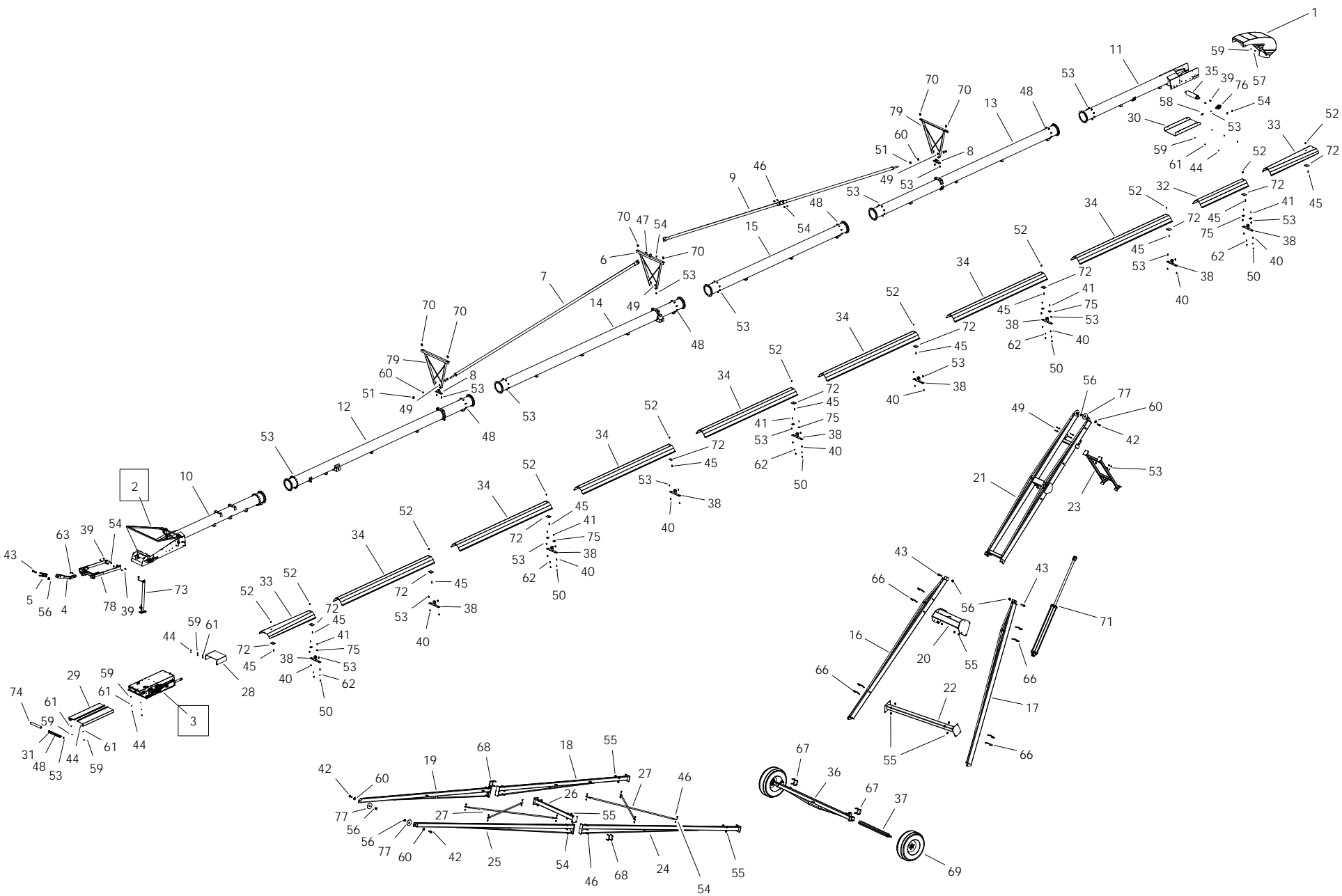
FRONT DRIVE PTO KIT 15 SERIES (15592230)

| ITEM | PART NO. | DESCRIPTION |
|------|----------|-------------------------------------|
| 1 | 01010002 | BREATHER -SWING AWAY |
| 2 | 15590020 | S-DRIVE ASM W/PINCH |
| 3 | 13030017 | CLEVIS |
| 4 | 13030064 | 13/15 ADJUSTABLE CLEVIS |
| 5 | 13030065 | 15 SWING ADJUSTABLE TONGUE |
| 6 | 13040011 | PTO GUARD SWING |
| 7 | 13090019 | SWING PTO CRADLE |
| 8 | 15020040 | BT HOPPER SECTION 10' WITH SD BKTS |
| 9 | 15040009 | COUPLING GUARD |
| 10 | 15041038 | SHAFT GUARD(FL-208) |
| 11 | 15090067 | GEARBOX MOUNT PLATFORM |
| 12 | 15090071 | SWING GEARBOX SIDE MT (SD) |
| 13 | 15090072 | SWING GEARBOX SIDE MT (GBOX) |
| 14 | 15591000 | GBOX 90 1:1 CW/CW 1-1/2 4190 W/OIL |
| 15 | 15591002 | GBOX 90 1:1 CW/CCW 1-1/2 4190 W/OIL |
| 16 | 15591003 | GBOX 90 1.5:1SFTMT 1-1/2 5190 W/OIL |
| 17 | 20040008 | GUARD 6190GB FLIP-UP |
| 18 | 20092097 | SWING 6190 GBOX SIDE MT (LINK ARM) |
| 19 | 0118007 | BOLT 1" X 4-1/2" GR8 PLATED |
| 20 | P0118131 | BOLT 1/4" X 1" GR8 PLATED |
| 21 | P0118046 | BOLT 3/8" X 1" GR8 PLATED |
| 22 | P0118013 | BOLT 1/2"X1 1/2" GR.8 PLATED |
| 23 | P0118016 | BOLT 1/2" X 2" GR8 PLATED |
| 24 | P0134026 | LOCKNUT-NYLON-3/8" GRADE 8 |
| 25 | P0134008 | LOCKNUT-NYLON-1/2" |
| 26 | P0134030 | LOCKNUT-NYLON-1" GRADE 8 |
| 27 | P0151006 | FLAT WASHER 1/4"PLATED USS |
| 28 | P0151009 | FLAT WASHER 3/8"PLATED USS |
| 29 | P0151029 | FLAT WASHER 1/2"PLATED USS |
| 30 | P0152004 | LOCK WASHER 1/4"PLATED |
| 31 | P0152008 | LOCK WASHER 1/2"PLATED |
| 32 | P0162001 | HITCH PIN 1/2" X 3" PLATED |
| 33 | P0162003 | HITCH PIN 1" X 3-1/2" PLATED |
| 34 | P0163001 | HAIR PIN 3/16" X 3-1/4" |
| 35 | P0167002 | SPRING PIN 3/8" X 2" |
| 36 | P0311003 | CHAIN FOR DRIVE(80-2RX12+CL) |
| 37 | P0338122 | SPROCKET-H80B12 X 1-1/2 |
| 38 | P0381003 | CV SHAFT-14E W/1-1/2"IMP.END |
| 39 | P0381028 | PTO SHAFT-1-1/2" BOTH ENDS-105"-35 |
| 40 | P0391002 | KEY 3/8" X 2" LONG |
| 41 | P1210022 | RECESSED HEAD BUTTON PLUG 1-1/2" |
| 42 | P1210033 | 501 SHAFT GUARD PLUG |
| 43 | 15030015 | HITCH |



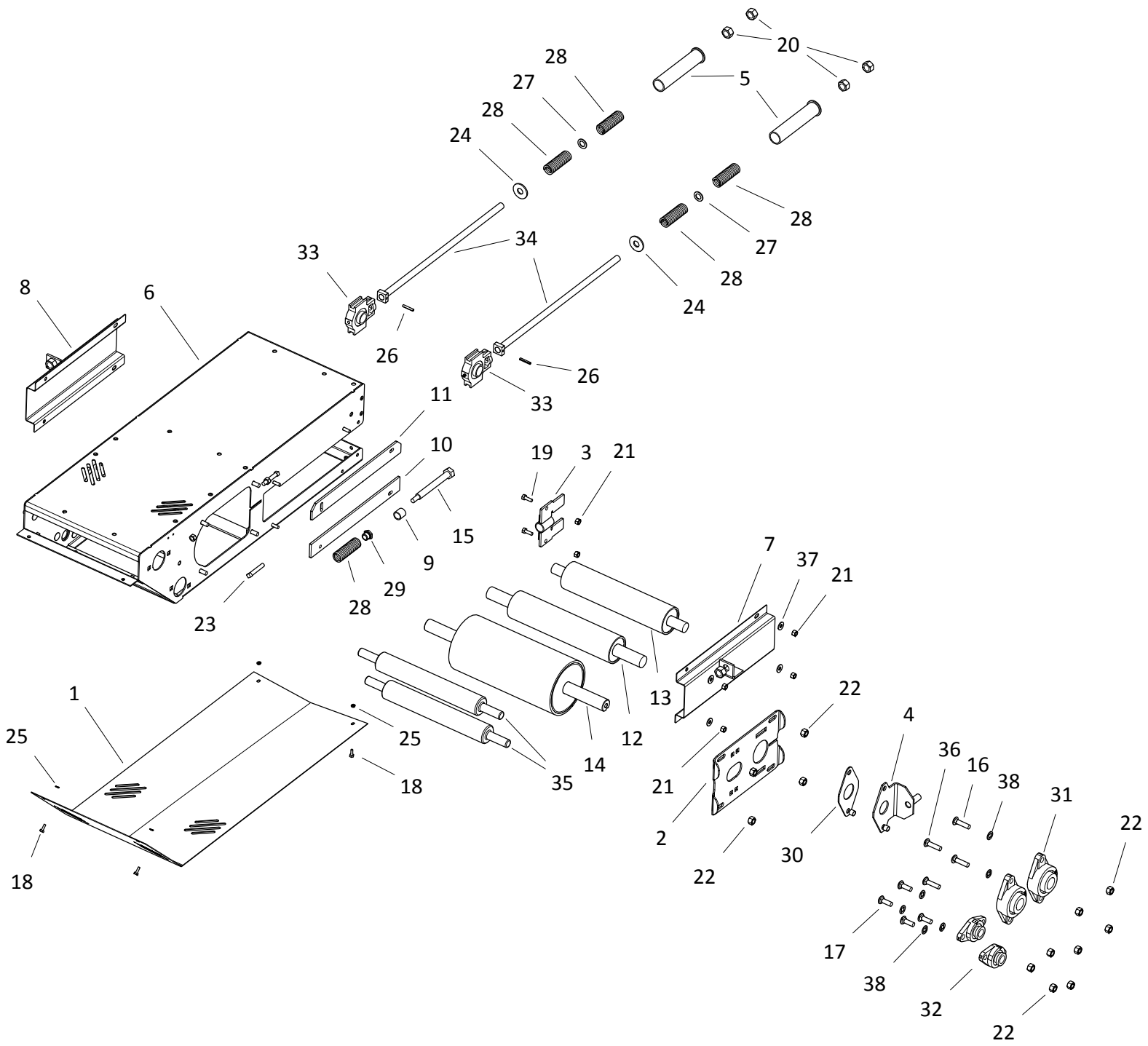
15100 SD-15510011

| ITEM | PART NO. | DESCRIPTION |
|------|-----------|-------------------------------------|
| 1 | P1211501 | HOOD-ROUND 15 SERIES (KANBAN) |
| 2 | 15000304P | HOPPER -COLLAPSABLE STD |
| 3 | 15590020 | S-DRIVE ASM W/PINCH |
| 4 | 13030016 | Tongue |
| 5 | 13030017 | CLEVIS |
| 6 | 15010104 | HIGH CABLE BRIDGE PLUS ANCHOR |
| 7 | 15010105 | UPPER TRUSS TUBE -246" |
| 8 | 15010106 | TRUSS ROD ANCHOR |
| 9 | 15010107 | UPPER TRUSS TUBE -300" |
| 10 | 15020040 | BT HOPPER SECTION 10' WITH SD BKTS |
| 11 | 15020045 | SPOUT SECTION 10' W/CABLE RTRN BKT |
| 12 | 15020051 | BOTTOM TUBE WITH ANCHORS |
| 13 | 15020053 | UPPER CENTER 20' TUBE |
| 14 | 15020055 | SUSPENSION BRACKET TUBE 100 |
| 15 | 15020056 | CENTER SECTION 15'-100 |
| 16 | 15030080 | LIFT ARM 100 RIGHT |
| 17 | 15030081 | LIFT ARM 100 LEFT |
| 18 | 15030082 | LOWER AXLE ARM 100 RIGHT |
| 19 | 15030083 | UPPER AXLE ARM 100 RIGHT |
| 20 | 15030084 | UPPER LIFT ARM BRACE 100 |
| 21 | 15030085 | LADDER 100 |
| 22 | 15030086 | LOWER LIFT ARM BRACE 100 |
| 23 | 15030087 | TRANSPORT BRACE 100 |
| 24 | 15030088 | LOWER AXLE ARM 100 LEFT |
| 25 | 15030089 | UPPER AXLE ARM 100 LEFT |
| 26 | 15031046 | AXLE ARM CROSS BRACE 15100 |
| 27 | 15032030 | CROSS BRACE |
| 28 | 15040040 | PINCH DRIVE FRONT GUARD |
| 29 | 15042040 | SD-HOPPER BELT GUARD |
| 30 | 15042093 | SPOUT BOTTOM COVER |
| 31 | 15042094 | HOPPER GUARD BRACKET |
| 32 | 15042101 | WEATHER GUARD 5' - 61-1/2" |
| 33 | 15042102 | WEATHER GUARD 5' FLR - 61-1/2" |
| 34 | 15042121 | WEATHER GUARD 10' - 121-1/2" |
| 35 | 15070009 | HOPPER/SPOUT ROLLER LAGGED |
| 36 | 20030109 | AXLE EXTENDABLE 85 |
| 37 | 20030500 | AXLE EXTENSION (WITH 6 LUGS) |
| 38 | 150100911 | WEATHER GUARD MOUNT BAR KIT-POLY |
| 39 | P0113004 | CARRIAGE BOLT 1/2"X1-1/2"PLATED |
| 40 | P0113013 | CARRIAGE BOLT 7/16"X1" PLATED |
| 41 | P0113020 | CARRIAGE BOLT 5/16"X1-1/2"PLATED |
| 42 | P0118004 | BOLT 1" X 3" GR8 PLATED |
| 43 | 0118007 | BOLT 1" X 4-1/2" GR8 PLATED |
| 44 | P0118033 | BOLT 1/4" X 3/4" GR8 PLATED |
| 45 | P0115303 | CAPSCREW 3/8X1-1/4FLT HD SOCKET PTD |
| 46 | P0118013 | BOLT 1/2"X1 1/2" GR.8 PLATED |



15100 SD-15510011

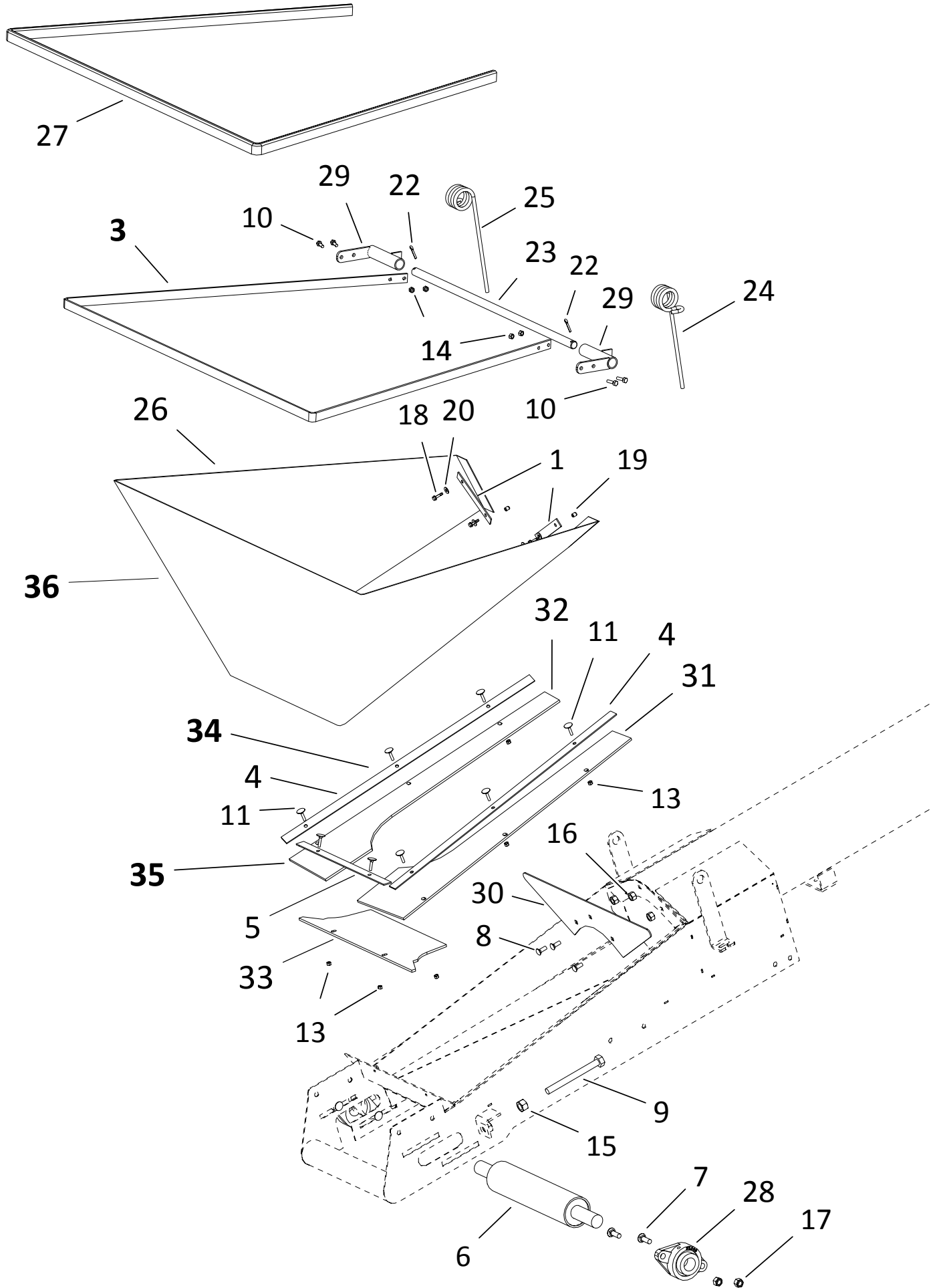
| ITEM | PART NO. | DESCRIPTION |
|------|----------|------------------------------------|
| 47 | P0118016 | BOLT 1/2" X 2" GR8 PLATED |
| 48 | P0118076 | BOLT 7/16"X1" GRADE 8 PLATED |
| 49 | P0118077 | BOLT 7/16"X1-1/2" GRADE 8 PLATED |
| 50 | P0131017 | NUT 5/16" PLATED GRADE 8 |
| 51 | P0131021 | NUT 1" PLATED GRADE 8 |
| 52 | P0134026 | LOCKNUT-NYLON-3/8" GRADE 8 |
| 53 | P0134007 | LOCKNUT-NYLON-7/16" |
| 54 | P0134008 | LOCKNUT-NYLON-1/2" |
| 55 | P0134029 | LOCKNUT-NYLON-3/4" GRADE 8 |
| 56 | P0134030 | LOCKNUT-NYLON-1" GRADE 8 |
| 57 | P0141002 | TEK SCREW 1/4"X1" |
| 58 | P0145002 | SET SCREW-7/16"X2-1/2"SQ.HD. |
| 59 | P0151006 | FLAT WASHER 1/4"PLATED USS |
| 60 | P0151031 | FLAT WASHER 1"PLATED USS |
| 61 | P0152004 | LOCK WASHER 1/4"PLATED |
| 62 | P0152010 | LOCK WASHER 5/16"PLATED |
| 63 | P0162001 | HITCH PIN 1/2" X 3" PLATED |
| 66 | P0183006 | U-BOLT 6" X 2" -PLATED |
| 67 | P0183012 | U-BOLT 3-1/2" X 3-1/2" X 3/4"PTD |
| 68 | P0183013 | U-BOLT 4"X2" (3/4") PTD |
| 69 | P0615308 | TIRE ASM -6BLT ST205/75R15 LRC 6PL |
| 70 | P0712109 | CABLE CLAMP-3/8" |
| 71 | P0814048 | HYD CYL-4X48 |
| 72 | P1010001 | UNI-MOUNT PLATE CAST |
| 73 | P1012009 | JACK-7000LB SQ.TUBE 25" EXT |
| 74 | P1021006 | ROLLER HEX 15-7/8" |
| 75 | P1210030 | BELT GUIDE BLOCK |
| 76 | P1711001 | FLANGE UNIT-1-1/2"-SAFL208-24 |
| 77 | P2515002 | FRAME BUSHING |
| 78 | 15030015 | HITCH |
| 79 | 15010103 | HIGH CABLE BRIDGE |
| 80 | 15571001 | 15100 205' |
| 81 | P0183021 | 3/8" EYE BOLT ASM |
| 82 | P0711113 | CABLE-3/8" (162') (NOT SHOWN) |
| 83 | P0711119 | CABLE-3/8" (96') (NOT SHOWN) |
| 84 | P1243001 | CABLE TIE 14" 120 LB |
| 85 | P2227989 | MANUAL HOLDER AND LID |



S-DRIVE (15590020)

| ITEM | PART NO. | DESCRIPTION |
|------|-----------|-------------------------------------|
| 1 | 15040001 | PINCH SD BOTTOM GUARD |
| 2 | 15060061 | SD COVER PLATE 6-1/2"ROLLER |
| 3 | 15060027 | S-DRIVE TENSION INDICATOR |
| 4 | 15060082 | PINCH TIGHTENER PLATE |
| 5 | 15060504 | PRETENSIONER 1550 |
| 6 | 15061045 | S-DRIVE PINCH |
| 7 | 15061046 | SIDE GUARD LH |
| 8 | 15061047 | SIDE GUARD RH |
| 9 | 15062010 | PINCH PIPE |
| 10 | 15062179 | S-DRIVE SLIDER BOLT PLATE - BOTTOM |
| 11 | 15062180 | S-DRIVE SLIDER BOLT PLATE - TOP |
| 12 | 15070019 | 3-1/2"TAKE-UP (PINCH) |
| 13 | 15070020 | 3-1/2"TAKE-UP 19.5"SHAFT |
| 14 | 15070030 | DRIVE ROLLER-6-1/2" W/EXT SHAFT |
| 15 | P0113000 | SPRING TENSION BOLT |
| 16 | P0113001 | CARRIAGE BOLT 1/2"X2" PLATED |
| 17 | P0113004 | CARRIAGE BOLT 1/2"X1-1/2"PLATED |
| 18 | P0118033 | BOLT 1/4" X 3/4" GR8 PLATED |
| 19 | P0118046 | BOLT 3/8" X 1" GR8 PLATED |
| 20 | P0131019 | NUT 3/4" PLATED GRADE 8 |
| 21 | P0134026 | LOCKNUT-NYLON-3/8" GRADE 8 |
| 22 | P0134008 | LOCKNUT-NYLON-1/2" |
| 23 | P0145004 | SET SCREW-7/16"X1-1/2"SQ.HD.PLATED |
| 24 | P0151015 | FLAT WASHER 3/4"PLATED USS |
| 25 | P0152004 | LOCK WASHER 1/4"PLATED |
| 26 | P0167001 | SPRING PIN 1/4" X 1-1/2" |
| 27 | P0351015 | MACHINERY BUSH 3/4"X1-1/4"-14G PTD. |
| 28 | P0511008 | SPRING-LD-1300 SERIES |
| 29 | P0820129 | BUSHING BRASS FLANGED |
| 30 | P1210102 | BELT TIGHTENER SLIDER PLATE FL208 |
| 31 | P1711001 | FLANGE UNIT-1-1/2"-SAFL208-24 |
| 32 | P1711004 | FLANGE UNIT-1"-SAFL205-16 |
| 33 | P1721001 | TAKE-UP UNIT-1-1/4"-T206-20 |
| 34 | P2515006 | 15 S-DRIVE TIGHTENER BOLT |
| 35 | P20315001 | S-DRIVE RETURN-1" ROLLER |
| 36 | P0113003 | CARRIAGE BOLT 1/2"X2-1/2"PLATED |
| 37 | P0151009 | FLAT WASHER 3/8"PLATED USS |
| 38 | P0151037 | FLAT WASHER 0.531 SQUARE-1.00-0.060 |

HOPPER (15000304P)



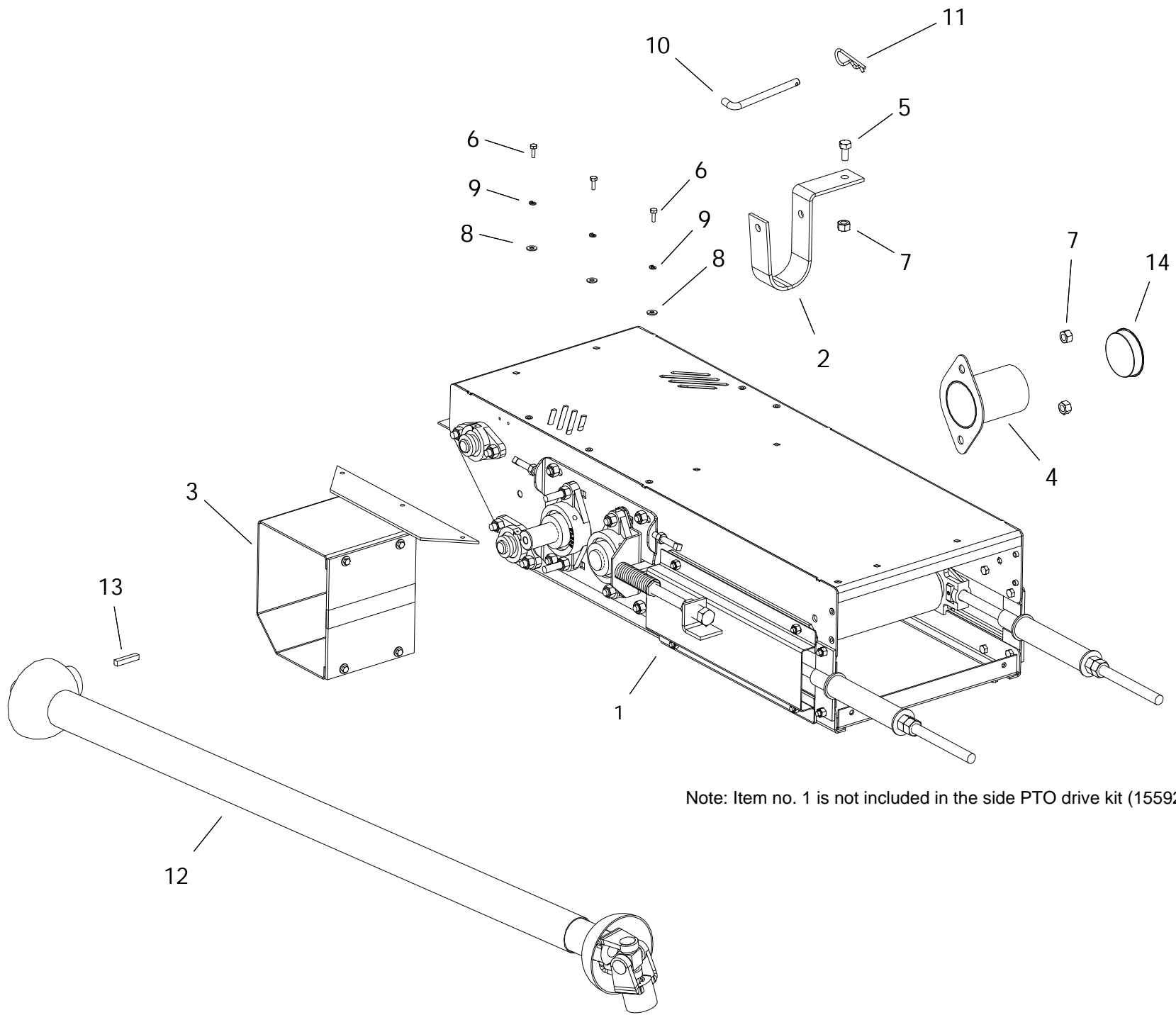
HOPPER (15000304P)

| ITEM | PART NO. | DESCRIPTION |
|------|-----------|---------------------------------|
| 1 | 13052001 | LOWER CLOTH FRAME STD BACK |
| 3 | 15052004 | UPPER CLOTH FRAME STD |
| 4 | 15052101 | LOWER CLOTH FRAME STD SIDE |
| 5 | 15052102 | LOWER CLOTH FRAME STD FRONT |
| 6 | 15070009 | HOPPER/SPOUT ROLLER LAGGED |
| 7 | P0113004 | CARRIAGE BOLT 1/2"X1-1/2"PLATED |
| 8 | P0113015 | CARRIAGE BOLT 3/8"X1" PLATED |
| 9 | P0114007 | TAP BOLT 3/4 X 7 PLATED |
| 10 | P0118061 | BOLT 5/16" X 1" GR8 PLATED |
| 11 | P0116001 | ELEVATOR BOLT 1/4"X1-1/4" |
| 13 | P0131016 | NUT 1/4" PLATED GRADE 8 |
| 14 | P0131017 | NUT 5/16" PLATED GRADE 8 |
| 15 | P0131019 | NUT 3/4" PLATED GRADE 8 |
| 16 | P0134026 | LOCKNUT-NYLON-3/8" GRADE 8 |
| 17 | P0134008 | LOCKNUT-NYLON-1/2" |
| 18 | P0141002 | TEK SCREW 1/4"X1" |
| 19 | P0145001 | VINYL SCREW CAP |
| 20 | P0151006 | FLAT WASHER 1/4"PLATED USS |
| 22 | P0161003 | COTTER PIN 3/16"X1-1/2"PLATED |
| 23 | P0162007 | HOPPER PIVOT SHAFT-13/15 |
| 24 | P0521001 | HOPPER SPRING-L |
| 25 | P0521002 | HOPPER SPRING-R |
| 26 | P1621007 | HOPPER CANVAS-15 CONV. |
| 27 | P1641015 | TRIM LOCK |
| 28 | P1711001 | FLANGE UNIT-1-1/2"-SAFL208-24 |
| 29 | P2515017 | PIVOT SHAFT BRACKET |
| 30 | P11150047 | HOPPER SHIELD |
| 31 | P19159000 | HOPPER LEFT FLASHING STD |
| 32 | P19159001 | HOPPER RIGHT FLASHING STD |
| 33 | P19159002 | HOPPER FRONT FLASHING STD |
| 34 | 15000314 | HOPPER -LINER KIT STD |
| 35 | 15000306P | HOPPER -FLASHING ONLY STD |
| 36 | 15000304P | HOPPER -COLLAPSABLE STD |

15100 ELECTRIC DRIVE KIT (15593020)

| ITEM | PART NO. | DESCRIPTION |
|------|-----------|------------------------------------|
| 1 | 01010003 | BREATHER DIRECT DRIVE |
| 2 | 24041038 | SHAFT GUARD(FL-210) |
| 2A | P1210033 | 501 SHAFT GUARD PLUG |
| 3 | 15590020 | S-DRIVE ASM W/PINCH |
| 4 | 13010048 | MOTOR MT OVERCENTER ANCHOR BKT |
| 5 | 13010054 | MOTOR MT OVERCENTER HANDLE |
| 6 | 13060068 | MOTOR MT OVERCENTER PUSHROD |
| 7 | 13060074 | OVERCENTER ADJUSTER |
| 8 | 13060102 | MOTOR MOUNT |
| 9 | 13060103 | SLIDER MOUNT |
| 10 | 13060105 | MOTOR MOUNT BACK PLATE |
| 11 | 13060107 | ENGINE GUARD BACK |
| 12 | 15020040 | BT HOPPER SECTION 10' WITH SD BKTS |
| 13 | 15040055 | PINCH GUARD SMALL ASSEMBLED |
| 14 | 15040056 | PINCH GUARD MED ASSEMBLED |
| 15 | 15591001 | GBOX 90 2:1 CW/CW 1-1/2 4190 W/OIL |
| 16 | P0114005 | TAP BOLT 1/2 X 2-1/2 GR.8 PLATED |
| 17 | P0118020 | BOLT 1/2" X 1-1/4" GR8 PLATED |
| 18 | P0118130 | BOLT 1/2" X 4" GR8 PLATED |
| 19 | P0118131 | BOLT 1/4" X 1" GR8 PLATED |
| 20 | P0118061 | BOLT 5/16" X 1" GR8 PLATED |
| 21 | P0118016 | BOLT 1/2" X 2" GR8 PLATED |
| 22 | P0118076 | BOLT 7/16"X1" GRADE 8 PLATED |
| 23 | P0118077 | BOLT 7/16"X1-1/2" GRADE 8 PLATED |
| 24 | P0134027 | LOCKNUT-NYLON-5/16" GRADE 8 |
| 25 | P0134007 | LOCKNUT-NYLON-7/16" |
| 26 | P0134008 | LOCKNUT-NYLON-1/2" |
| 27 | P0151006 | FLAT WASHER 1/4"PLATED USS |
| 28 | P0151029 | FLAT WASHER 1/2"PLATED USS |
| 29 | P0152004 | LOCK WASHER 1/4"PLATED |
| 30 | P0152008 | LOCK WASHER 1/2"PLATED |
| 31 | P0161003 | COTTER PIN 3/16"X1-1/2"PLATED |
| 32 | P0321052 | BELT B52 |
| 33 | P0328050 | PULLEY-TRPL-6" W/1-1/2"BORE |
| 34 | P0328079 | PULLEY-TRPL-10" W/1-1/2"BORE |
| 35 | P0328910 | IDLER-FLAT-4"TRPL 2-7/16"WIDE |
| 36 | P0351019 | DNR-BUSHING 3/4"ODX1/2"IDX1"BRONZE |
| 37 | P0391002 | KEY 3/8" X 2" LONG |
| 38 | P0931005 | MOTOR 10HP 3PH 230/460V 1740RPM |
| 39 | P2219801P | U-CLAMP HANGER-10"X2-1/2"-BLACK |
| 40 | P03210652 | BELT 3B65 BANDED |

SIDE P.T.O. DRIVE KIT 15 SERIES (15592200)

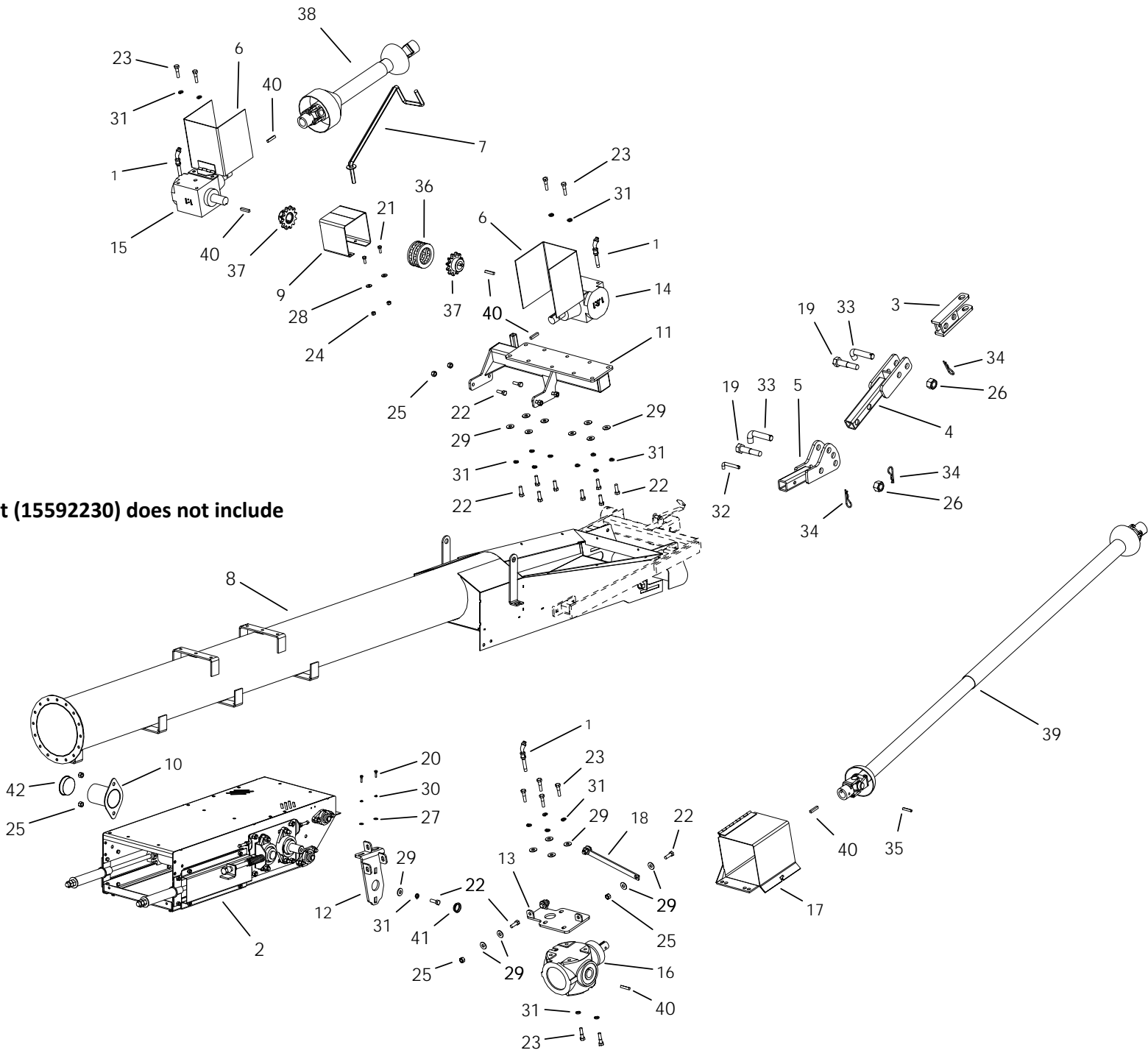


Note: Item no. 1 is not included in the side PTO drive kit (15592200)

SIDE P.T.O. DRIVE KIT 15 SERIES (15592200)

| ITEM | PART NO. | DESCRIPTION |
|------|----------|-----------------------------|
| 1 | 15590020 | S-DRIVE ASM W/PINCH |
| 2 | 13042018 | PTO CRADLE |
| 3 | 15040002 | PTO GUARD |
| 4 | 15041038 | SHAFT GUARD(FL-208) |
| 5 | P0118012 | BOLT 1/2" X 1" GR8 PLATED |
| 6 | P0118033 | BOLT 1/4" X 3/4" GR8 PLATED |
| 7 | P0134008 | LOCKNUT-NYLON-1/2" |
| 8 | P0151006 | FLAT WASHER 1/4"PLATED USS |
| 9 | P0152004 | LOCK WASHER 1/4"PLATED |
| 10 | P0162004 | HITCH PIN 1/2" X 5" PLATED |
| 11 | P0163001 | HAIR PIN 3/16" X 3-1/4" |
| 12 | P0381014 | PTO SHAFT 1-1/2"X75" |
| 13 | P0391002 | KEY 3/8" X 2" LONG |
| 14 | P1210033 | 501 SHAFT GUARD PLUG |

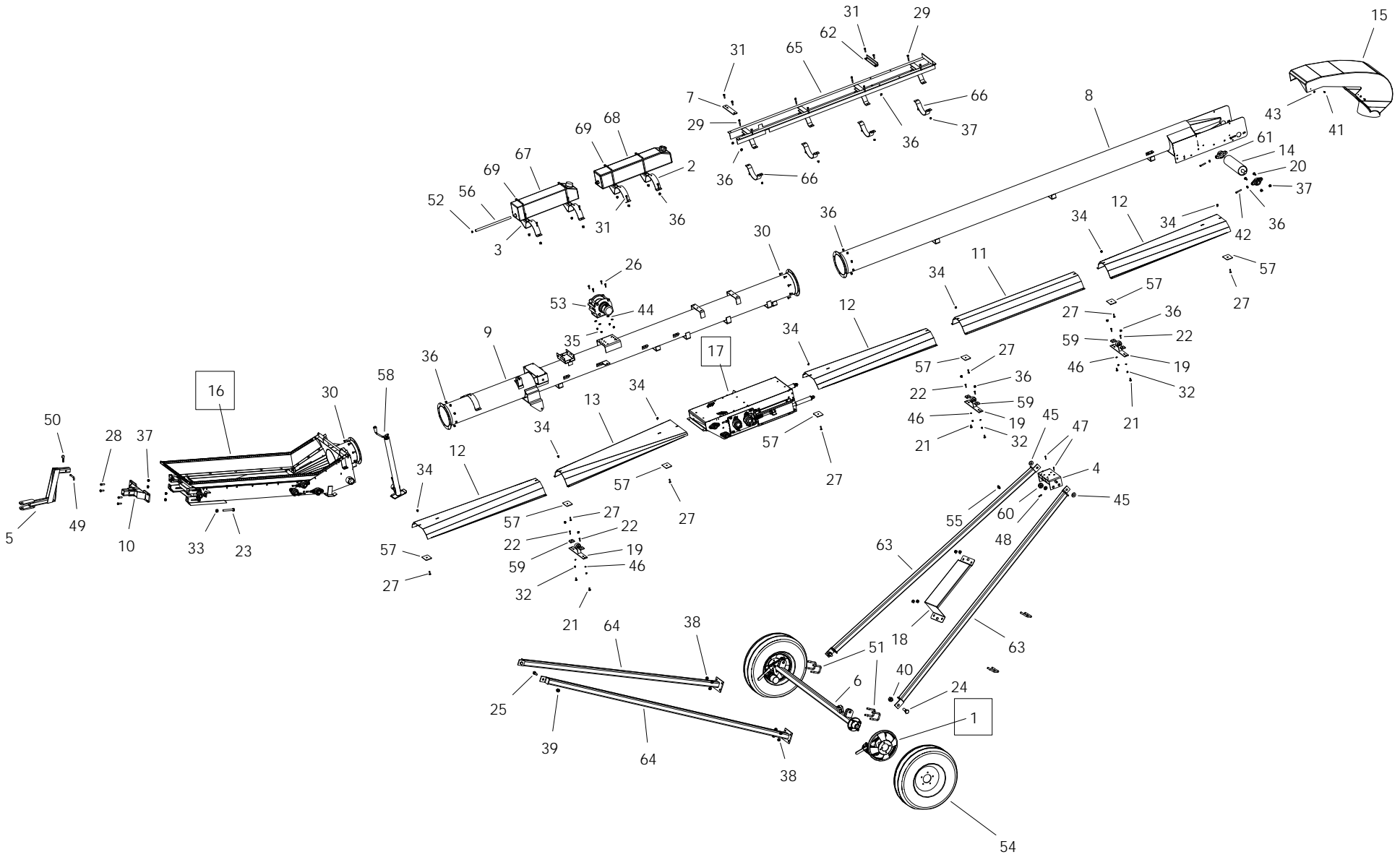
FRONT DRIVE PTO KIT 15 SERIES (15592230)



Note: Front PTO Kit (15592230) does not include item # 2, 8

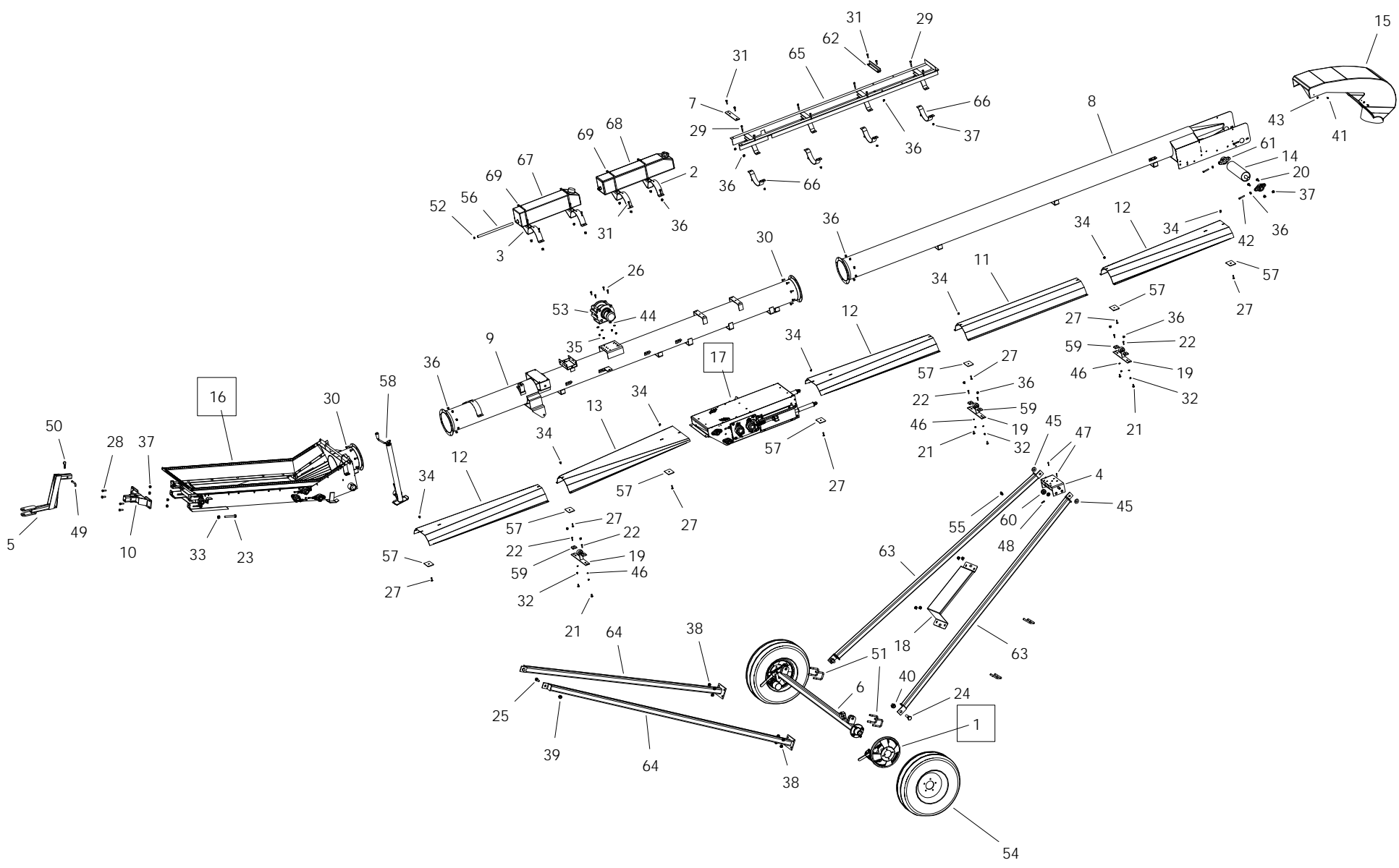
FRONT DRIVE PTO KIT 15 SERIES (15592230)

| ITEM | PART NO. | DESCRIPTION |
|------|----------|-------------------------------------|
| 1 | 01010002 | BREATHER -SWING AWAY |
| 2 | 15590020 | S-DRIVE ASM W/PINCH |
| 3 | 13030017 | CLEVIS |
| 4 | 13030064 | 13/15 ADJUSTABLE CLEVIS |
| 5 | 13030065 | 15 SWING ADJUSTABLE TONGUE |
| 6 | 13040011 | PTO GUARD SWING |
| 7 | 13090019 | SWING PTO CRADLE |
| 8 | 15020040 | BT HOPPER SECTION 10' WITH SD BKTS |
| 9 | 15040009 | COUPLING GUARD |
| 10 | 15041038 | SHAFT GUARD(FL-208) |
| 11 | 15090067 | GEARBOX MOUNT PLATFORM |
| 12 | 15090071 | SWING GEARBOX SIDE MT (SD) |
| 13 | 15090072 | SWING GEARBOX SIDE MT (GBOX) |
| 14 | 15591000 | GBOX 90 1:1 CW/CW 1-1/2 4190 W/OIL |
| 15 | 15591002 | GBOX 90 1:1 CW/CCW 1-1/2 4190 W/OIL |
| 16 | 15591003 | GBOX 90 1.5:1SFTMT 1-1/2 5190 W/OIL |
| 17 | 20040008 | GUARD 6190GB FLIP-UP |
| 18 | 20092097 | SWING 6190 GBOX SIDE MT (LINK ARM) |
| 19 | P0118007 | BOLT 1" X 4-1/2" GR8 PLATED |
| 20 | P0118131 | BOLT 1/4" X 1" GR8 PLATED |
| 21 | P0118046 | BOLT 3/8" X 1" GR8 PLATED |
| 22 | P0118013 | BOLT 1/2"X1 1/2" GR.8 PLATED |
| 23 | P0118016 | BOLT 1/2" X 2" GR8 PLATED |
| 24 | P0134026 | LOCKNUT-NYLON-3/8" GRADE 8 |
| 25 | P0134008 | LOCKNUT-NYLON-1/2" |
| 26 | P0134030 | LOCKNUT-NYLON-1" GRADE 8 |
| 27 | P0151006 | FLAT WASHER 1/4"PLATED USS |
| 28 | P0151009 | FLAT WASHER 3/8"PLATED USS |
| 29 | P0151029 | FLAT WASHER 1/2"PLATED USS |
| 30 | P0152004 | LOCK WASHER 1/4"PLATED |
| 31 | P0152008 | LOCK WASHER 1/2"PLATED |
| 32 | P0162001 | HITCH PIN 1/2" X 3" PLATED |
| 33 | P0162003 | HITCH PIN 1" X 3-1/2" PLATED |
| 34 | P0163001 | HAIR PIN 3/16" X 3-1/4" |
| 35 | P0167002 | SPRING PIN 3/8" X 2" |
| 36 | P0311003 | CHAIN FOR DRIVE(80-2RX12+CL) |
| 37 | P0338122 | SPROCKET-H80B12 X 1-1/2 |
| 38 | P0381003 | CV SHAFT-14E W/1-1/2"IMP.END |
| 39 | P0381028 | PTO SHAFT-1-1/2" BOTH ENDS-105"-35 |
| 40 | P0391002 | KEY 3/8" X 2" LONG |
| 41 | P1210022 | RECESSED HEAD BUTTON PLUG 1-1/2" |
| 42 | P1210033 | 501 SHAFT GUARD PLUG |
| 43 | 15030015 | HITCH |



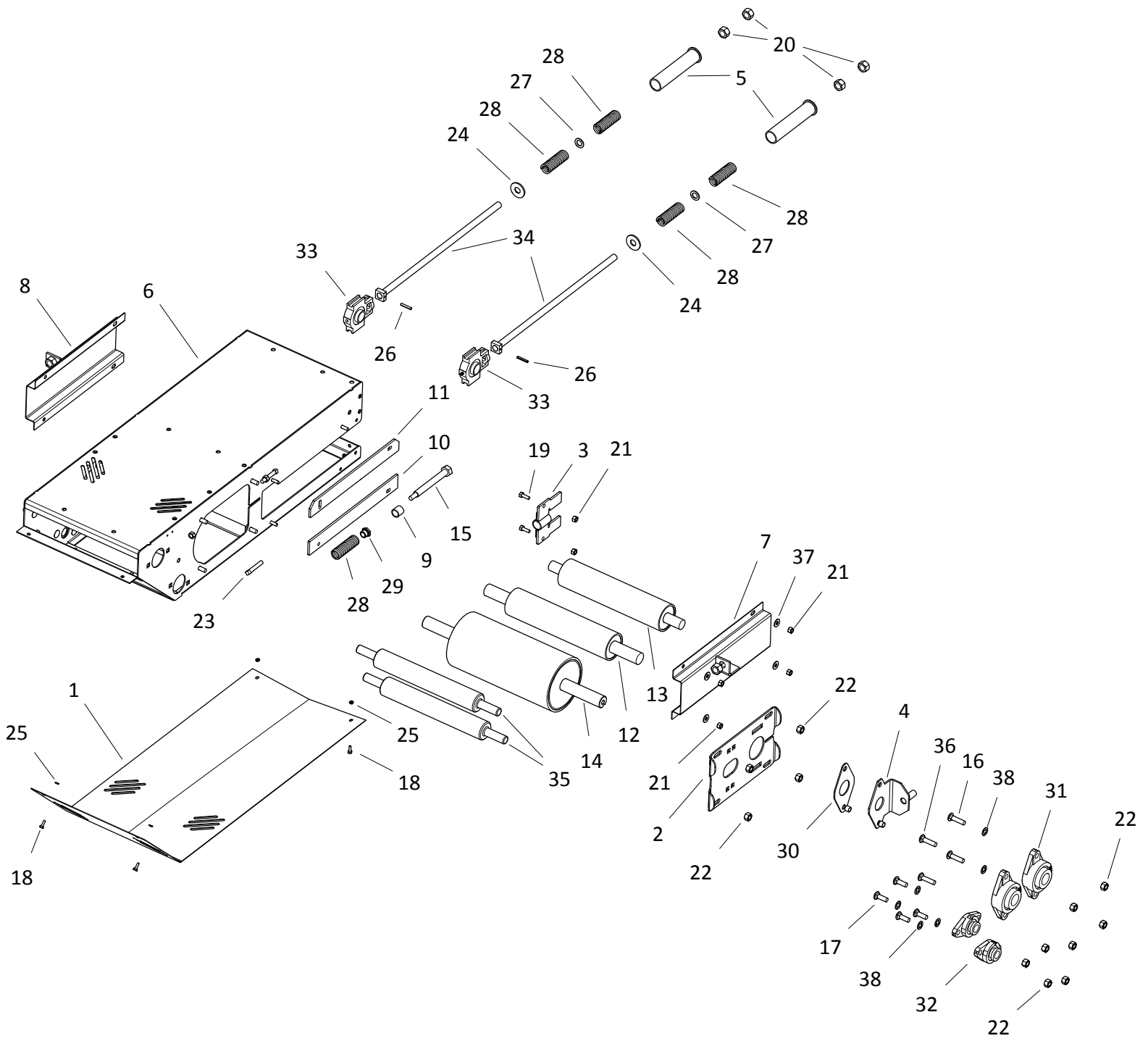
1535 FL FMD-15503525

| ITEM | PART NO. | DESCRIPTION |
|------|-----------|-------------------------------------|
| 1 | 13000139 | MOVER WHEEL MOVE DRIVE SYS.2.5 AXLE |
| 2 | 13011038 | PLASTIC TANK SIDE MOUNT W 2.5" CLAM |
| 3 | 13011039 | EXT. PLASTIC TANK SIDE MOUNT |
| 4 | 13030042 | 13/15 TRACK SLIDER |
| 5 | 13030096 | FL Z-DROP TONGUE |
| 6 | 13030100 | AXLE 30-45-2-1/2" (WITH 8 LUGS) |
| 7 | 13032094 | 35/45 SMALL CABLE ATTACH |
| 8 | 15020050 | SPOUT SECTION 15' W/ RTRN MOUNTS |
| 9 | 15020074 | 1535FL CENTER - WELD ON BRKTS |
| 10 | 15030007 | HITCH FL (ONE PC) |
| 11 | 15042101 | WEATHER GUARD 5' - 61-1/2" |
| 12 | 15042102 | WEATHER GUARD 5' FLR - 61-1/2" |
| 13 | 15042103 | WEATHER GUARD 5' FLAT - 61-1/2" |
| 14 | 15070009 | HOPPER/SPOUT ROLLER LAGGED |
| 15 | P1211501 | HOOD-ROUND 15 SERIES (KANBAN) |
| 16 | 15555540 | HOPPER RLLER KIT -FL |
| 17 | 15590020 | S-DRIVE ASM W/PINCH |
| 18 | P2513003 | INSPECTION STEP BI-MOUNT |
| 19 | 150100911 | WEATHER GUARD MOUNT BAR KIT-POLY |
| 20 | P0113004 | CARRIAGE BOLT 1/2"X1-1/2"PLATED |
| 21 | P0113013 | CARRIAGE BOLT 7/16"X1" PLATED |
| 22 | P0113020 | CARRIAGE BOLT 5/16"X1-1/2"PLATED |
| 23 | P0114006 | TAP BOLT 3/4 X 5 PLATED |
| 24 | P0118004 | BOLT 1" X 3" GR8 PLATED |
| 25 | P0115111 | BOLT 3/4" X 2" GR8 PLATED |
| 26 | P0115113 | BOLT 3/8" X 1-1/2" GR8 PLATED |
| 27 | P0115303 | CAPSCREW 3/8X1-1/4FLT HD SOCKET PTD |
| 28 | P0118013 | BOLT 1/2"X1 1/2" GR.8 PLATED |
| 29 | P0118017 | BOLT 1/2"X2-1/2"GRADE 8 PLATED |
| 30 | P0118076 | BOLT 7/16"X1" GRADE 8 PLATED |
| 31 | P0118077 | BOLT 7/16"X1-1/2" GRADE 8 PLATED |
| 32 | P0131017 | NUT 5/16" PLATED GRADE 8 |
| 33 | P0131019 | NUT 3/4" PLATED GRADE 8 |
| 34 | P0134026 | LOCKNUT-NYLON-3/8" GRADE 8 |
| 35 | P0134026 | LOCKNUT-NYLON-3/8" GRADE 8 |
| 36 | P0134007 | LOCKNUT-NYLON-7/16" |
| 37 | P0134008 | LOCKNUT-NYLON-1/2" |
| 38 | P01340101 | LOCKNUT-NYLON-5/8" GRADE 8 |
| 39 | P0134029 | LOCKNUT-NYLON-3/4" GRADE 8 |
| 40 | P0134030 | LOCKNUT-NYLON-1" GRADE 8 |
| 41 | P0141002 | TEK SCREW 1/4"X1" |
| 42 | P0145002 | SET SCREW-7/16"X2-1/2"SQ.HD. |
| 43 | P0151006 | FLAT WASHER 1/4"PLATED USS |
| 44 | P0151009 | FLAT WASHER 3/8"PLATED USS |
| 45 | P0151026 | FLAT WASHER 3/4"SAE |
| 46 | P0152010 | LOCK WASHER 5/16"PLATED |



1535 FL FMD-15503525

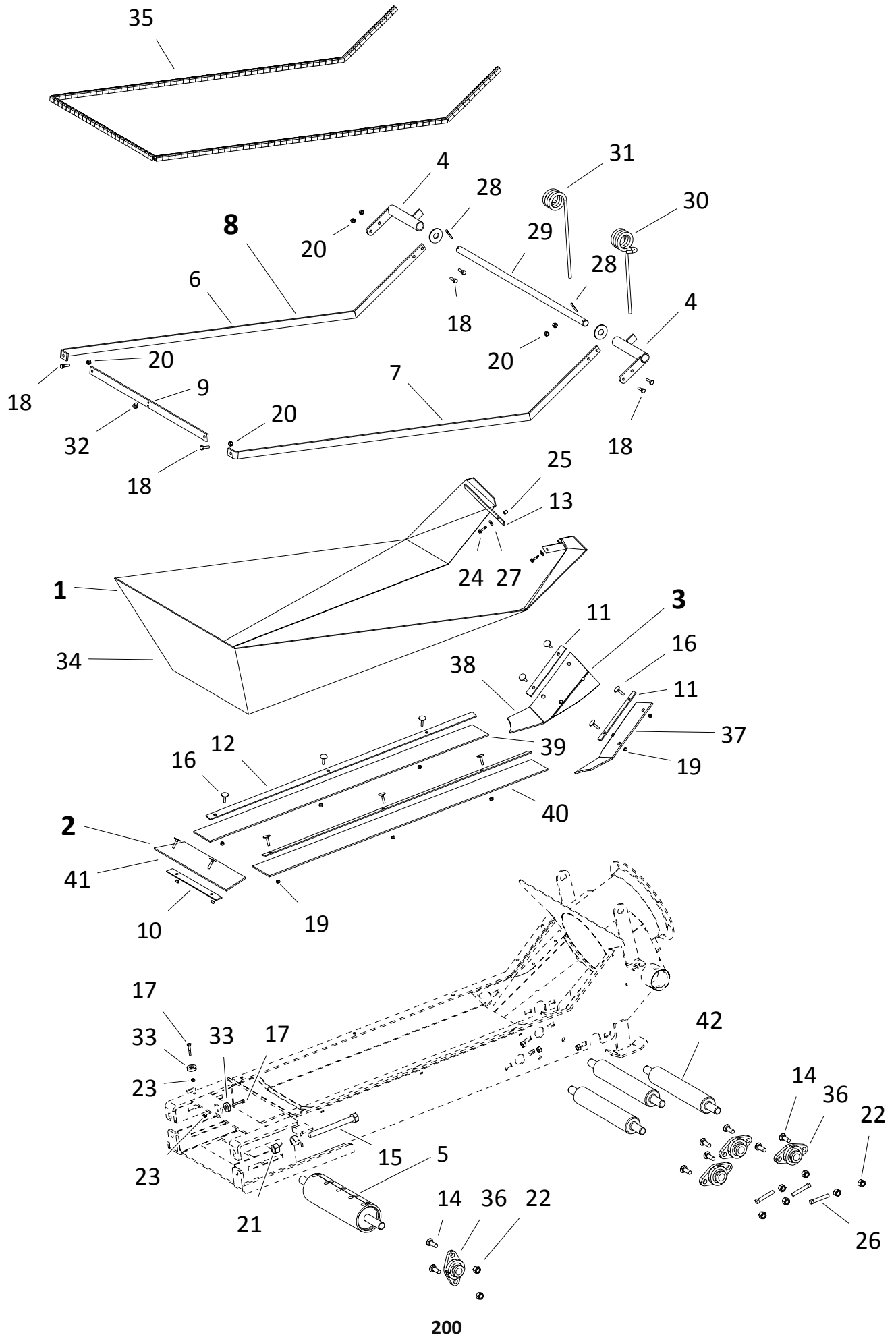
| ITEM | PART NO. | DESCRIPTION |
|------|--------------|-------------------------------------|
| 47 | P0161001 | Cotter Pin 1/4 x 2 |
| 48 | P0161002 | COTTER PIN 5/32X1-1/2" PLATED |
| 49 | P0162001 | HITCH PIN 1/2" X 3" PLATED |
| 50 | P0163001 | HAIR PIN 3/16" X 3-1/4" |
| 51 | P0183003 | U-BOLT 2-1/2" X 2-1/2" (5/8) PLATED |
| 52 | P0184033 | WIRE HOSE CLAMP .500" |
| 53 | P0217634B | HYDRAULIC WINCH KIT |
| 54 | P0614301 | TIRE ASSEMBLY-15"X4.5"X4BOLT |
| 55 | P0712105 | CABLE CLAMP-5/16" GALV. |
| 56 | P0831008 | FUEL LINE-1/4"ID |
| 57 | P1010001 | UNI-MOUNT PLATE CAST |
| 58 | P1012010 | JACK-1000LB ROUND JACK (15" EXT) |
| 59 | P1210030 | BELT GUIDE BLOCK |
| 60 | P1211305 | ROLLER 2" NYLON |
| 61 | P1711001 | FLANGE UNIT-1-1/2"-SAFL208-24 |
| 62 | 13032125 | BOLT ON ANGLE |
| 63 | 13030053 | 1330TD/1335FL Upright Arms |
| 64 | 13030102 | AXLE ARM 30/35TD/45-2-1/2" |
| 65 | 13031020 | 13/15 4 BAND TRACK |
| 66 | P2513202P | 2" U-CLAMP -PAINTED |
| 67 | P021200051 | GAS TANK W/CAP W/FITTING-22L |
| 68 | P029900052-3 | TANK, 22L, BLK W/FTG, CAP HOSE |
| 69 | P029900216 | GEAR CLAMP 32" |
| 70 | 15570352 | 1535FL 85' |
| 71 | P07111118 | CABLE-5/16" (26') |
| 72 | P1243001 | CABLE TIE 14" 120 LB |
| 73 | P2227989 | MANUAL HOLDER AND LID |
| 74 | P0712114 | THROTTLE CONTROL 15' |
| 75 | P0712102 | CHOKE CABLE-15' LOCKING |



S-DRIVE (15590020)

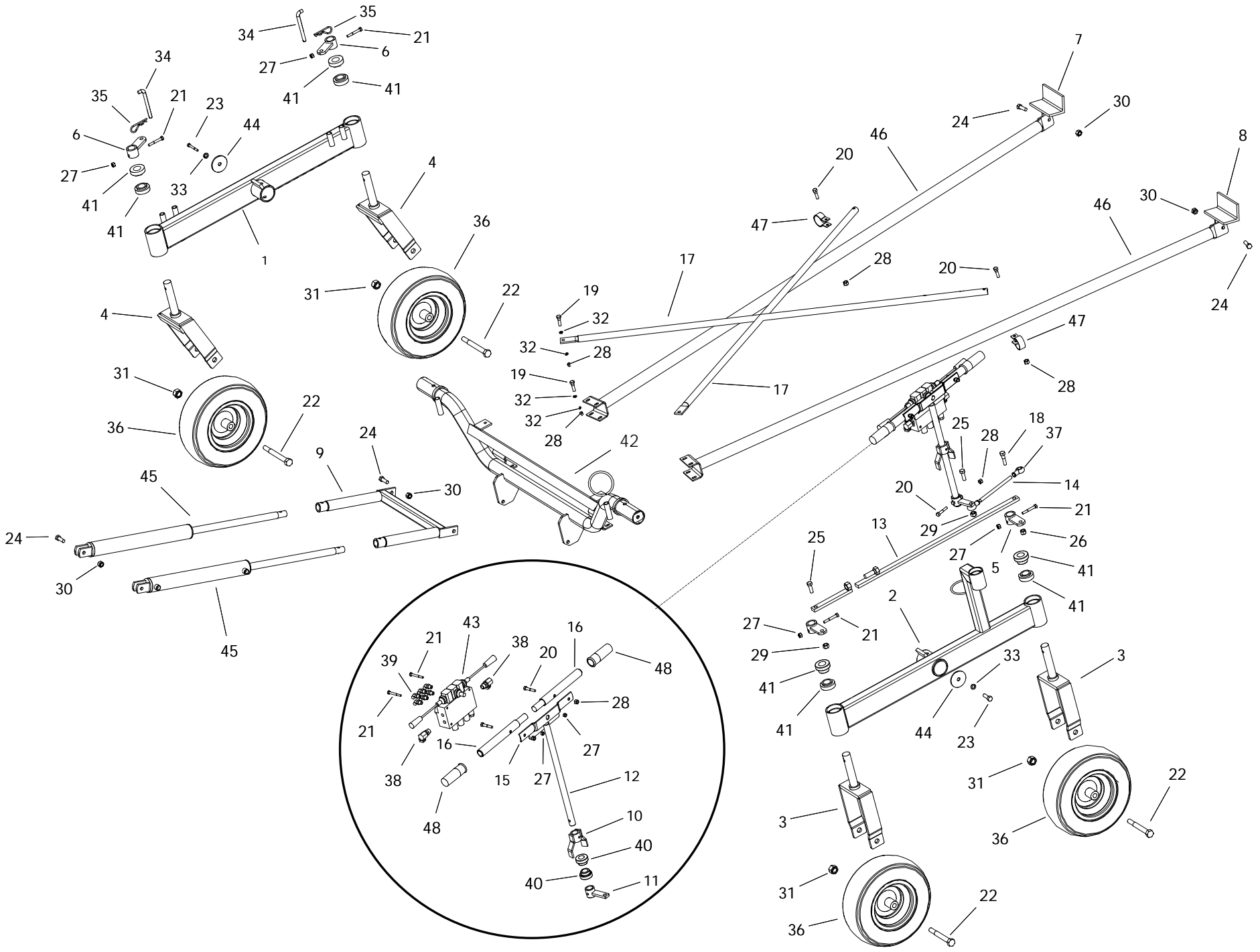
| ITEM | PART NO. | DESCRIPTION |
|------|-----------|-------------------------------------|
| 1 | 15040001 | PINCH SD BOTTOM GUARD |
| 2 | 15060061 | SD COVER PLATE 6-1/2"ROLLER |
| 3 | 15060027 | S-DRIVE TENSION INDICATOR |
| 4 | 15060082 | PINCH TIGHTENER PLATE |
| 5 | 15060504 | PRETENSIONER 1550 |
| 6 | 15061045 | S-DRIVE PINCH |
| 7 | 15061046 | SIDE GUARD LH |
| 8 | 15061047 | SIDE GUARD RH |
| 9 | 15062010 | PINCH PIPE |
| 10 | 15062179 | S-DRIVE SLIDER BOLT PLATE - BOTTOM |
| 11 | 15062180 | S-DRIVE SLIDER BOLT PLATE - TOP |
| 12 | 15070019 | 3-1/2"TAKE-UP (PINCH) |
| 13 | 15070020 | 3-1/2"TAKE-UP 19.5"SHAFT |
| 14 | 15070030 | DRIVE ROLLER-6-1/2" W/EXT SHAFT |
| 15 | P0113000 | SPRING TENSION BOLT |
| 16 | P0113001 | CARRIAGE BOLT 1/2"X2" PLATED |
| 17 | P0113004 | CARRIAGE BOLT 1/2"X1-1/2"PLATED |
| 18 | P0118033 | BOLT 1/4" X 3/4" GR8 PLATED |
| 19 | P0118046 | BOLT 3/8" X 1" GR8 PLATED |
| 20 | P0131019 | NUT 3/4" PLATED GRADE 8 |
| 21 | P0134026 | LOCKNUT-NYLON-3/8" GRADE 8 |
| 22 | P0134008 | LOCKNUT-NYLON-1/2" |
| 23 | P0145004 | SET SCREW-7/16"X1-1/2"SQ.HD.PLATED |
| 24 | P0151015 | FLAT WASHER 3/4"PLATED USS |
| 25 | P0152004 | LOCK WASHER 1/4"PLATED |
| 26 | P0167001 | SPRING PIN 1/4" X 1-1/2" |
| 27 | P0351015 | MACHINERY BUSH 3/4"X1-1/4"-14G PTD. |
| 28 | P0511008 | SPRING-LD-1300 SERIES |
| 29 | P0820129 | BUSHING BRASS FLANGED |
| 30 | P1210102 | BELT TIGHTENER SLIDER PLATE FL208 |
| 31 | P1711001 | FLANGE UNIT-1-1/2"-SAFL208-24 |
| 32 | P1711004 | FLANGE UNIT-1"-SAFL205-16 |
| 33 | P1721001 | TAKE-UP UNIT-1-1/4"-T206-20 |
| 34 | P2515006 | 15 S-DRIVE TIGHTENER BOLT |
| 35 | P20315001 | S-DRIVE RETURN-1" ROLLER |
| 36 | P0113003 | CARRIAGE BOLT 1/2"X2-1/2"PLATED |
| 37 | P0151009 | FLAT WASHER 3/8"PLATED USS |
| 38 | P0151037 | FLAT WASHER 0.531 SQUARE-1.00-0.060 |

HOPPER (15000303P)



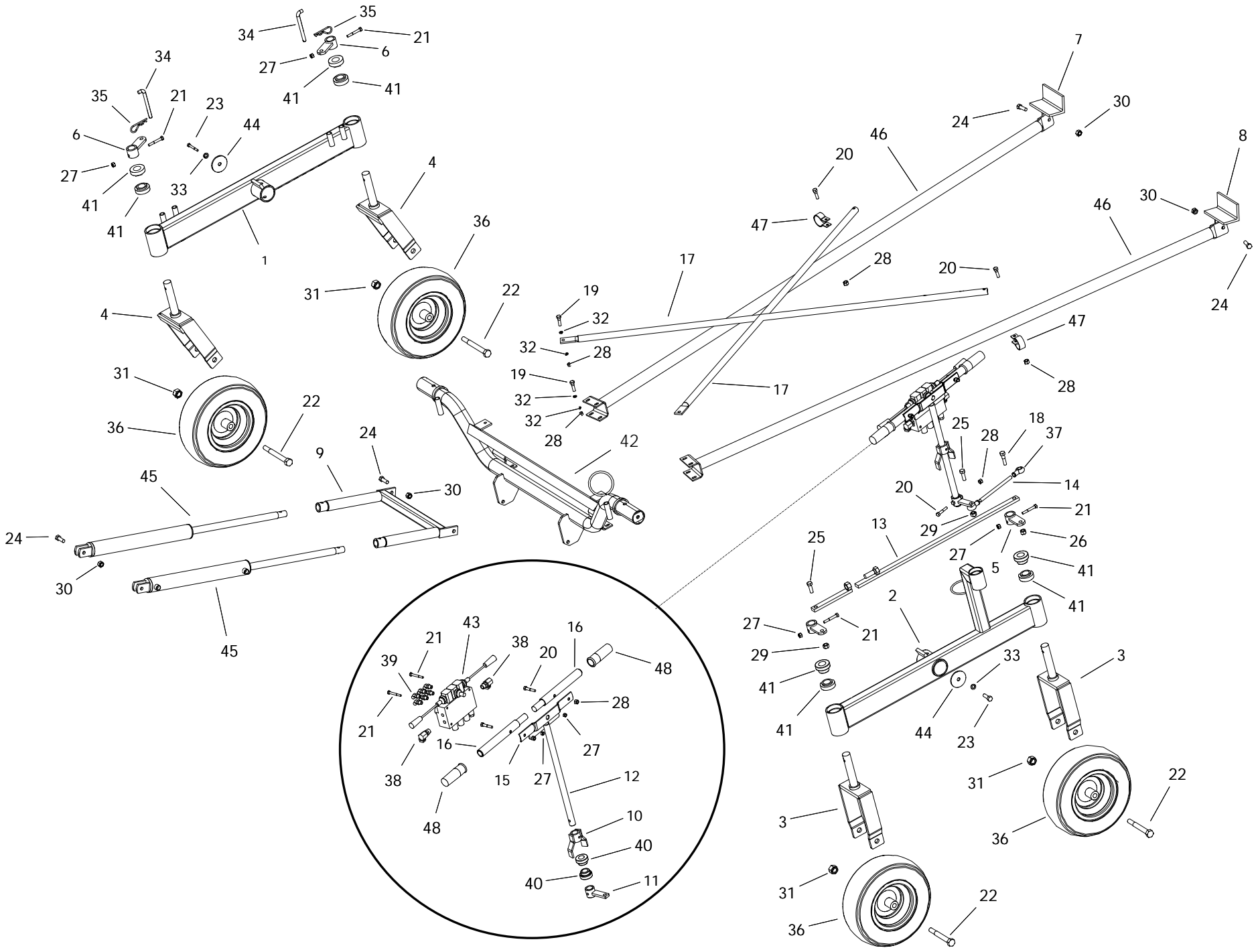
HOPPER (15000303P)

| ITEM | PART NO. | DESCRIPTION |
|------|-----------|----------------------------------|
| 1 | 15000303P | HOPPER -COLLAPSABLE 1515 |
| 2 | 15000307P | HOPPER LINER KIT 1515LP |
| 3 | 15000308P | HOPPER -FLASHING ONLY 1515LP |
| 4 | 15050010 | PIVOT SHAFT RIGHT |
| 5 | 15070012 | TAKE-UP ROLLER-1-1/4" LAGGED |
| 6 | 15100001 | UPPER CLOTH FRAME TR RIGHT |
| 7 | 15100002 | UPPER CLOTH FRAME TR LEFT |
| 8 | 15100021 | HOPPER CLOTH FRAME-UPPER 1515LP |
| 9 | 15102052 | UPPER CLOTH FRAME TR FRONT |
| 10 | 15102058 | LOWER CLOTH FRAME TR FRONT |
| 11 | 15102059 | LOWER CLOTH FRAME TR TRANSITION |
| 12 | 15102060 | LOWER CLOTH FRAME TR SIDE |
| 13 | 15102061 | LOWER CLOTH FRAME TR BACK |
| 14 | P0113004 | CARRIAGE BOLT 1/2"X1-1/2"PLATED |
| 15 | P0114007 | TAP BOLT 3/4 X 7 PLATED |
| 16 | P0116001 | ELEVATOR BOLT 1/4"X1-1/4" |
| 17 | P0118026 | BOLT 1/4" X 1-1/2" GR8 PLATED |
| 18 | P0118061 | BOLT 5/16" X 1" GR8 PLATED |
| 19 | P0131016 | NUT 1/4" PLATED GRADE 8 |
| 20 | P0131017 | NUT 5/16" PLATED GRADE 8 |
| 21 | P0131112 | NUT 3/4"PLATED |
| 22 | P0134008 | LOCKNUT-NYLON-1/2" |
| 23 | P0134023 | LOCKNUT-NYLON-1/4" GR8 |
| 24 | P0141002 | TEK SCREW 1/4"X1" |
| 25 | P0145001 | VINYL SCREW CAP |
| 26 | P0145002 | SET SCREW-7/16"X2-1/2"SQ.HD. |
| 27 | P0151006 | FLAT WASHER 1/4"PLATED USS |
| 28 | P0161003 | COTTER PIN 3/16"X1-1/2"PLATED |
| 29 | P0162007 | HOPPER PIVOT SHAFT-13/15 |
| 30 | P0521001 | HOPPER SPRING-L |
| 31 | P0521002 | HOPPER SPRING-R |
| 32 | P0712104 | CABLE CLAMP-1/8" GALV. |
| 33 | P0713104 | CABLE SHEAVE-1-1/4" W/BEARING |
| 34 | P1621010 | HOPPER CANVAS 1515LP |
| 35 | P1641015 | TRIM LOCK |
| 36 | P1711002 | FLANGE UNIT-1-1/4"-SAFL206-20 |
| 37 | P19159010 | TRANSITION FLASHING LEFT 15S FL |
| 38 | P19159011 | TRANSITION FLASHING RIGHT 15S FL |
| 39 | P19159008 | FL HOPPER FLASHING LH |
| 40 | P19159009 | FL HOPPER FLASHING RH |
| 41 | P19159012 | FRONT HOPPER FLASHING |
| 42 | P20315002 | TRANSITION ROLLER |



WHEEL MOVE

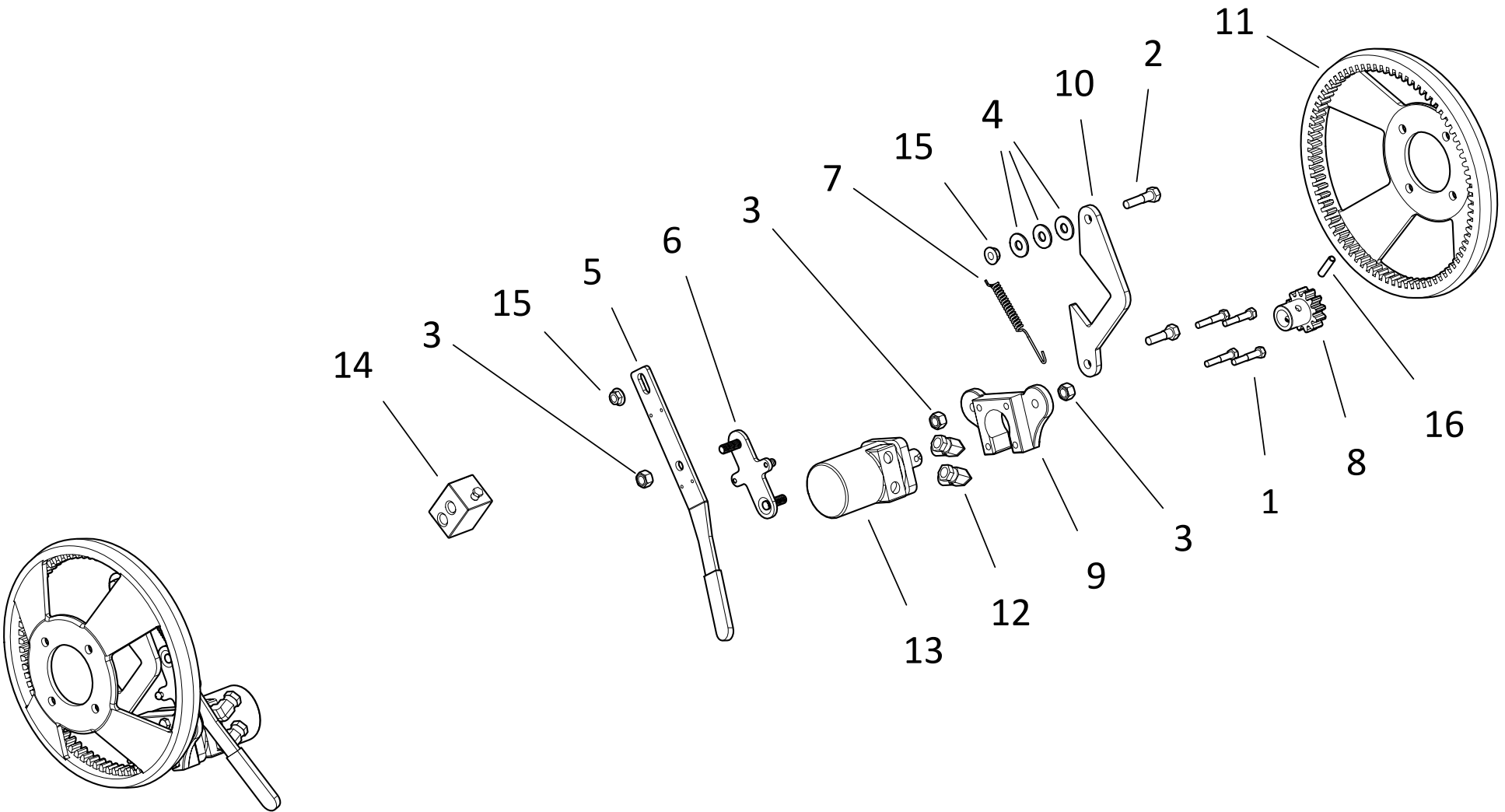
| ITEM | PART NO. | DESCRIPTION |
|------|---------------|-------------------------------------|
| 1 | 13120003 | WALKING BEAM |
| 2 | 13120004 | WALKING BEAM-STEERING |
| 3 | 13120005 | FORK-STRAIGHT |
| 4 | 13120006 | FORK-ANGLED |
| 5 | 13120007 | STEERING PIPE |
| 6 | 13120008 | LOCKING PIPE |
| 7 | 13120012 | WHEEL MOVE AXLE TAB RIGHT 35/45 |
| 8 | 13120013 | WHEEL MOVE AXLE TAB LEFT 35/45 |
| 9 | 13120016 | DOUBLE RAM EXTENSION 35/45 FL |
| 10 | 13120023 | STEERING STOP |
| 11 | 13120024 | HD CASTOR RETAINER C/W YOKE LINK AR |
| 12 | 13120125 | STEERING WELDMENT |
| 13 | 13122023 | STEERING LINK ARM |
| 14 | 13122076 | LINKAGE - THREADED 1/2X8 ROD |
| 15 | 13122078 | HANDLE JOINT |
| 16 | 13122087 | WM STEERING HANDLE PIPE |
| 17 | 15122031 | 71 CROSS BRACE PIPE |
| 18 | P0118029 | BOLT 1/4" X 2" GR8 PLATED |
| 19 | P0115113 | BOLT 3/8" X 1-1/2" GR8 PLATED |
| 20 | P0118050 | BOLT 3/8" X 2" GR8 PLATED |
| 21 | P0118063 | BOLT 5/16" X 2-1/2" GR8 PLATED |
| 22 | P0118133 | BOLT 3/4" X 7" GR8 PLATED |
| 23 | P0118013 | BOLT 1/2"X1 1/2" GR.8 PLATED |
| 24 | P0118016 | BOLT 1/2" X 2" GR8 PLATED |
| 25 | P0118077 | BOLT 7/16"X1-1/2" GRADE 8 PLATED |
| 26 | P0134023 | LOCKNUT-NYLON-1/4" GR8 |
| 27 | P0134027 | LOCKNUT-NYLON-5/16" GRADE 8 |
| 28 | P0134026 | LOCKNUT-NYLON-3/8" GRADE 8 |
| 29 | P0134007 | LOCKNUT-NYLON-7/16" |
| 30 | P0134008 | LOCKNUT-NYLON-1/2" |
| 31 | P0134029 | LOCKNUT-NYLON-3/4" GRADE 8 |
| 32 | P0151009 | FLAT WASHER 3/8"PLATED USS |
| 33 | P0152008 | LOCK WASHER 1/2"PLATED |
| 34 | P0162004 | HITCH PIN 1/2" X 5" PLATED |
| 35 | P0163001 | HAIR PIN 3/16" X 3-1/4" |
| 36 | P0614306 | TIRE & RIM 480X8 LRC |
| 37 | P0631010 | TIE ROD END BALL JOINT |
| 38 | P0820010 | SWIVEL-8MORBX1/2"FPT/90D |
| 39 | P0820611 | ELBOW-6 ORBX3/8"JIC M 45 |
| 40 | P1742001 | BEARING-1"(SAA205-16) |
| 41 | P1742002 | BEARING-1-1/4" |
| 42 | P2214123 | WHEEL FRAME ASSEMBLY COMPLETE |
| 43 | P08610091 | VALVE-3 SPL-W/2 HANDLES |
| 44 | P11130185 | AXLE END CAP |
| 45 | P020200308 | HYDRAULIC CYLINDER |
| 46 | P020200319-76 | TRANSPORT FRAME PIPE-76" |



WHEEL MOVE

| ITEM | PART NO. | DESCRIPTION |
|------|------------|------------------------|
| 47 | P020200321 | CROSS BRACE CLAMP BAND |
| 48 | P020200344 | HANDLE GRIP 1-1/4" |

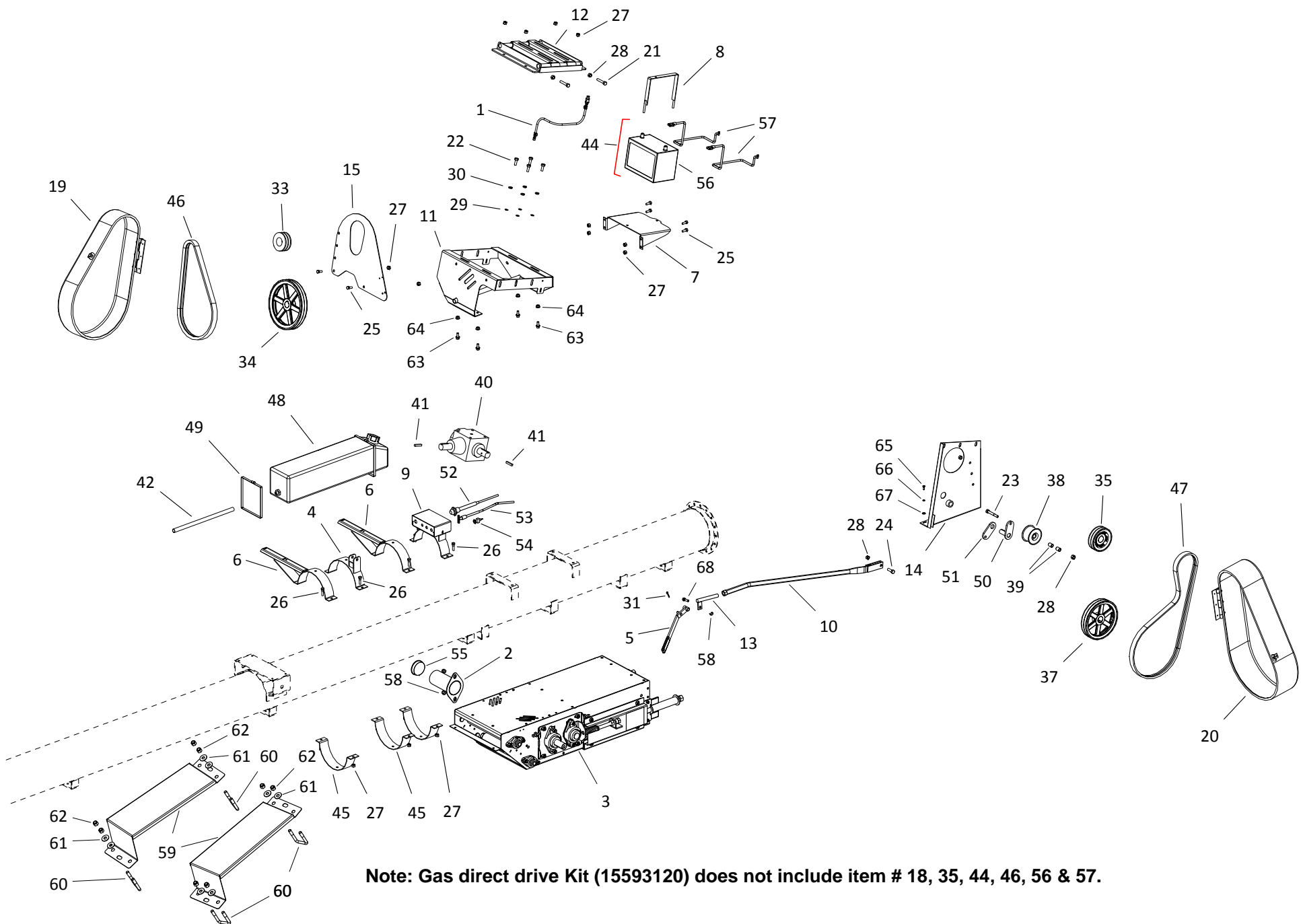
WHEEL MOVE DRIVE SYSTEM (13000139)



WHEEL MOVE DRIVE SYSTEM (13000139)

| ITEM | PART NO. | DESCRIPTION |
|------|-------------|------------------------------------|
| 1 | P0118050 | BOLT 3/8" X 2" GR8 PLATED |
| 2 | P0118016 | BOLT 1/2" X 2" GR8 PLATED |
| 3 | P0134008 | LOCKNUT-NYLON-1/2" |
| 4 | P0151029 | FLAT WASHER 1/2"PLATED USS |
| 5 | P020200007 | HANDLE WITH GRIP |
| 6 | 15121033 | PAINTED HANDLE LINK ARM |
| 7 | P020200009 | HANDLE SPRING |
| 8 | P020200333 | PINION GEAR-1"ID 3/8"HOLE |
| 9 | P020200338A | MOTOR ARM -EYEGLOSS PIECE, DRILLED |
| 10 | P020200340 | AXLE CAP FOR O/CENTER UNPAINTED |
| 11 | P0615315 | RING GEAR - 4 BOLT C/W MOUNT PLATE |
| 12 | P0820013 | SWIVEL-1/2MX3/8F90 |
| 13 | P0841012 | HYD MOTOR-6.3 (5.9H) RS-1/2" HOLE |
| 14 | P0861201 | CUSHION BLOCK, COMPLETE |
| 15 | P0134108 | LOCKNUT-TENSILOCK-1/2" |
| 16 | P0167101 | ROLL PIN SLOTTED 3/8" X 1-1/2" |
| 17 | P0821127 | SWIVEL-3/8"-STR. |
| 18 | P0163011 | HAIR PIN 5/32X2-15/16 (66326) |
| 19 | P0113004 | CARRIAGE BOLT 1/2"X1-1/2"PLATED |

1535FL GAS DIRECT DRIVE KIT (15593120)

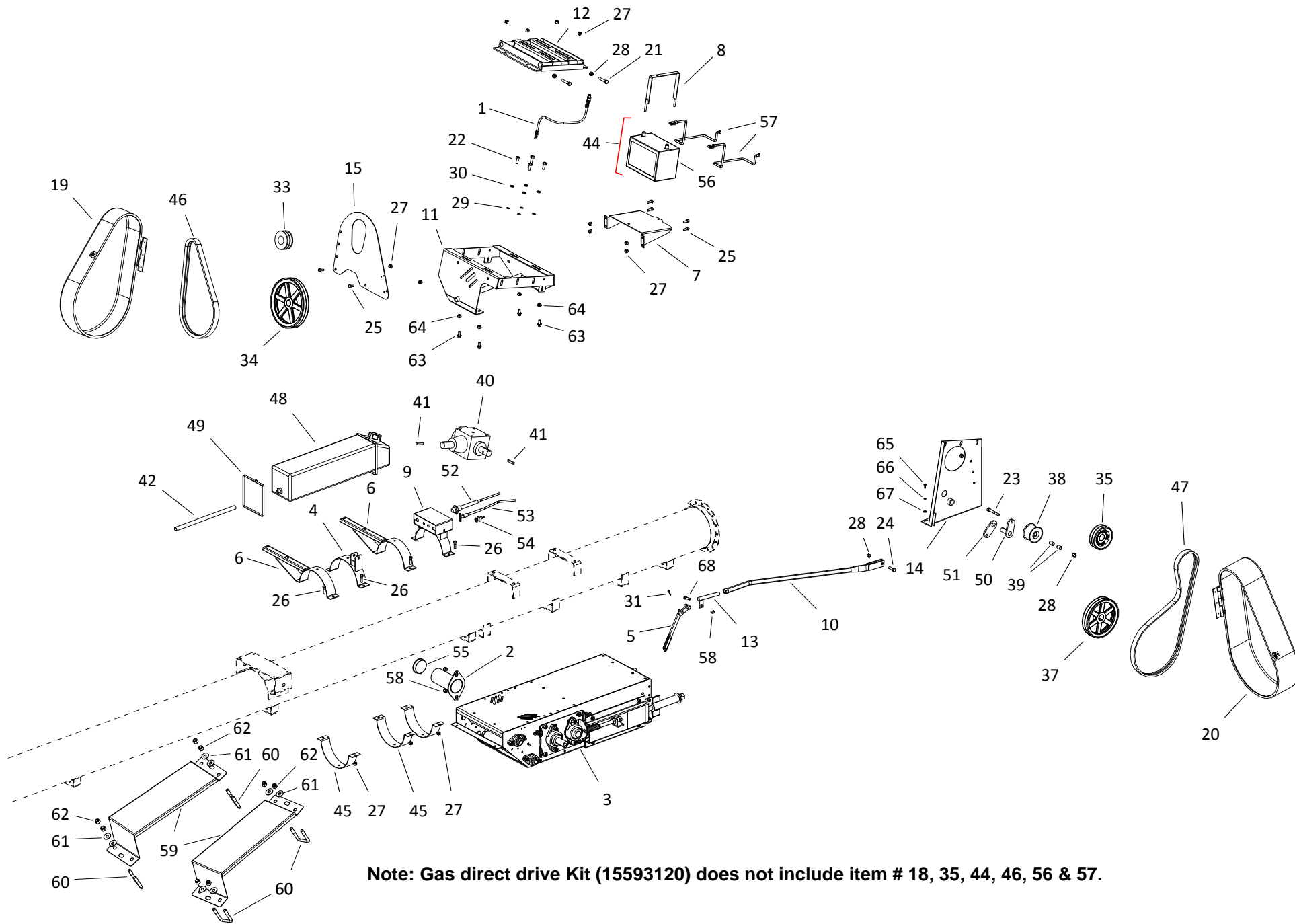


Note: Gas direct drive Kit (15593120) does not include item # 18, 35, 44, 46, 56 & 57.

1535FL GAS DIRECT DRIVE KIT (15593120)

| ITEM | PART NO. | DESCRIPTION |
|------|------------|------------------------------------|
| 1 | 01010003 | BREATHER DIRECT DRIVE |
| 2 | 24041038 | SHAFT GUARD(FL-210) |
| 3 | 15590020 | S-DRIVE ASM W/PINCH |
| 4 | 13010048 | MOTOR MT OVERCENTER ANCHOR BKT |
| 5 | 13010054 | MOTOR MT OVERCENTER HANDLE |
| 6 | 13011039 | EXT. PLASTIC TANK SIDE MOUNT |
| 7 | 13012108 | MOTOR MOUNT BATTERY MOUNT |
| 8 | 13060054 | BATTERY CLAMP |
| 9 | 13060080 | DIRECT DRV CONTROL BOX |
| 10 | 24060084 | 24 MOTOR MT OVERCENTER PUSHROD |
| 11 | 13060102 | MOTOR MOUNT |
| 12 | 13060103 | SLIDER MOUNT |
| 13 | 13060074 | OVERCENTER ADJUSTER |
| 14 | 13060105 | MOTOR MOUNT BACK PLATE |
| 15 | 13060107 | ENGINE GUARD BACK |
| 19 | 15040055 | PINCH GUARD SMALL ASSEMBLED |
| 20 | 15040056 | PINCH GUARD MED ASSEMBLED |
| 21 | P0114005 | TAP BOLT 1/2 X 2-1/2 GR.8 PLATED |
| 22 | P0118020 | BOLT 1/2" X 1-1/4" GR8 PLATED |
| 23 | P0118019 | BOLT 1/2" X 3-1/2" GR8 PLATED |
| 24 | P0118013 | BOLT 1/2"X1 1/2" GR.8 PLATED |
| 25 | P0118076 | BOLT 7/16"X1" GRADE 8 PLATED |
| 26 | P0118077 | BOLT 7/16"X1-1/2" GRADE 8 PLATED |
| 27 | P0134007 | LOCKNUT-NYLON-7/16" |
| 28 | P0134008 | LOCKNUT-NYLON-1/2" |
| 29 | P0151029 | FLAT WASHER 1/2"PLATED USS |
| 30 | P0152008 | LOCK WASHER 1/2"PLATED |
| 31 | P0161003 | COTTER PIN 3/16"X1-1/2"PLATED |
| 33 | P0328018 | PULLEY-DBL-BK-4"H |
| 34 | P0328024 | PULLEY-DBL-12" W/1-1/2"BORE |
| 35 | P0328025 | PULLEY-DBL-6" W/1-1/2"BORE |
| 37 | P0328062 | PULLEY-DBL-10" W/1-1/2"BORE |
| 38 | P0328910 | IDLER-FLAT-4"TRPL 2-7/16"WIDE |
| 39 | P0351019 | DNR-BUSHING 3/4"ODX1/2"IDX1"BRONZE |
| 40 | 15591001 | GBOX 90 2:1 CW/CW 1-1/2 4190 W/OIL |
| 41 | P0391002 | KEY 3/8" X 2" LONG |
| 42 | P0831008 | FUEL LINE-1/4"ID |
| 42 | P0841033 | PUMP-SMALL |
| 42 | P0841033S | PUMP-0.375 CW/END PORTS SEAL |
| 44 | 13000260 | BATTERY AND CABLE PKG. |
| 45 | P2219801P | U-CLAMP HANGER-10"X2-1/2"-BLACK |
| 46 | P03210531 | BELT 2B53 BANDED |
| 47 | P03210651 | BELT 2B65 BANDED |
| 48 | P021200051 | GAS TANK W/CAP W/FITTING-22L |
| 49 | P029900216 | GEAR CLAMP 32" |
| 50 | 13060113 | ROCKER ARM PIVOT SHAFT |

1535FL GAS DIRECT DRIVE KIT (15593120)

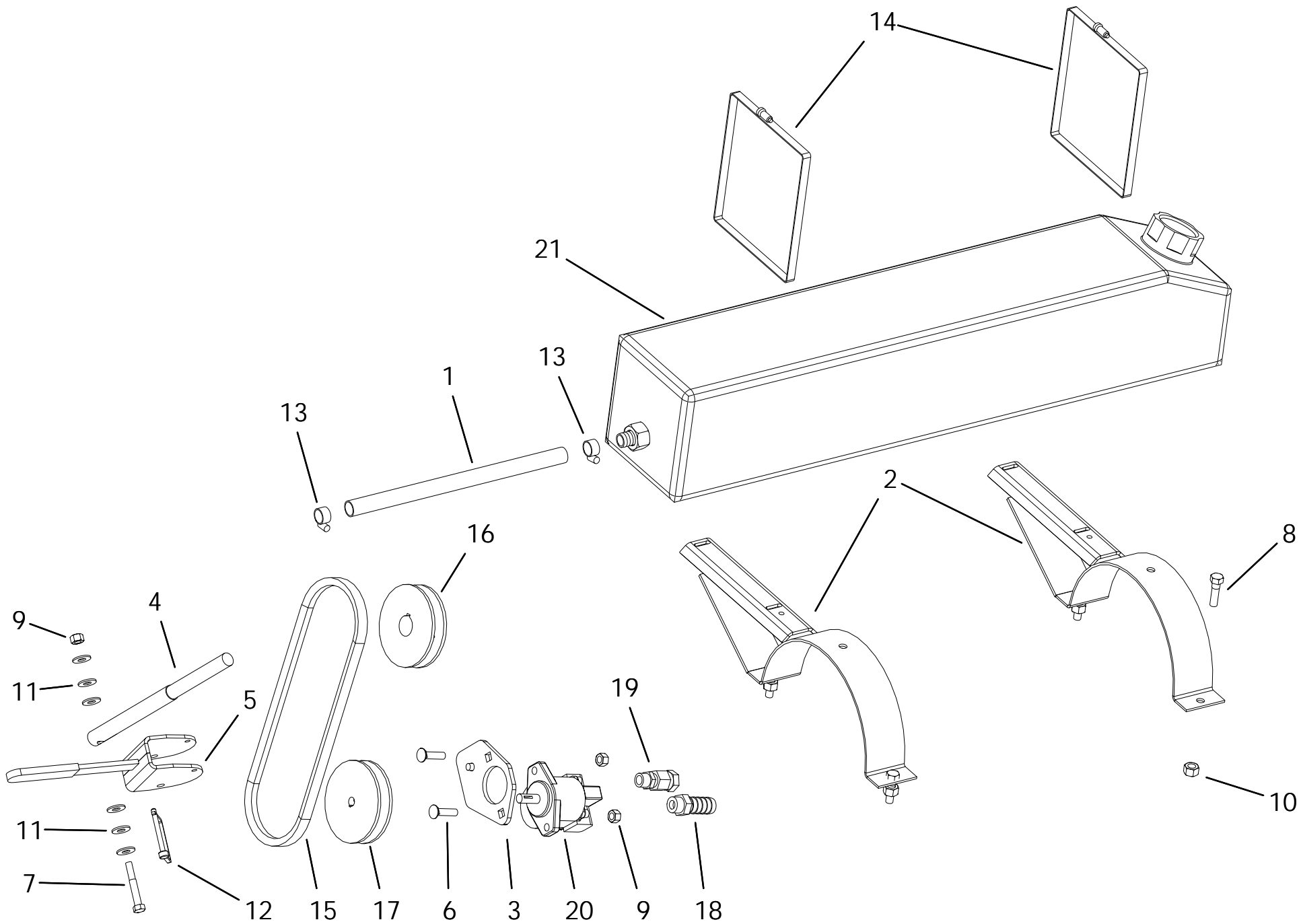


Note: Gas direct drive Kit (15593120) does not include item # 18, 35, 44, 46, 56 & 57.

1535FL GAS DIRECT DRIVE KIT (15593120)

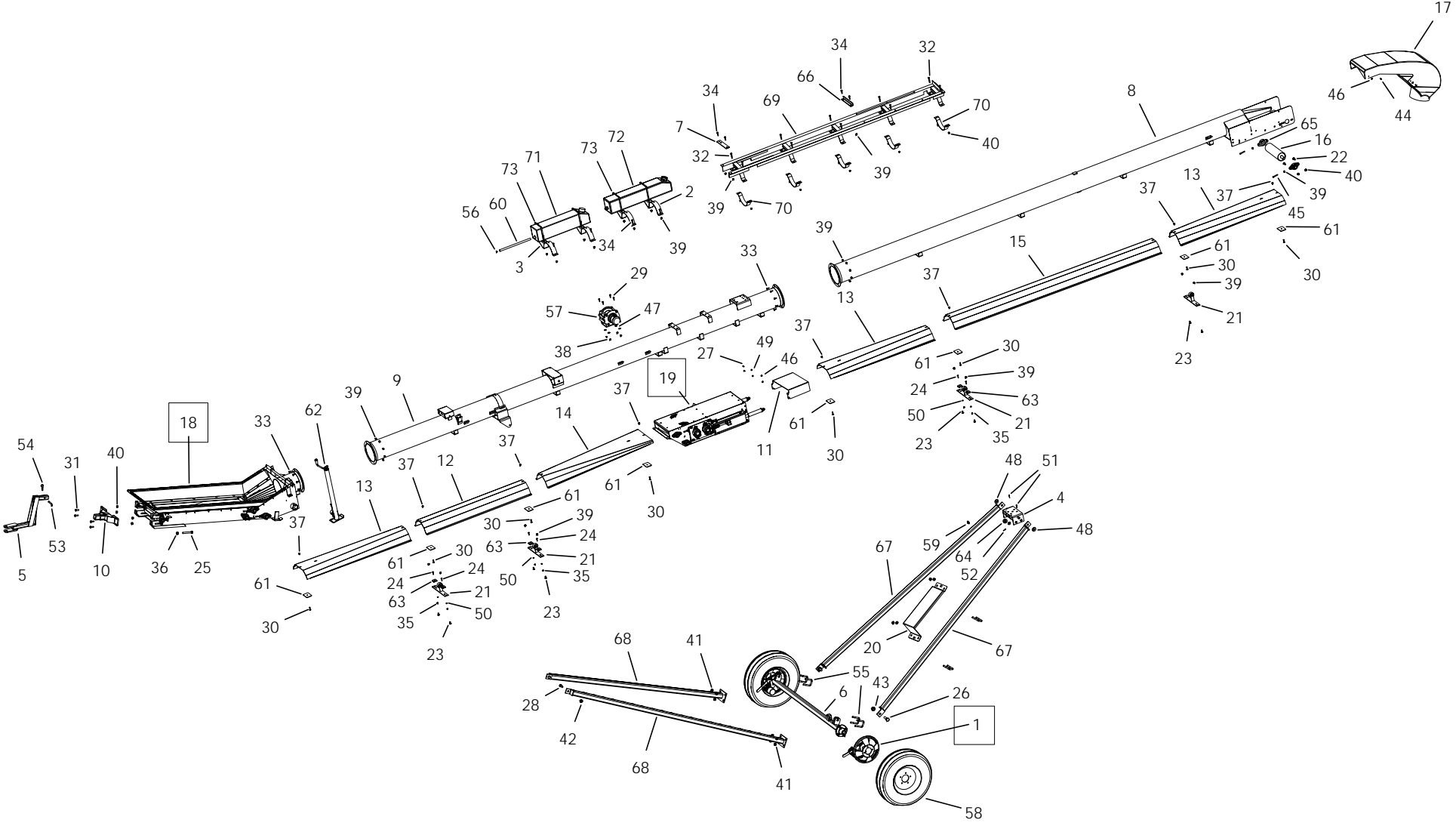
| ITEM | PART NO. | DESCRIPTION |
|------|-----------|--------------------------------------|
| 51 | 13060114 | ROCKER ARM SLEEVE |
| 52 | P0712114 | THROTTLE CONTROL 15' |
| 53 | P0712102 | CHOKE CABLE-15' LOCKING |
| 54 | P1031113 | ENGINE 26.5HP KOHLER IGNITION SWITCH |
| 55 | P1210033 | 501 SHAFT GUARD PLUG |
| 56 | P0951013 | BATTERY 420CCA |
| 57 | P0951021 | BATTERY CABLE-37" |
| 58 | P0134008 | LOCKNUT-NYLON-1/2" |
| 59 | P2513003P | INSPECTION STEP BI-MOUNT PAINTED |
| 60 | P0183003 | U-BOLT 2-1/2" X 2-1/2" (5/8) PLATED |
| 61 | P0151011 | FLAT WASHER 5/8" PLATED USS |
| 62 | P01340101 | LOCKNUT-NYLON-5/8" GRADE 8 |
| 63 | P0115214 | BOLT FLANGE 7/16" X 1" PLATED |
| 64 | P0134107 | LOCKNUT-TENSILOCK-7/16" |
| 65 | P0118033 | BOLT 1/4" X 3/4" GR8 PLATED |
| 66 | P0152004 | LOCK WASHER 1/4" PLATED |
| 67 | P0151006 | FLAT WASHER 1/4" PLATED USS |
| 68 | P0118017 | BOLT 1/2" X 2-1/2" GRADE 8 PLATED |
| 69 | P03210651 | BELT 2B65 BANDED |
| 70 | 13100028 | PIVOT HANDLE SHAFT |
| 71 | 13100035 | PIVOT HANDLE |
| 72 | P0321035 | BELT B35 |
| 73 | P0328055 | PULLEY-SNGL-BK-4"H |
| 74 | 13060104 | PUMP MOUNT -PINCH DRIVE |

WET KIT GAS (1559408X) - 45



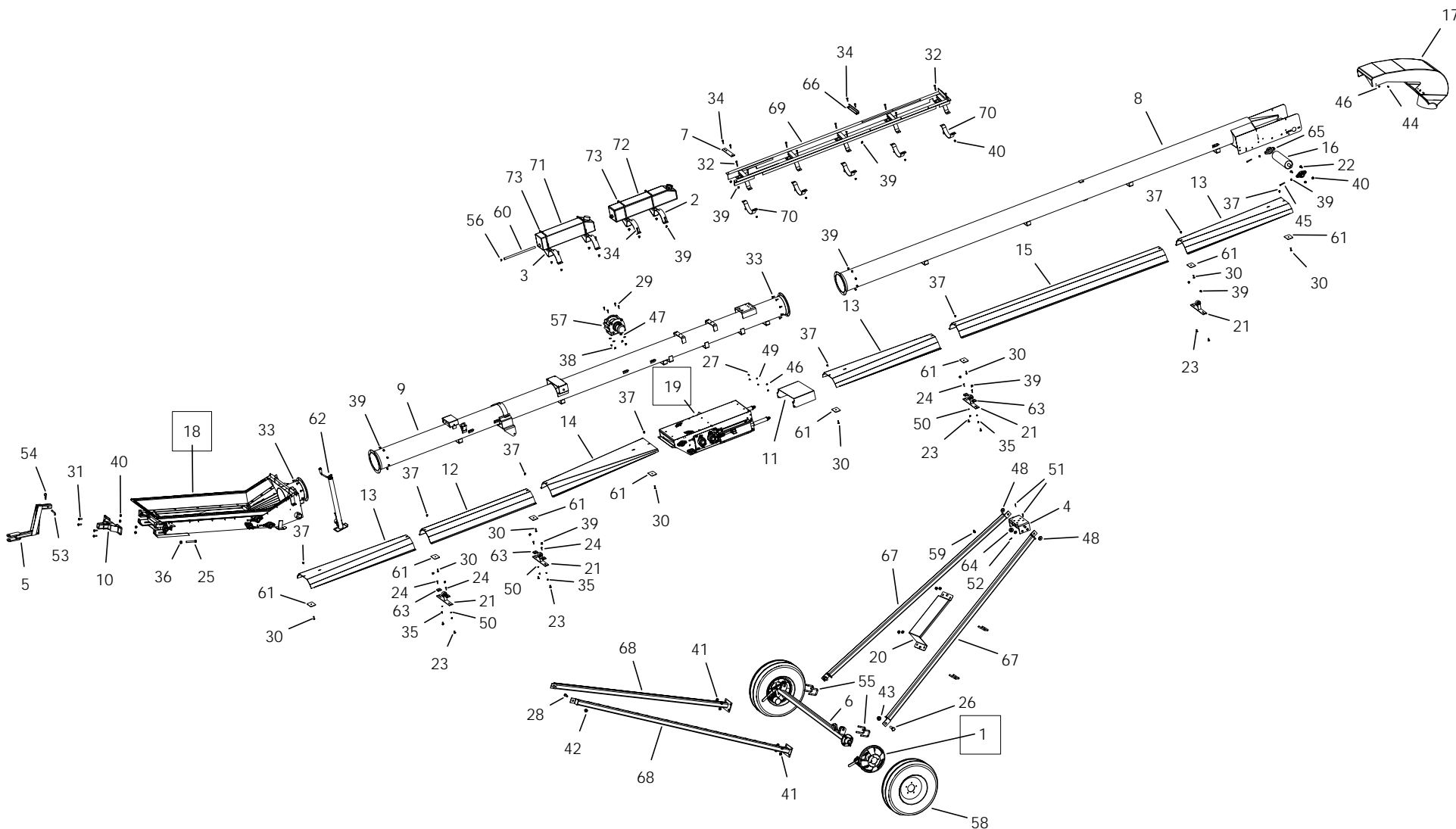
WET KIT GAS (1559408X) - 45

| ITEM | PART NO. | DESCRIPTION |
|------|--------------|-------------------------------------|
| 1 | 01010188 | HOSE 3/4(9')-HOSE-HOSE |
| 2 | 13011038 | PLASTIC TANK SIDE MOUNT W 2.5" CLAM |
| 3 | 13060104 | PUMP MOUNT -PINCH DRIVE |
| 4 | 13100028 | PIVOT HANDLE SHAFT |
| 5 | 13100035 | PIVOT HANDLE |
| 6 | P0113018 | CARRIAGE BOLT 3/8"X1 1/2"PLATED |
| 7 | P0118051 | BOLT 3/8" X 2-1/2" GR8 PLATED |
| 8 | P0118077 | BOLT 7/16"X1-1/2" GRADE 8 PLATED |
| 9 | P0134026 | LOCKNUT-NYLON-3/8" GRADE 8 |
| 10 | P0134007 | LOCKNUT-NYLON-7/16" |
| 11 | P0151009 | FLAT WASHER 3/8"PLATED USS |
| 12 | P0163010 | QUICK PIN 1/4X2-1/2 |
| 13 | P0184006 | HOSE CLAMP-3/4"(HS12) |
| 14 | P029900216 | GEAR CLAMP 32" |
| 15 | P0321035 | BELT B35 |
| 16 | P0328905 | PULLEY-4-1/2"X1-1/8" |
| 17 | P0328906 | PULLEY-4-1/2"X1/2" |
| 18 | P0820702 | HOSE BARB-10MORBX3/4"HOSE |
| 19 | P0821130 | SWIVEL-8 ORBX1/2"FPS |
| 20 | P0841033 | PUMP-SMALL |
| 20 | P0841033S | PUMP-0.375 CW/END PORTS SEAL |
| 21 | P029900052-3 | TANK, 22L, BLK W/FTG, CAP HOSE |



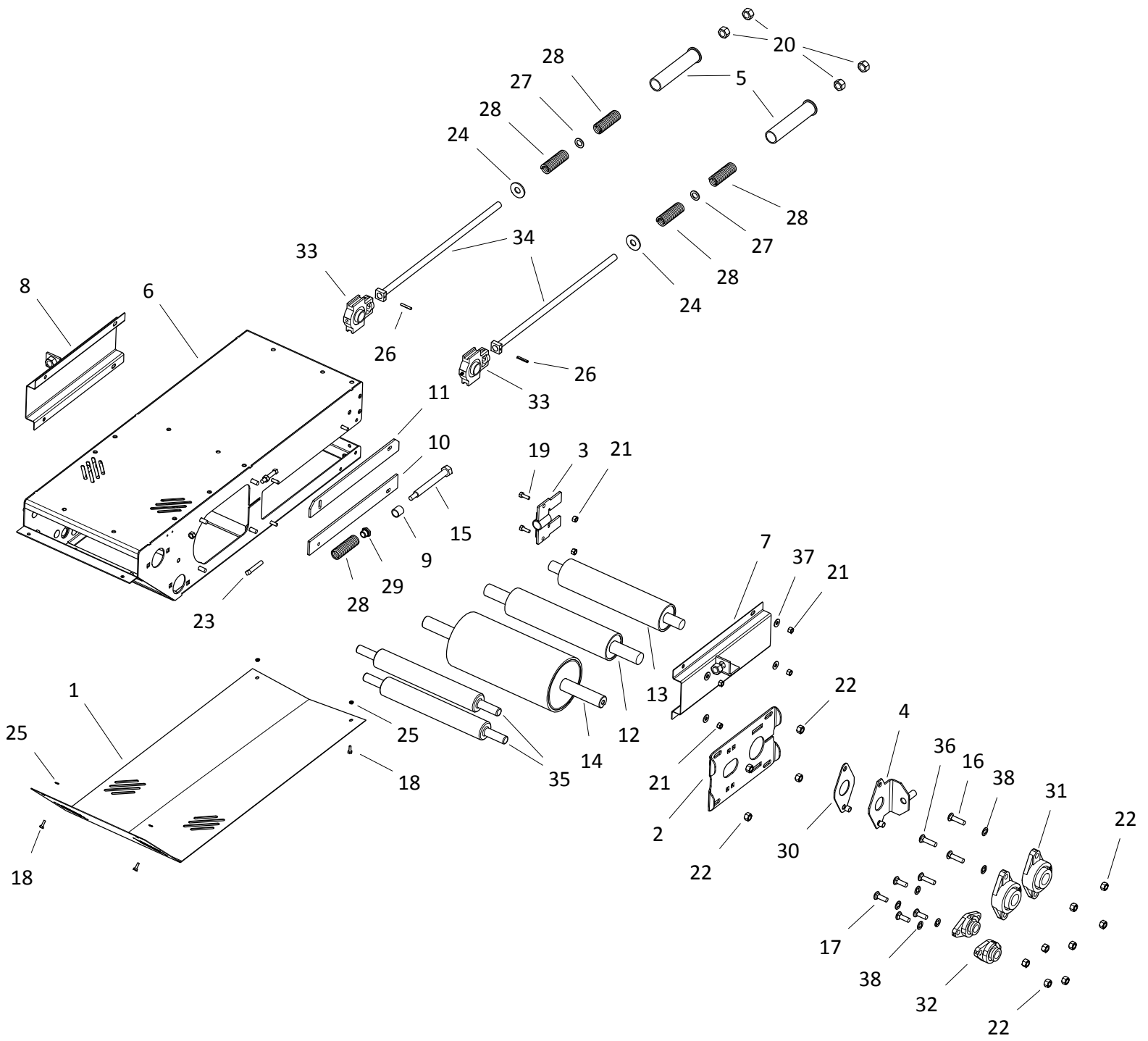
1545 FL FMD-15504525

| ITEM | PART NO. | DESCRIPTION |
|------|-----------|-------------------------------------|
| 1 | 13000139 | MOVER WHEEL MOVE DRIVE SYS.2.5 AXLE |
| 2 | 13011038 | PLASTIC TANK SIDE MOUNT W 2.5" CLAM |
| 3 | 13011039 | EXT. PLASTIC TANK SIDE MOUNT |
| 4 | 13030042 | 13/15 TRACK SLIDER |
| 5 | 13030096 | FL Z-DROP TONGUE |
| 6 | 13030100 | AXLE 30-45-2-1/2" (WITH 8 LUGS) |
| 7 | 13032094 | 35/45 SMALL CABLE ATTACH |
| 8 | 15020047 | SPOUT SECTION 20' W/RTRN MOUNTS |
| 9 | 15020062 | 1545FL CENTER - WELD ON BRKTS |
| 10 | 15030007 | HITCH FL (ONE PC) |
| 11 | 15040040 | PINCH DRIVE FRONT GUARD |
| 12 | 15042101 | WEATHER GUARD 5' - 61-1/2" |
| 13 | 15042102 | WEATHER GUARD 5' FLR - 61-1/2" |
| 14 | 15042103 | WEATHER GUARD 5' FLAT - 61-1/2" |
| 15 | 15042121 | WEATHER GUARD 10' - 121-1/2" |
| 16 | 15070009 | HOPPER/SPOUT ROLLER LAGGED |
| 17 | P1211501 | HOOD-ROUND 15 SERIES (KANBAN) |
| 18 | 15555540 | HOPPER RLLER KIT -FL |
| 19 | 15590020 | S-DRIVE ASM W/PINCH |
| 20 | P2513003 | INSPECTION STEP BI-MOUNT |
| 21 | 150100911 | WEATHER GUARD MOUNT BAR KIT-POLY |
| 22 | P0113004 | CARRIAGE BOLT 1/2"X1-1/2"PLATED |
| 23 | P0113013 | CARRIAGE BOLT 7/16"X1" PLATED |
| 24 | P0113020 | CARRIAGE BOLT 5/16"X1-1/2"PLATED |
| 24 | P0118077 | BOLT 7/16"X1-1/2" GRADE 8 PLATED |
| 25 | P0114006 | TAP BOLT 3/4 X 5 PLATED |
| 26 | P0118004 | BOLT 1" X 3" GR8 PLATED |
| 27 | P0118033 | BOLT 1/4" X 3/4" GR8 PLATED |
| 28 | P0115111 | BOLT 3/4" X 2" GR8 PLATED |
| 29 | P0115113 | BOLT 3/8" X 1-1/2" GR8 PLATED |
| 30 | P0115303 | CAPSCREW 3/8X1-1/4FLT HD SOCKET PTD |
| 31 | P0118013 | BOLT 1/2"X1 1/2" GR.8 PLATED |
| 32 | P0118017 | BOLT 1/2"X2-1/2"GRADE 8 PLATED |
| 33 | P0118076 | BOLT 7/16"X1" GRADE 8 PLATED |
| 35 | P0131017 | NUT 5/16" PLATED GRADE 8 |
| 36 | P0131019 | NUT 3/4" PLATED GRADE 8 |
| 37 | P0134026 | LOCKNUT-NYLON-3/8" GRADE 8 |
| 38 | P0134026 | LOCKNUT-NYLON-3/8" GRADE 8 |
| 39 | P0134007 | LOCKNUT-NYLON-7/16" |
| 40 | P0134008 | LOCKNUT-NYLON-1/2" |
| 41 | P01340101 | LOCKNUT-NYLON-5/8" GRADE 8 |
| 42 | P0134029 | LOCKNUT-NYLON-3/4" GRADE 8 |
| 43 | P0134030 | LOCKNUT-NYLON-1" GRADE 8 |
| 44 | P0141002 | TEK SCREW 1/4"X1" |
| 45 | P0145002 | SET SCREW-7/16"X2-1/2"SQ.HD. |
| 46 | P0151006 | FLAT WASHER 1/4"PLATED USS |



1545 FL FMD-15504525

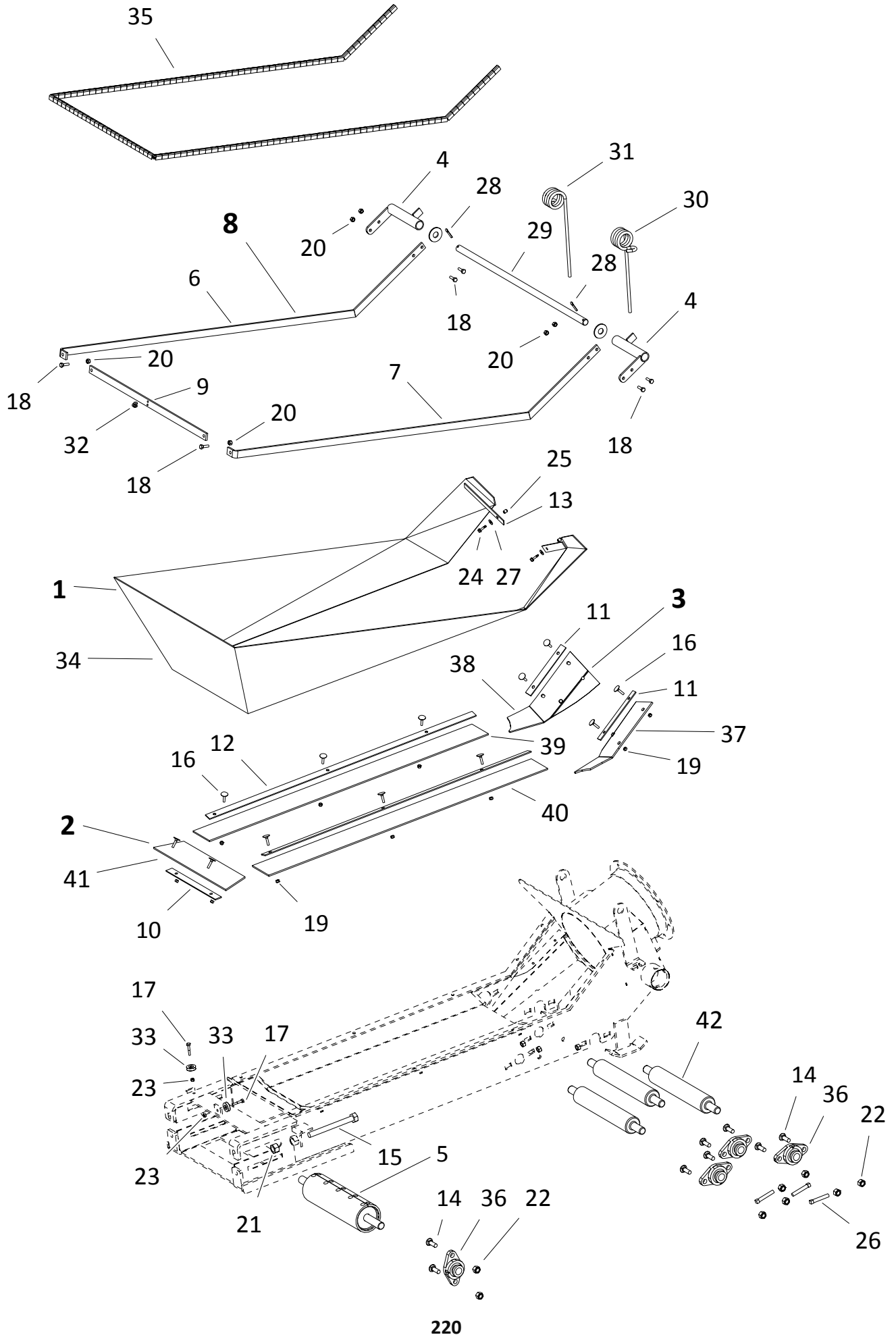
| ITEM | PART NO. | DESCRIPTION |
|------|--------------|-------------------------------------|
| 47 | P0151009 | FLAT WASHER 3/8"PLATED USS |
| 48 | P0151026 | FLAT WASHER 3/4"SAE |
| 49 | P0152004 | LOCK WASHER 1/4"PLATED |
| 50 | P0152010 | LOCK WASHER 5/16"PLATED |
| 51 | P0161001 | Cotter Pin 1/4 x 2 |
| 52 | P0161002 | COTTER PIN 5/32X1-1/2"PLATED |
| 53 | P0162001 | HITCH PIN 1/2" X 3" PLATED |
| 54 | P0163001 | HAIR PIN 3/16" X 3-1/4" |
| 55 | P0183003 | U-BOLT 2-1/2" X 2-1/2" (5/8) PLATED |
| 56 | P0184033 | WIRE HOSE CLAMP .500" |
| 57 | P0217634B | HYDRAULIC WINCH KIT |
| 58 | P0614301 | TIRE ASSEMBLY-15"X4.5"X4BOLT |
| 59 | P0712105 | CABLE CLAMP-5/16" GALV. |
| 60 | P0831008 | FUEL LINE-1/4"ID |
| 61 | P1010001 | UNI-MOUNT PLATE CAST |
| 62 | P1012009 | JACK-7000LB SQ.TUBE 25" EXT |
| 63 | P1210030 | BELT GUIDE BLOCK |
| 64 | P1211305 | ROLLER 2" NYLON |
| 65 | P1711001 | FLANGE UNIT-1-1/2"-SAFL208-24 |
| 66 | 13032125 | BOLT ON ANGLE |
| 67 | 13030053 | 1330TD/1335FL Upright Arms |
| 68 | 13030102 | AXLE ARM 30/35TD/45-2-1/2" |
| 69 | 13031019 | 55 TRACK |
| 70 | P2513202P | 2" U-CLAMP -PAINTED |
| 71 | P021200051 | GAS TANK W/CAP W/FITTING-22L |
| 72 | P029900052-3 | TANK, 22L, BLK W/FTG, CAP HOSE |
| 73 | P029900216 | GEAR CLAMP 32" |
| 74 | 15570452 | 1545FL 105' |
| 75 | P0711118 | CABLE-5/16" (26') |
| 76 | P1243001 | CABLE TIE 14" 120 LB |
| 77 | P2227989 | MANUAL HOLDER AND LID |
| 78 | P0712114 | THROTTLE CONTROL 15' |
| 79 | P0712102 | CHOKE CABLE-15' LOCKING |
| 80 | 15570452 | 1545FL 105' |



S-DRIVE (15590020)

| ITEM | PART NO. | DESCRIPTION |
|------|-----------|-------------------------------------|
| 1 | 15040001 | PINCH SD BOTTOM GUARD |
| 2 | 15060061 | SD COVER PLATE 6-1/2"ROLLER |
| 3 | 15060027 | S-DRIVE TENSION INDICATOR |
| 4 | 15060082 | PINCH TIGHTENER PLATE |
| 5 | 15060504 | PRETENSIONER 1550 |
| 6 | 15061045 | S-DRIVE PINCH |
| 7 | 15061046 | SIDE GUARD LH |
| 8 | 15061047 | SIDE GUARD RH |
| 9 | 15062010 | PINCH PIPE |
| 10 | 15062179 | S-DRIVE SLIDER BOLT PLATE - BOTTOM |
| 11 | 15062180 | S-DRIVE SLIDER BOLT PLATE - TOP |
| 12 | 15070019 | 3-1/2"TAKE-UP (PINCH) |
| 13 | 15070020 | 3-1/2"TAKE-UP 19.5"SHAFT |
| 14 | 15070030 | DRIVE ROLLER-6-1/2" W/EXT SHAFT |
| 15 | P0113000 | SPRING TENSION BOLT |
| 16 | P0113001 | CARRIAGE BOLT 1/2"X2" PLATED |
| 17 | P0113004 | CARRIAGE BOLT 1/2"X1-1/2"PLATED |
| 18 | P0118033 | BOLT 1/4" X 3/4" GR8 PLATED |
| 19 | P0118046 | BOLT 3/8" X 1" GR8 PLATED |
| 20 | P0131019 | NUT 3/4" PLATED GRADE 8 |
| 21 | P0134026 | LOCKNUT-NYLON-3/8" GRADE 8 |
| 22 | P0134008 | LOCKNUT-NYLON-1/2" |
| 23 | P0145004 | SET SCREW-7/16"X1-1/2"SQ.HD.PLATED |
| 24 | P0151015 | FLAT WASHER 3/4"PLATED USS |
| 25 | P0152004 | LOCK WASHER 1/4"PLATED |
| 26 | P0167001 | SPRING PIN 1/4" X 1-1/2" |
| 27 | P0351015 | MACHINERY BUSH 3/4"X1-1/4"-14G PTD. |
| 28 | P0511008 | SPRING-LD-1300 SERIES |
| 29 | P0820129 | BUSHING BRASS FLANGED |
| 30 | P1210102 | BELT TIGHTENER SLIDER PLATE FL208 |
| 31 | P1711001 | FLANGE UNIT-1-1/2"-SAFL208-24 |
| 32 | P1711004 | FLANGE UNIT-1"-SAFL205-16 |
| 33 | P1721001 | TAKE-UP UNIT-1-1/4"-T206-20 |
| 34 | P2515006 | 15 S-DRIVE TIGHTENER BOLT |
| 35 | P20315001 | S-DRIVE RETURN-1" ROLLER |
| 36 | P0113003 | CARRIAGE BOLT 1/2"X2-1/2"PLATED |
| 37 | P0151009 | FLAT WASHER 3/8"PLATED USS |
| 38 | P0151037 | FLAT WASHER 0.531 SQUARE-1.00-0.060 |

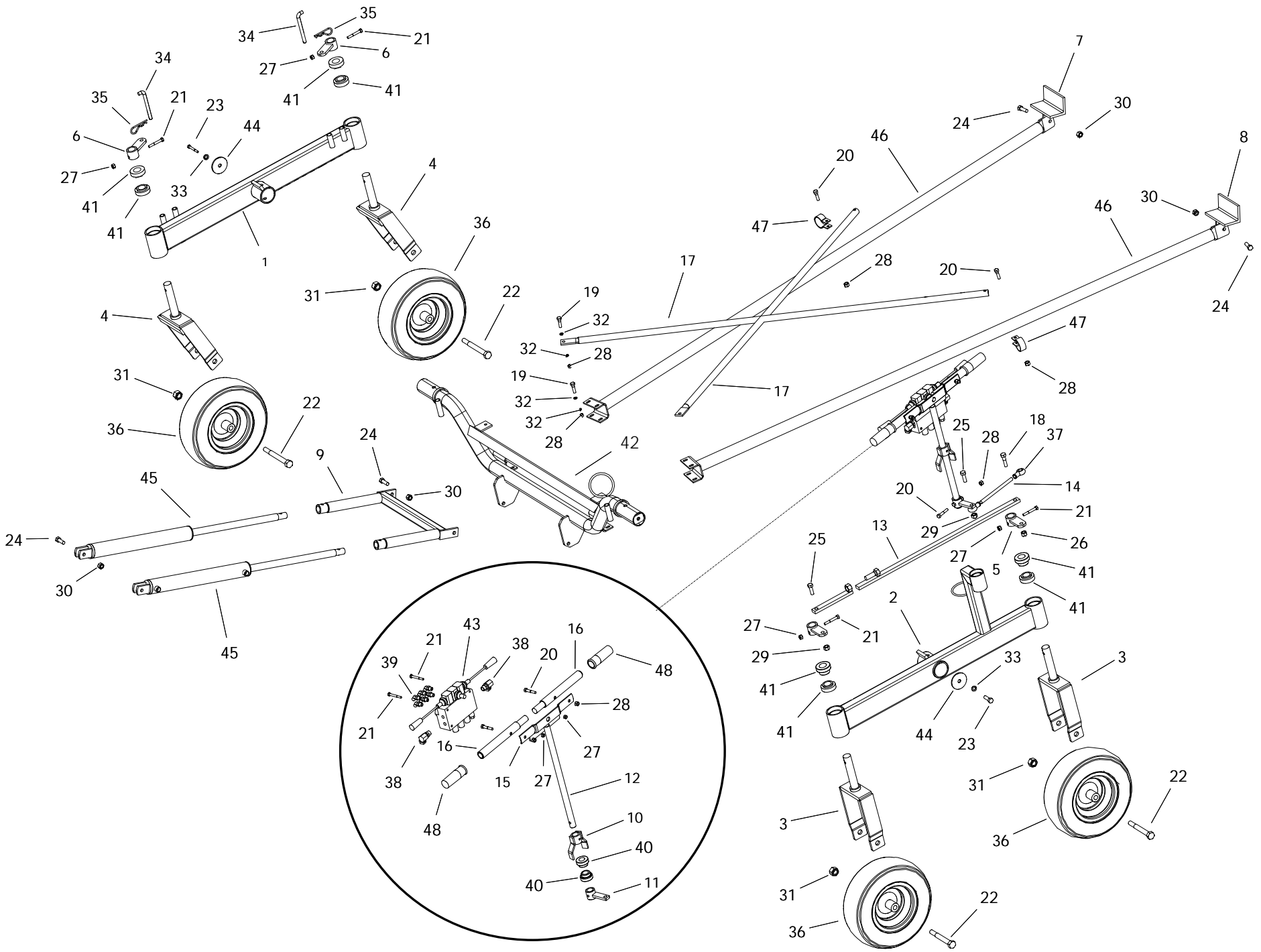
HOPPER (15000303P)



HOPPER (15000303P)

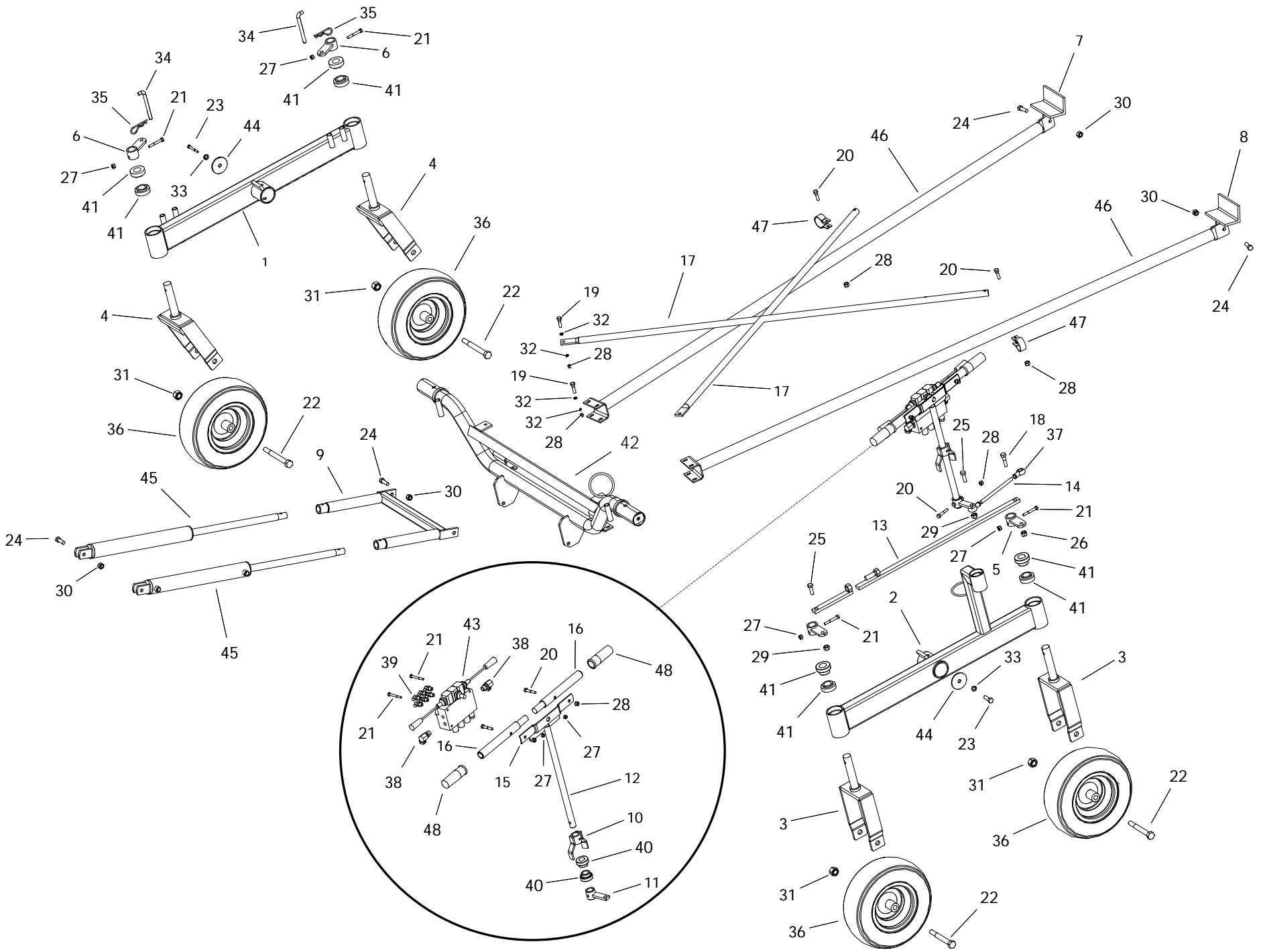
| ITEM | PART NO. | DESCRIPTION |
|------|-----------|----------------------------------|
| 1 | 15000303P | HOPPER -COLLAPSABLE 1515 |
| 2 | 15000307P | HOPPER LINER KIT 1515LP |
| 3 | 15000308P | HOPPER -FLASHING ONLY 1515LP |
| 4 | 15050010 | PIVOT SHAFT RIGHT |
| 5 | 15070012 | TAKE-UP ROLLER-1-1/4" LAGGED |
| 6 | 15100001 | UPPER CLOTH FRAME TR RIGHT |
| 7 | 15100002 | UPPER CLOTH FRAME TR LEFT |
| 8 | 15100021 | HOPPER CLOTH FRAME-UPPER 1515LP |
| 9 | 15102052 | UPPER CLOTH FRAME TR FRONT |
| 10 | 15102058 | LOWER CLOTH FRAME TR FRONT |
| 11 | 15102059 | LOWER CLOTH FRAME TR TRANSITION |
| 12 | 15102060 | LOWER CLOTH FRAME TR SIDE |
| 13 | 15102061 | LOWER CLOTH FRAME TR BACK |
| 14 | P0113004 | CARRIAGE BOLT 1/2"X1-1/2"PLATED |
| 15 | P0114007 | TAP BOLT 3/4 X 7 PLATED |
| 16 | P0116001 | ELEVATOR BOLT 1/4"X1-1/4" |
| 17 | P0118026 | BOLT 1/4" X 1-1/2" GR8 PLATED |
| 18 | P0118061 | BOLT 5/16" X 1" GR8 PLATED |
| 19 | P0131016 | NUT 1/4" PLATED GRADE 8 |
| 20 | P0131017 | NUT 5/16" PLATED GRADE 8 |
| 21 | P0131112 | NUT 3/4"PLATED |
| 22 | P0134008 | LOCKNUT-NYLON-1/2" |
| 23 | P0134023 | LOCKNUT-NYLON-1/4" GR8 |
| 24 | P0141002 | TEK SCREW 1/4"X1" |
| 25 | P0145001 | VINYL SCREW CAP |
| 26 | P0145002 | SET SCREW-7/16"X2-1/2"SQ.HD. |
| 27 | P0151006 | FLAT WASHER 1/4"PLATED USS |
| 28 | P0161003 | COTTER PIN 3/16"X1-1/2"PLATED |
| 29 | P0162007 | HOPPER PIVOT SHAFT-13/15 |
| 30 | P0521001 | HOPPER SPRING-L |
| 31 | P0521002 | HOPPER SPRING-R |
| 32 | P0712104 | CABLE CLAMP-1/8" GALV. |
| 33 | P0713104 | CABLE SHEAVE-1-1/4" W/BEARING |
| 34 | P1621010 | HOPPER CANVAS 1515LP |
| 35 | P1641015 | TRIM LOCK |
| 36 | P1711002 | FLANGE UNIT-1-1/4"-SAFL206-20 |
| 37 | P19159010 | TRANSITION FLASHING LEFT 15S FL |
| 38 | P19159011 | TRANSITION FLASHING RIGHT 15S FL |
| 39 | P19159008 | FL HOPPER FLASHING LH |
| 40 | P19159009 | FL HOPPER FLASHING RH |
| 41 | P19159012 | FRONT HOPPER FLASHING |
| 42 | P20315002 | TRANSITION ROLLER |

WHEEL MOVE



WHEEL MOVE

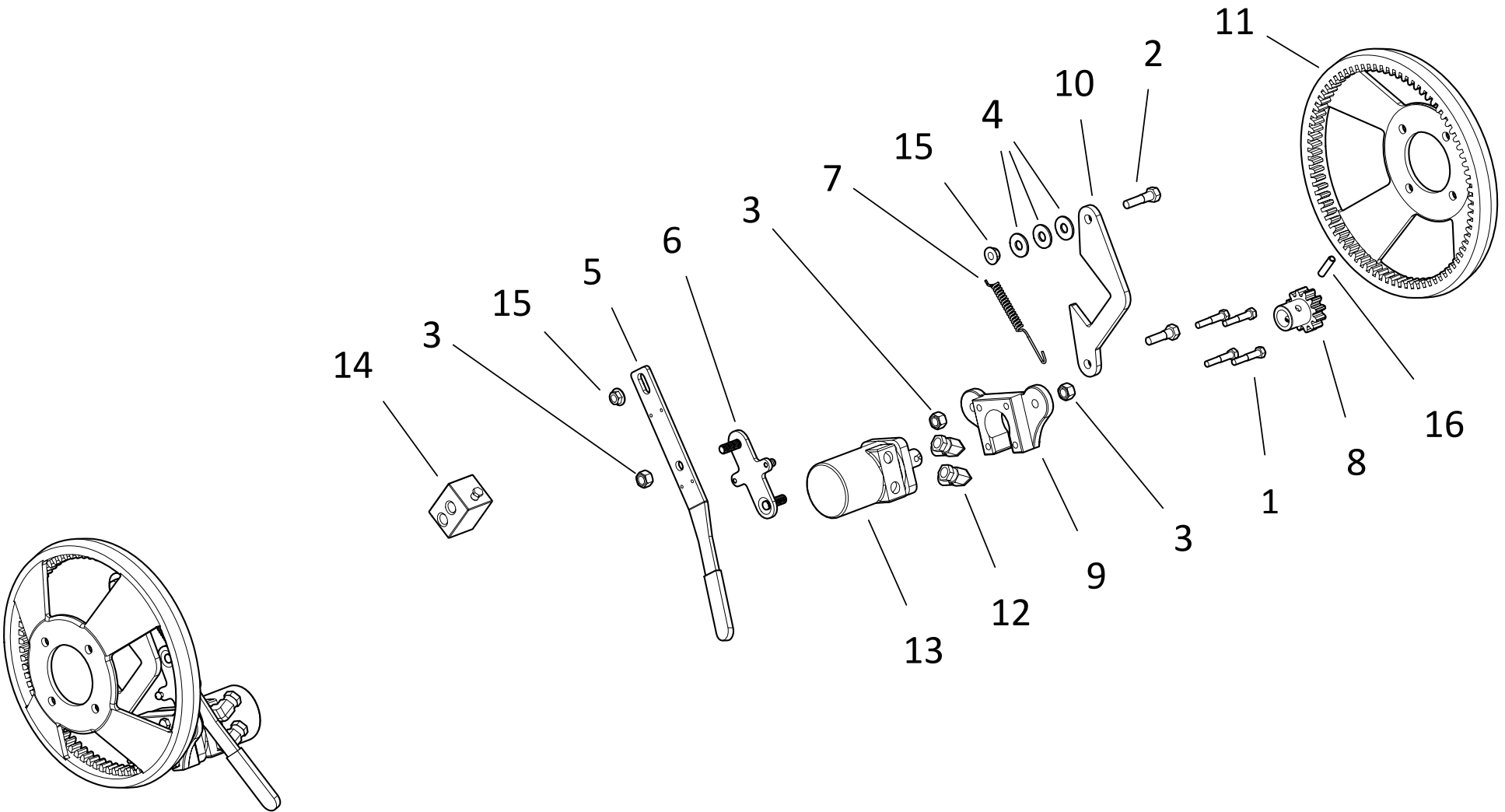
| ITEM | PART NO. | DESCRIPTION |
|------|----------------|-------------------------------------|
| 1 | 13120003 | WALKING BEAM |
| 2 | 13120004 | WALKING BEAM-STEERING |
| 3 | 13120005 | FORK-STRAIGHT |
| 4 | 13120006 | FORK-ANGLED |
| 5 | 13120007 | STEERING PIPE |
| 6 | 13120008 | LOCKING PIPE |
| 7 | 13120012 | WHEEL MOVE AXLE TAB RIGHT 35/45 |
| 8 | 13120013 | WHEEL MOVE AXLE TAB LEFT 35/45 |
| 9 | 13120016 | DOUBLE RAM EXTENSION 35/45 FL |
| 10 | 13120023 | STEERING STOP |
| 11 | 13120024 | HD CASTOR RETAINER C/W YOKE LINK AR |
| 12 | 13120125 | STEERING WELDMENT |
| 13 | 13122023 | STEERING LINK ARM |
| 14 | 13122076 | LINKAGE - THREADED 1/2X8 ROD |
| 15 | 13122078 | HANDLE JOINT |
| 16 | 13122087 | WM STEERING HANDLE PIPE |
| 17 | 15122031 | 71 CROSS BRACE PIPE |
| 18 | P0118029 | BOLT 1/4" X 2" GR8 PLATED |
| 19 | P0115113 | BOLT 3/8" X 1-1/2" GR8 PLATED |
| 20 | P0118050 | BOLT 3/8" X 2" GR8 PLATED |
| 21 | P0118063 | BOLT 5/16" X 2-1/2" GR8 PLATED |
| 22 | P0118133 | BOLT 3/4" X 7" GR8 PLATED |
| 23 | P0118013 | BOLT 1/2"X1 1/2" GR.8 PLATED |
| 24 | P0118016 | BOLT 1/2" X 2" GR8 PLATED |
| 25 | P0118077 | BOLT 7/16"X1-1/2" GRADE 8 PLATED |
| 26 | P0134023 | LOCKNUT-NYLON-1/4" GR8 |
| 27 | P0134027 | LOCKNUT-NYLON-5/16" GRADE 8 |
| 28 | P0134026 | LOCKNUT-NYLON-3/8" GRADE 8 |
| 29 | P0134007 | LOCKNUT-NYLON-7/16" |
| 30 | P0134008 | LOCKNUT-NYLON-1/2" |
| 31 | P0134029 | LOCKNUT-NYLON-3/4" GRADE 8 |
| 32 | P0151009 | FLAT WASHER 3/8"PLATED USS |
| 33 | P0152008 | LOCK WASHER 1/2"PLATED |
| 34 | P0162004 | HITCH PIN 1/2" X 5" PLATED |
| 35 | P0163001 | HAIR PIN 3/16" X 3-1/4" |
| 36 | P0614306 | TIRE & RIM 480X8 LRC |
| 37 | P0631010 | TIE ROD END BALL JOINT |
| 38 | P0820010 | SWIVEL-8MORBX1/2"FPT/90D |
| 39 | P0820611 | ELBOW-6 ORBX3/8"JIC M 45 |
| 40 | P1742001 | BEARING-1"(SAA205-16) |
| 41 | P1742002 | BEARING-1-1/4" |
| 42 | P2214123 | WHEEL FRAME ASSEMBLY COMPLETE |
| 43 | P08610091 | VALVE-3 SPL-W/2 HANDLES |
| 44 | P11130185 | AXLE END CAP |
| 45 | P020200308 | HYDRAULIC CYLINDER |
| 46 | P020200319-101 | TRANSPORT FRAME PIPE-101" |



WHEEL MOVE

| ITEM | PART NO. | DESCRIPTION |
|------|------------|------------------------|
| 47 | P020200321 | CROSS BRACE CLAMP BAND |
| 48 | P020200344 | HANDLE GRIP 1-1/4" |

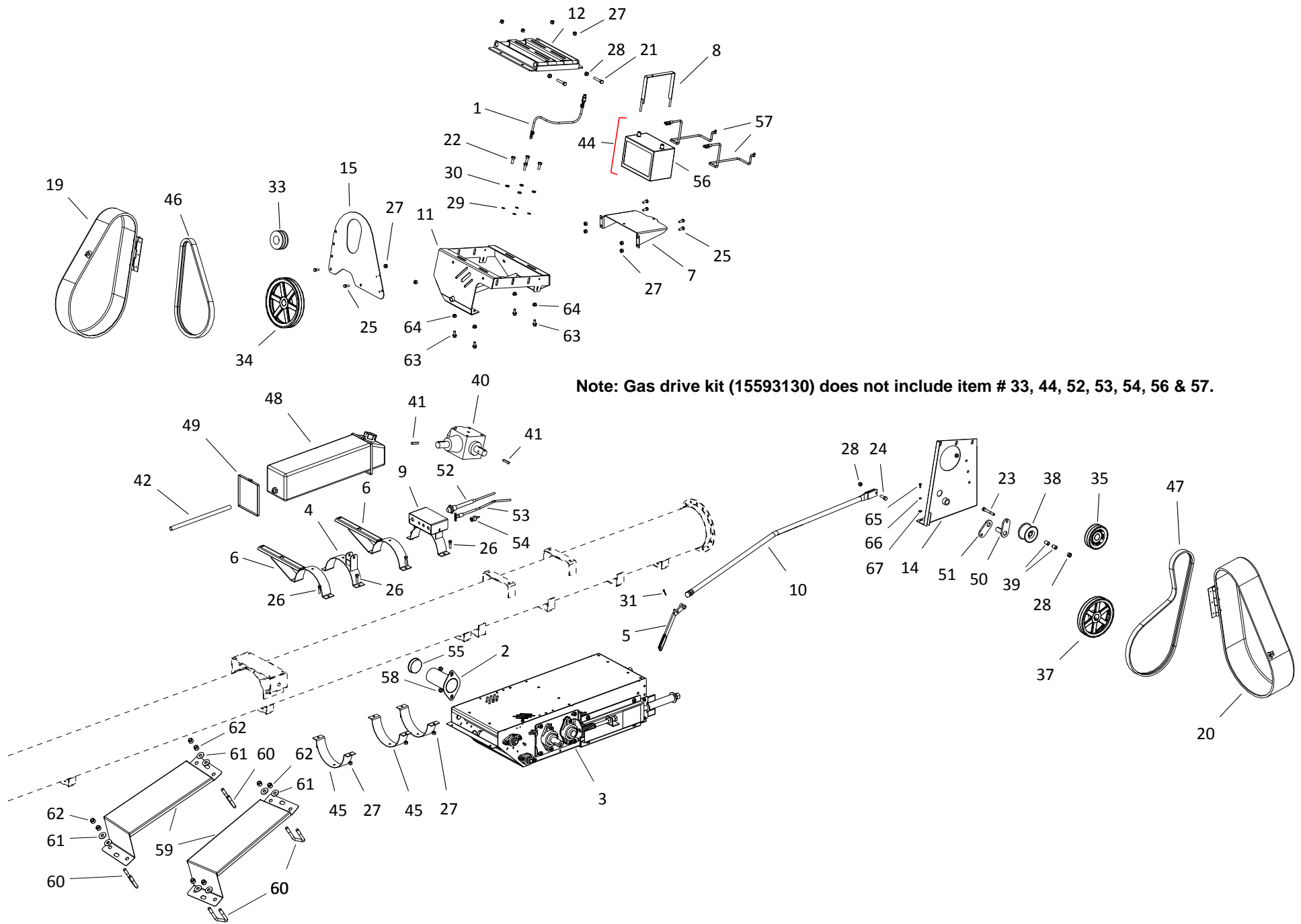
WHEEL MOVE DRIVE SYSTEM (13000139)



WHEEL MOVE DRIVE SYSTEM (13000139)

| ITEM | PART NO. | DESCRIPTION |
|------|-------------|------------------------------------|
| 1 | P0118050 | BOLT 3/8" X 2" GR8 PLATED |
| 2 | P0118016 | BOLT 1/2" X 2" GR8 PLATED |
| 3 | P0134008 | LOCKNUT-NYLON-1/2" |
| 4 | P0151029 | FLAT WASHER 1/2"PLATED USS |
| 5 | P020200007 | HANDLE WITH GRIP |
| 6 | 15121033 | PAINTED HANDLE LINK ARM |
| 7 | P020200009 | HANDLE SPRING |
| 8 | P020200333 | PINION GEAR-1"ID 3/8"HOLE |
| 9 | P020200338A | MOTOR ARM -EYEGLOSS PIECE, DRILLED |
| 10 | P020200340 | AXLE CAP FOR O/CENTER UNPAINTED |
| 11 | P0615315 | RING GEAR - 4 BOLT C/W MOUNT PLATE |
| 12 | P0820013 | SWIVEL-1/2MX3/8F90 |
| 13 | P0841012 | HYD MOTOR-6.3 (5.9H) RS-1/2" HOLE |
| 14 | P0861201 | CUSHION BLOCK, COMPLETE |
| 15 | P0134108 | LOCKNUT-TENSILOCK-1/2" |
| 16 | P0167101 | ROLL PIN SLOTTED 3/8" X 1-1/2" |
| 17 | P0821127 | SWIVEL-3/8"-STR. |
| 18 | P0163011 | HAIR PIN 5/32X2-15/16 (66326) |
| 19 | P0113004 | CARRIAGE BOLT 1/2"X1-1/2"PLATED |

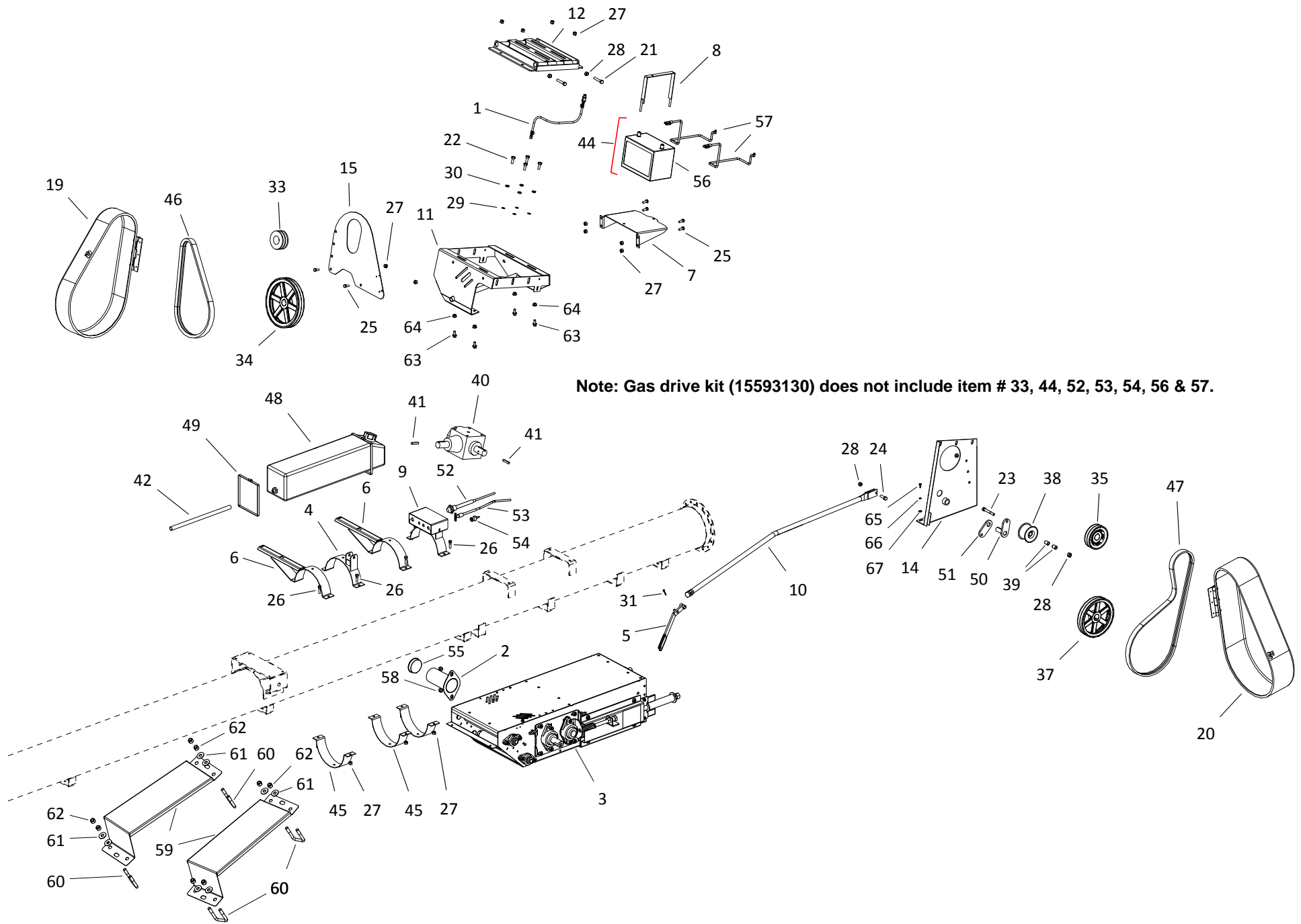
1545FL GAS DIRECT DRIVE KIT (15593130)



1545FL GAS DIRECT DRIVE KIT (15593130)

| ITEM | PART NO. | DESCRIPTION |
|------|------------|-------------------------------------|
| 1 | 01010003 | BREATHER DIRECT DRIVE |
| 2 | 24041038 | SHAFT GUARD(FL-210) |
| 3 | 15590020 | S-DRIVE ASM W/PINCH |
| 4 | 13010048 | MOTOR MT OVERCENTER ANCHOR BKT |
| 5 | 13010054 | MOTOR MT OVERCENTER HANDLE |
| 6 | 13011038 | PLASTIC TANK SIDE MOUNT W 2.5" CLAM |
| 7 | 13012108 | MOTOR MOUNT BATTERY MOUNT |
| 8 | 13060054 | BATTERY CLAMP |
| 9 | 13060080 | DIRECT DRV CONTROL BOX |
| 10 | 13060084 | A-FRAME OVERCENTER PULLROD |
| 11 | 13060102 | MOTOR MOUNT |
| 12 | 13060103 | SLIDER MOUNT |
| 14 | 13060105 | MOTOR MOUNT BACK PLATE |
| 15 | 13060107 | ENGINE GUARD BACK |
| 19 | 15040055 | PINCH GUARD SMALL ASSEMBLED |
| 20 | 15040056 | PINCH GUARD MED ASSEMBLED |
| 21 | P0114005 | TAP BOLT 1/2 X 2-1/2 GR.8 PLATED |
| 22 | P0118020 | BOLT 1/2" X 1-1/4" GR8 PLATED |
| 23 | P0118019 | BOLT 1/2" X 3-1/2" GR8 PLATED |
| 24 | P0118013 | BOLT 1/2"X1 1/2" GR.8 PLATED |
| 25 | P0118076 | BOLT 7/16"X1" GRADE 8 PLATED |
| 26 | P0118077 | BOLT 7/16"X1-1/2" GRADE 8 PLATED |
| 27 | P0134007 | LOCKNUT-NYLON-7/16" |
| 28 | P0134008 | LOCKNUT-NYLON-1/2" |
| 29 | P0151029 | FLAT WASHER 1/2"PLATED USS |
| 30 | P0152008 | LOCK WASHER 1/2"PLATED |
| 31 | P0161003 | COTTER PIN 3/16"X1-1/2"PLATED |
| 32 | P0321035 | BELT B35 |
| 33 | P0328018 | PULLEY-DBL-BK-4"H |
| 34 | P0328024 | PULLEY-DBL-12" W/1-1/2"BORE |
| 35 | P0328025 | PULLEY-DBL-6" W/1-1/2"BORE |
| 37 | P0328062 | PULLEY-DBL-10" W/1-1/2"BORE |
| 38 | P0328910 | IDLER-FLAT-4"TRPL 2-7/16"WIDE |
| 39 | P0351019 | DNR-BUSHING 3/4"ODX1/2"IDX1"BRONZE |
| 40 | 15591001 | GBOX 90 2:1 CW/CW 1-1/2 4190 W/OIL |
| 41 | P0391002 | KEY 3/8" X 2" LONG |
| 42 | P0831008 | FUEL LINE-1/4"ID |
| 44 | 13000260 | BATTERY AND CABLE PKG. |
| 45 | P2219801P | U-CLAMP HANGER-10"X2-1/2"-BLACK |
| 46 | P03210531 | BELT 2B53 BANDED |
| 47 | P03210651 | BELT 2B65 BANDED |
| 48 | P021200051 | GAS TANK W/CAP W/FITTING-22L |
| 49 | P029900216 | GEAR CLAMP 32" |
| 50 | 13060113 | ROCKER ARM PIVOT SHAFT |
| 51 | 13060114 | ROCKER ARM SLEEVE |
| 52 | P0712114 | THROTTLE CONTROL 15' |

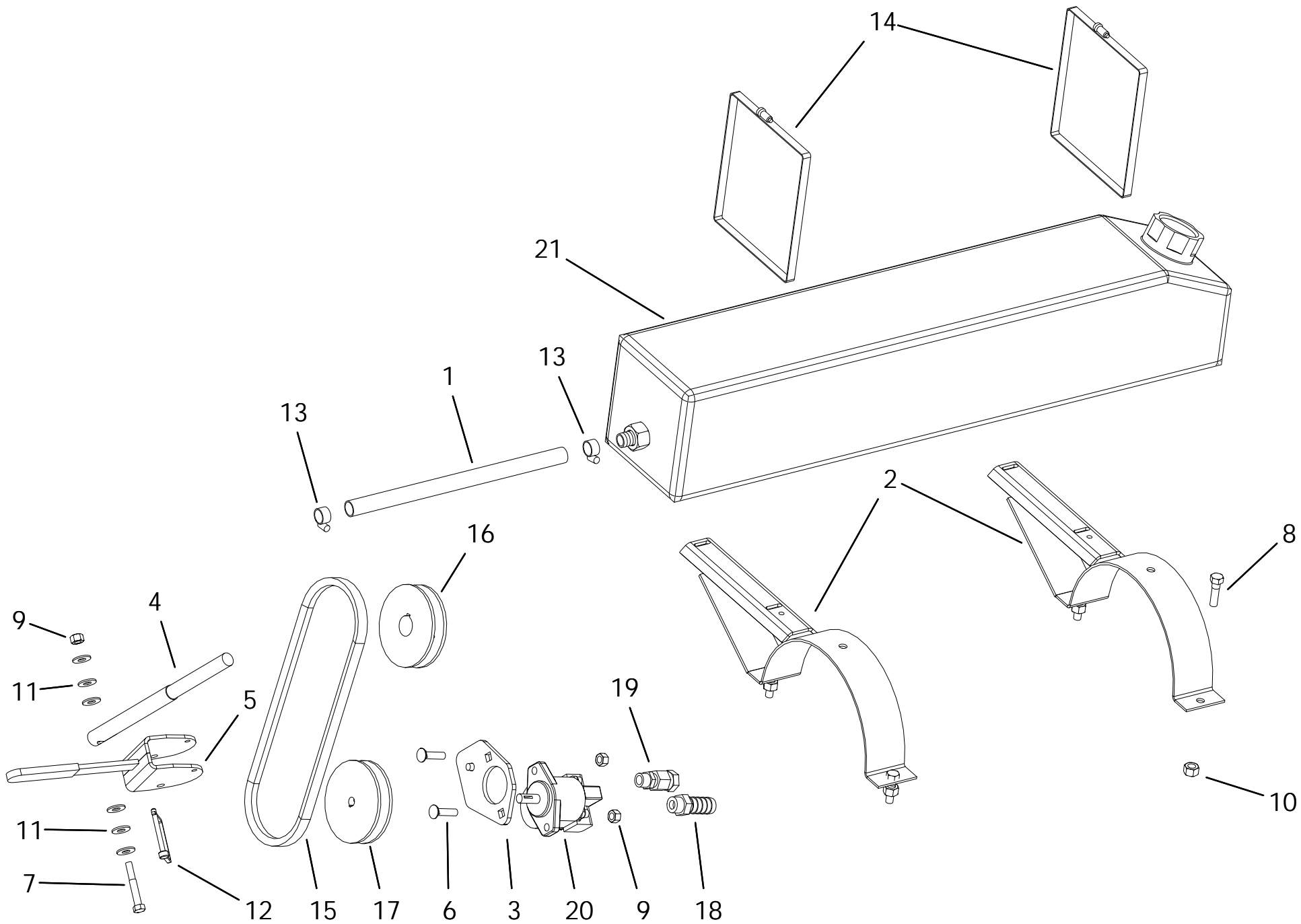
1545FL GAS DIRECT DRIVE KIT (15593130)



1545FL GAS DIRECT DRIVE KIT (15593130)

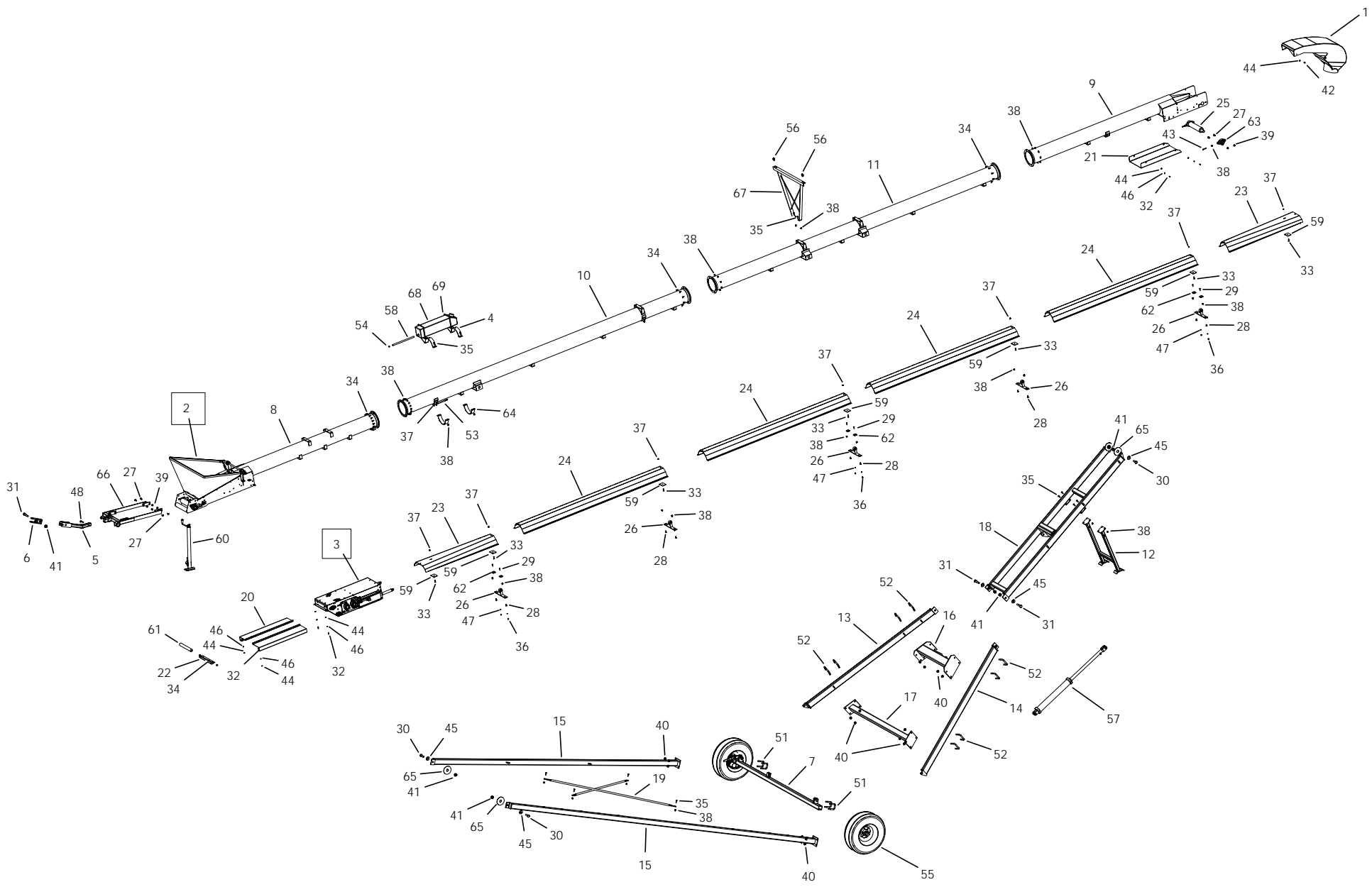
| ITEM | PART NO. | DESCRIPTION |
|------|-----------|--------------------------------------|
| 53 | P0712102 | CHOKE CABLE-15' LOCKING |
| 54 | P1031113 | ENGINE 26.5HP KOHLER IGNITION SWITCH |
| 55 | P1210033 | 501 SHAFT GUARD PLUG |
| 56 | P0951013 | BATTERY 420CCA |
| 57 | P0951021 | BATTERY CABLE-37" |
| 58 | P0134008 | LOCKNUT-NYLON-1/2" |
| 59 | P2513003P | INSPECTION STEP BI-MOUNT PAINTED |
| 60 | P0183003 | U-BOLT 2-1/2" X 2-1/2" (5/8) PLATED |
| 61 | P0151011 | FLAT WASHER 5/8" PLATED USS |
| 62 | P01340101 | LOCKNUT-NYLON-5/8" GRADE 8 |
| 63 | P0115214 | BOLT FLANGE 7/16" X 1" PLATED |
| 64 | P0134107 | LOCKNUT-TENSILOCK-7/16" |
| 65 | P0118033 | BOLT 1/4" X 3/4" GR8 PLATED |
| 66 | P0152004 | LOCK WASHER 1/4" PLATED |
| 67 | P0151006 | FLAT WASHER 1/4" PLATED USS |

WET KIT GAS (1559408X) - 45



WET KIT GAS (1559408X) - 45

| ITEM | PART NO. | DESCRIPTION |
|------|--------------|-------------------------------------|
| 1 | 01010188 | HOSE 3/4(9')-HOSE-HOSE |
| 2 | 13011038 | PLASTIC TANK SIDE MOUNT W 2.5" CLAM |
| 3 | 13060104 | PUMP MOUNT -PINCH DRIVE |
| 4 | 13100028 | PIVOT HANDLE SHAFT |
| 5 | 13100035 | PIVOT HANDLE |
| 6 | P0113018 | CARRIAGE BOLT 3/8"X1 1/2"PLATED |
| 7 | P0118051 | BOLT 3/8" X 2-1/2" GR8 PLATED |
| 8 | P0118077 | BOLT 7/16"X1-1/2" GRADE 8 PLATED |
| 9 | P0134026 | LOCKNUT-NYLON-3/8" GRADE 8 |
| 10 | P0134007 | LOCKNUT-NYLON-7/16" |
| 11 | P0151009 | FLAT WASHER 3/8"PLATED USS |
| 12 | P0163010 | QUICK PIN 1/4X2-1/2 |
| 13 | P0184006 | HOSE CLAMP-3/4"(HS12) |
| 14 | P029900216 | GEAR CLAMP 32" |
| 15 | P0321035 | BELT B35 |
| 16 | P0328905 | PULLEY-4-1/2"X1-1/8" |
| 17 | P0328906 | PULLEY-4-1/2"X1/2" |
| 18 | P0820702 | HOSE BARB-10MORBX3/4"HOSE |
| 19 | P0821130 | SWIVEL-8 ORBX1/2"FPS |
| 20 | P0841033 | PUMP-SMALL |
| 20 | P0841033S | PUMP-0.375 CW/END PORTS SEAL |
| 21 | P029900052-3 | TANK, 22L, BLK W/FTG, CAP HOSE |

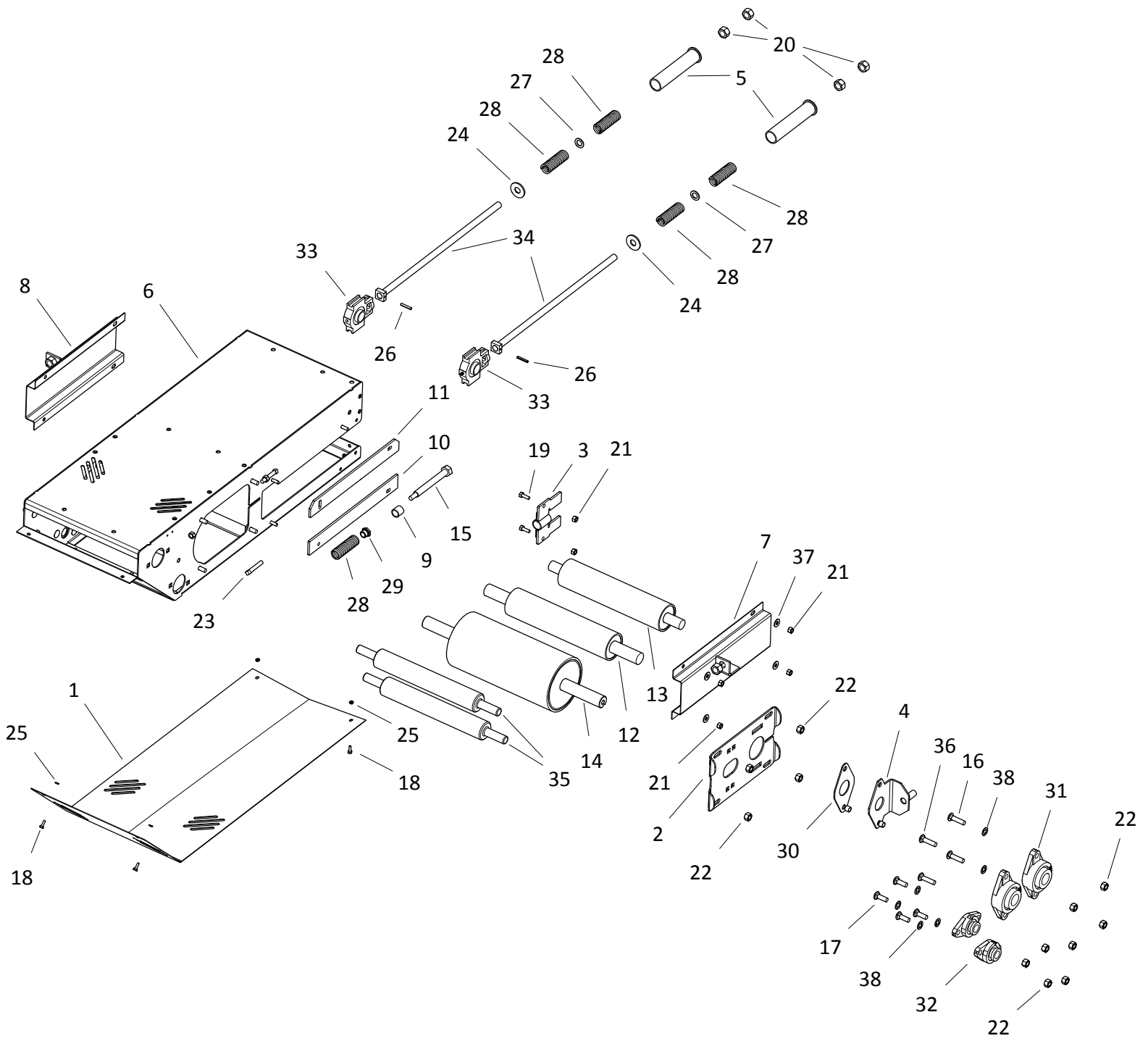


1565 FMD-15506515

| ITEM | PART NO. | DESCRIPTION |
|------|-----------|-------------------------------------|
| 1 | P1211501 | HOOD-ROUND 15 SERIES (KANBAN) |
| 2 | 15000304P | HOPPER -COLLAPSABLE STD |
| 3 | 15590020 | S-DRIVE ASM W/PINCH |
| 4 | 13011038 | PLASTIC TANK SIDE MOUNT W 2.5" CLAM |
| 5 | 13030016 | Tongue |
| 6 | 13030017 | CLEVIS |
| 7 | 13030105 | 1365-85 Axle (6 bolt) |
| 8 | 15020040 | BT HOPPER SECTION 10' WITH SD BKTS |
| 9 | 15020045 | SPOUT SECTION 10' W/CABLE RTRN BKT |
| 10 | 15020051 | BOTTOM TUBE WITH ANCHORS |
| 11 | 15020052 | SUSPENSION BRACKET TUBE |
| 12 | 15031001 | 65/75 TRANSPORT BRACE |
| 13 | 15031029 | 65/75 LIFT ARM LEFT |
| 14 | 15031030 | 65/75 LIFT ARM RIGHT |
| 15 | 15031032 | 65/75 AXLE ARM |
| 16 | 15031035 | 65/75 UPPER LIFT ARM BRACE |
| 17 | 15031036 | 65/75 LOWER LIFT ARM BRACE |
| 18 | 15031037 | 65/75 LADDER |
| 19 | 15032030 | CROSS BRACE |
| 20 | 15042040 | SD-HOPPER BELT GUARD |
| 21 | 15042093 | SPOUT BOTTOM COVER |
| 22 | 15042094 | HOPPER GUARD BRACKET |
| 23 | 15042102 | WEATHER GUARD 5' FLR - 61-1/2" |
| 24 | 15042121 | WEATHER GUARD 10' - 121-1/2" |
| 25 | 15070009 | HOPPER/SPOUT ROLLER LAGGED |
| 26 | 150100911 | WEATHER GUARD MOUNT BAR KIT-POLY |
| 27 | P0113004 | CARRIAGE BOLT 1/2"X1-1/2"PLATED |
| 28 | P0113013 | CARRIAGE BOLT 7/16"X1" PLATED |
| 29 | P0113020 | CARRIAGE BOLT 5/16"X1-1/2"PLATED |
| 30 | P0118004 | BOLT 1" X 3" GR8 PLATED |
| 31 | 0118007 | BOLT 1" X 4-1/2" GR8 PLATED |
| 32 | P0118033 | BOLT 1/4" X 3/4" GR8 PLATED |
| 33 | P0115303 | CAPSCREW 3/8X1-1/4FLT HD SOCKET PTD |
| 34 | P0118076 | BOLT 7/16"X1" GRADE 8 PLATED |
| 35 | P0118077 | BOLT 7/16"X1-1/2" GRADE 8 PLATED |
| 36 | P0131017 | NUT 5/16" PLATED GRADE 8 |
| 37 | P0134026 | LOCKNUT-NYLON-3/8" GRADE 8 |
| 38 | P0134007 | LOCKNUT-NYLON-7/16" |
| 39 | P0134008 | LOCKNUT-NYLON-1/2" |
| 40 | P0134029 | LOCKNUT-NYLON-3/4" GRADE 8 |
| 41 | P0134030 | LOCKNUT-NYLON-1" GRADE 8 |
| 42 | P0141002 | TEK SCREW 1/4"X1" |
| 43 | P0145002 | SET SCREW-7/16"X2-1/2"SQ.HD. |
| 44 | P0151006 | FLAT WASHER 1/4"PLATED USS |
| 45 | P0151031 | FLAT WASHER 1"PLATED USS |
| 46 | P0152004 | LOCK WASHER 1/4"PLATED |

1565 FMD-15506515

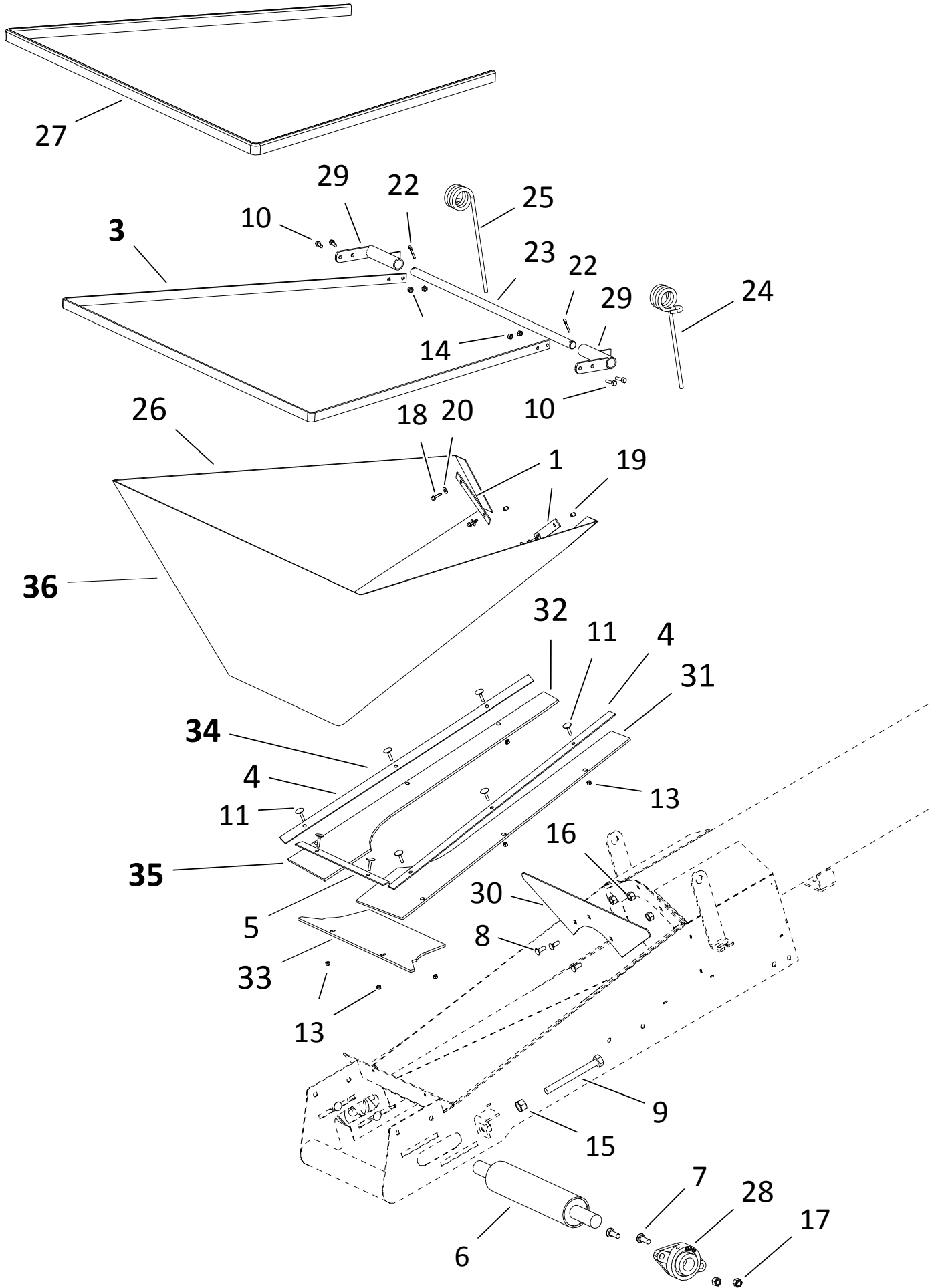
| ITEM | PART NO. | DESCRIPTION |
|------|------------|------------------------------------|
| 47 | P0152010 | LOCK WASHER 5/16" PLATED |
| 48 | P0162001 | HITCH PIN 1/2" X 3" PLATED |
| 51 | P0183004 | U-BOLT 3" X 3" - PLATED |
| 52 | P0183005 | U-BOLT 5" X 2" (3/4") PTD |
| 53 | P0183021 | 3/8" EYE BOLT ASM |
| 54 | P0184033 | WIRE HOSE CLAMP .500" |
| 55 | P0615308 | TIRE ASM -6BLT ST205/75R15 LRC 6PL |
| 56 | P0712109 | CABLE CLAMP-3/8" |
| 57 | P0814030 | HYD CYL-4X30 |
| 58 | P0831008 | FUEL LINE-1/4" ID |
| 59 | P1010001 | UNI-MOUNT PLATE CAST |
| 60 | P1012009 | JACK-7000LB SQ.TUBE 25" EXT |
| 61 | P1021006 | ROLLER HEX 15-7/8" |
| 62 | P1210030 | BELT GUIDE BLOCK |
| 63 | P1711001 | FLANGE UNIT-1-1/2"-SAFL208-24 |
| 64 | P2219801P | U-CLAMP HANGER-10" X 2-1/2"-BLACK |
| 65 | P2515002 | FRAME BUSHING |
| 66 | 15030015 | HITCH |
| 67 | 15010103 | HIGH CABLE BRIDGE |
| 68 | 1200011 | CAP, FOR RESERVOIR & GAS TANK |
| 68 | P021200051 | GAS TANK W/CAP W/FITTING-22L |
| 69 | P029900216 | GEAR CLAMP 32" |
| 70 | 15570651 | 1565 135' 3" |
| 71 | P07111111 | CABLE-3/8" (112') |
| 72 | P1243001 | CABLE TIE 14" 120 LB |
| 73 | P2227989 | MANUAL HOLDER AND LID |
| 74 | 13060080 | DIRECT DRV CONTROL BOX |
| 75 | P0712113 | THROTTLE CONTROL 10' |
| 76 | P0712103 | CHOKE CABLE-9' LOCKING |



S-DRIVE (15590020)

| ITEM | PART NO. | DESCRIPTION |
|------|-----------|-------------------------------------|
| 1 | 15040001 | PINCH SD BOTTOM GUARD |
| 2 | 15060061 | SD COVER PLATE 6-1/2"ROLLER |
| 3 | 15060027 | S-DRIVE TENSION INDICATOR |
| 4 | 15060082 | PINCH TIGHTENER PLATE |
| 5 | 15060504 | PRETENSIONER 1550 |
| 6 | 15061045 | S-DRIVE PINCH |
| 7 | 15061046 | SIDE GUARD LH |
| 8 | 15061047 | SIDE GUARD RH |
| 9 | 15062010 | PINCH PIPE |
| 10 | 15062179 | S-DRIVE SLIDER BOLT PLATE - BOTTOM |
| 11 | 15062180 | S-DRIVE SLIDER BOLT PLATE - TOP |
| 12 | 15070019 | 3-1/2"TAKE-UP (PINCH) |
| 13 | 15070020 | 3-1/2"TAKE-UP 19.5"SHAFT |
| 14 | 15070030 | DRIVE ROLLER-6-1/2" W/EXT SHAFT |
| 15 | P0113000 | SPRING TENSION BOLT |
| 16 | P0113001 | CARRIAGE BOLT 1/2"X2" PLATED |
| 17 | P0113004 | CARRIAGE BOLT 1/2"X1-1/2"PLATED |
| 18 | P0118033 | BOLT 1/4" X 3/4" GR8 PLATED |
| 19 | P0118046 | BOLT 3/8" X 1" GR8 PLATED |
| 20 | P0131019 | NUT 3/4" PLATED GRADE 8 |
| 21 | P0134026 | LOCKNUT-NYLON-3/8" GRADE 8 |
| 22 | P0134008 | LOCKNUT-NYLON-1/2" |
| 23 | P0145004 | SET SCREW-7/16"X1-1/2"SQ.HD.PLATED |
| 24 | P0151015 | FLAT WASHER 3/4"PLATED USS |
| 25 | P0152004 | LOCK WASHER 1/4"PLATED |
| 26 | P0167001 | SPRING PIN 1/4" X 1-1/2" |
| 27 | P0351015 | MACHINERY BUSH 3/4"X1-1/4"-14G PTD. |
| 28 | P0511008 | SPRING-LD-1300 SERIES |
| 29 | P0820129 | BUSHING BRASS FLANGED |
| 30 | P1210102 | BELT TIGHTENER SLIDER PLATE FL208 |
| 31 | P1711001 | FLANGE UNIT-1-1/2"-SAFL208-24 |
| 32 | P1711004 | FLANGE UNIT-1"-SAFL205-16 |
| 33 | P1721001 | TAKE-UP UNIT-1-1/4"-T206-20 |
| 34 | P2515006 | 15 S-DRIVE TIGHTENER BOLT |
| 35 | P20315001 | S-DRIVE RETURN-1" ROLLER |
| 36 | P0113003 | CARRIAGE BOLT 1/2"X2-1/2"PLATED |
| 37 | P0151009 | FLAT WASHER 3/8"PLATED USS |
| 38 | P0151037 | FLAT WASHER 0.531 SQUARE-1.00-0.060 |

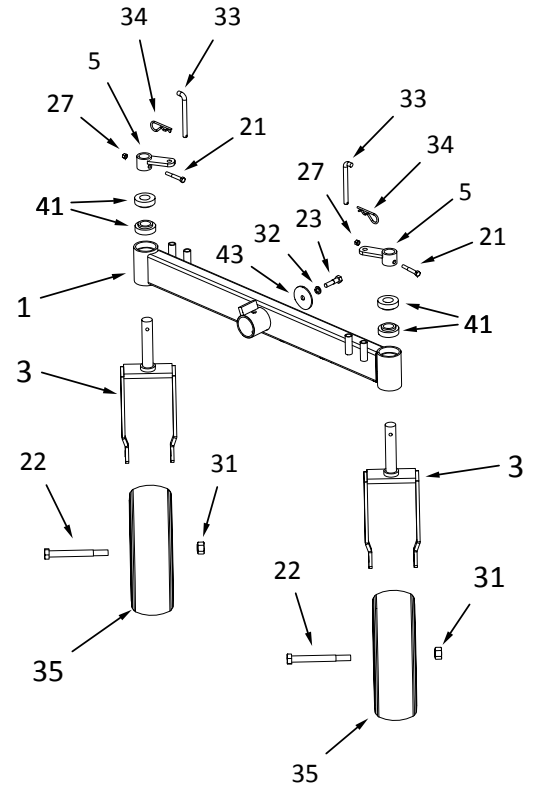
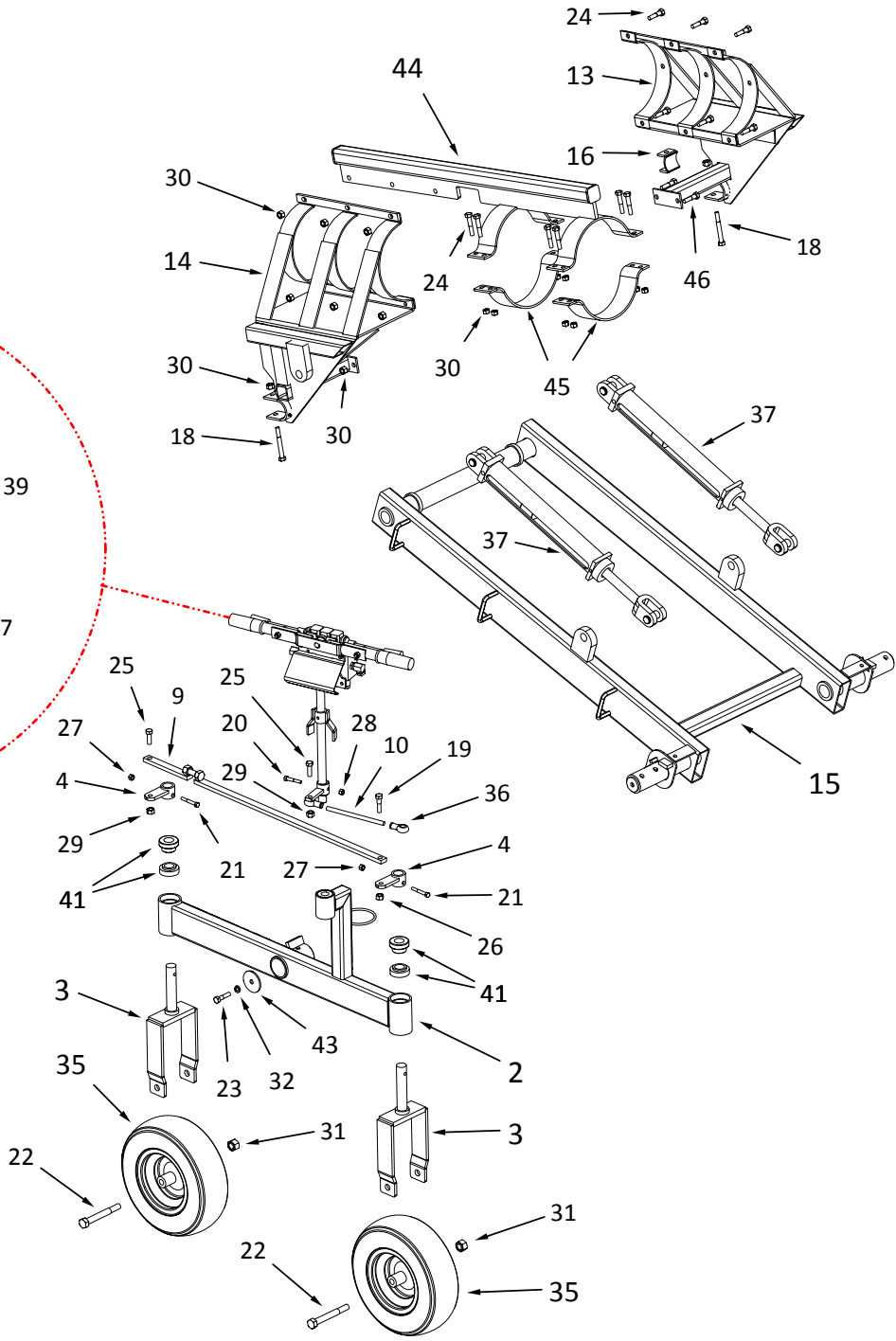
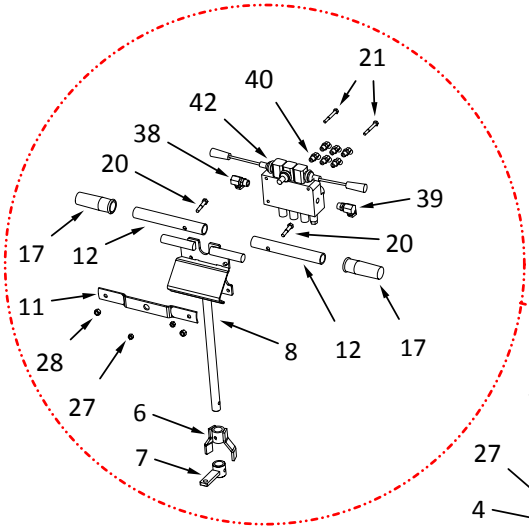
HOPPER (15000304P)



HOPPER (15000304P)

| ITEM | PART NO. | DESCRIPTION |
|------|-----------|---------------------------------|
| 1 | 13052001 | LOWER CLOTH FRAME STD BACK |
| 3 | 15052004 | UPPER CLOTH FRAME STD |
| 4 | 15052101 | LOWER CLOTH FRAME STD SIDE |
| 5 | 15052102 | LOWER CLOTH FRAME STD FRONT |
| 6 | 15070009 | HOPPER/SPOUT ROLLER LAGGED |
| 7 | P0113004 | CARRIAGE BOLT 1/2"X1-1/2"PLATED |
| 8 | P0113015 | CARRIAGE BOLT 3/8"X1" PLATED |
| 9 | P0114007 | TAP BOLT 3/4 X 7 PLATED |
| 10 | P0118061 | BOLT 5/16" X 1" GR8 PLATED |
| 11 | P0116001 | ELEVATOR BOLT 1/4"X1-1/4" |
| 13 | P0131016 | NUT 1/4" PLATED GRADE 8 |
| 14 | P0131017 | NUT 5/16" PLATED GRADE 8 |
| 15 | P0131019 | NUT 3/4" PLATED GRADE 8 |
| 16 | P0134026 | LOCKNUT-NYLON-3/8" GRADE 8 |
| 17 | P0134008 | LOCKNUT-NYLON-1/2" |
| 18 | P0141002 | TEK SCREW 1/4"X1" |
| 19 | P0145001 | VINYL SCREW CAP |
| 20 | P0151006 | FLAT WASHER 1/4"PLATED USS |
| 22 | P0161003 | COTTER PIN 3/16"X1-1/2"PLATED |
| 23 | P0162007 | HOPPER PIVOT SHAFT-13/15 |
| 24 | P0521001 | HOPPER SPRING-L |
| 25 | P0521002 | HOPPER SPRING-R |
| 26 | P1621007 | HOPPER CANVAS-15 CONV. |
| 27 | P1641015 | TRIM LOCK |
| 28 | P1711001 | FLANGE UNIT-1-1/2"-SAFL208-24 |
| 29 | P2515017 | PIVOT SHAFT BRACKET |
| 30 | P11150047 | HOPPER SHIELD |
| 31 | P19159000 | HOPPER LEFT FLASHING STD |
| 32 | P19159001 | HOPPER RIGHT FLASHING STD |
| 33 | P19159002 | HOPPER FRONT FLASHING STD |
| 34 | 15000314 | HOPPER -LINER KIT STD |
| 35 | 15000306P | HOPPER -FLASHING ONLY STD |
| 36 | 15000304P | HOPPER -COLLAPSABLE STD |

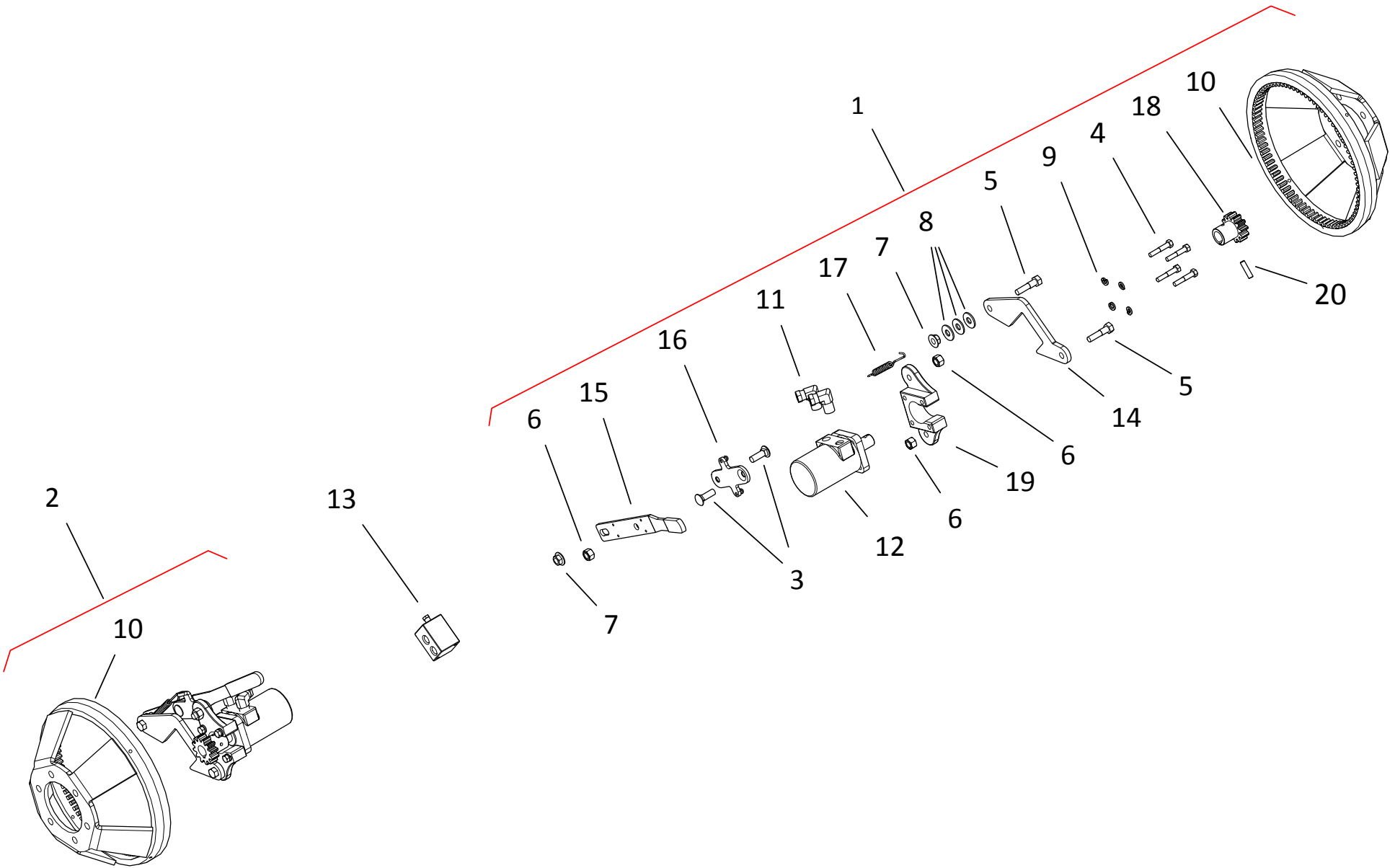
242



WHEEL MOVE

| ITEM | PART NO. | DESCRIPTION |
|------|-------------|-------------------------------------|
| 1 | 13120003 | WALKING BEAM |
| 2 | 13120004 | WALKING BEAM-STEERING |
| 3 | 13120005 | FORK-STRAIGHT |
| 4 | 13120007 | STEERING PIPE |
| 5 | 13120008 | LOCKING PIPE |
| 6 | 13120023 | STEERING STOP |
| 7 | 13120024 | HD CASTOR RETAINER C/W YOKE LINK AR |
| 8 | 13120125 | STEERING WELDMENT |
| 9 | 13122023 | STEERING LINK ARM |
| 10 | 13122076 | LINKAGE - THREADED 1/2X8 ROD |
| 11 | 13122078 | HANDLE JOINT |
| 12 | 13122087 | WM STEERING HANDLE PIPE |
| 13 | 15120001 | WHEEL MOVE BASE LEFT |
| 14 | 15120002 | WHEEL MOVE BASE RIGHT |
| 15 | 15120003 | CAM LIFT |
| 16 | 15120004 | SWIVEL BLOCK |
| 17 | P02-0200344 | HANDLE GRIP 1-1/4" |
| 18 | P0118019 | BOLT 1/2" X 3-1/2" GR8 PLATED |
| 19 | P0118029 | BOLT 1/4" X 2" GR8 PLATED |
| 20 | P0118050 | BOLT 3/8" X 2" GR8 PLATED |
| 21 | P0118063 | BOLT 5/16" X 2-1/2" GR8 PLATED |
| 22 | P0118133 | BOLT 3/4" X 7" GR8 PLATED |
| 23 | P0118016 | BOLT 1/2" X 2" GR8 PLATED |
| 24 | P0118017 | BOLT 1/2"X2-1/2"GRADE 8 PLATED |
| 25 | P0118077 | BOLT 7/16"X1-1/2" GRADE 8 PLATED |
| 26 | P0134023 | LOCKNUT-NYLON-1/4" GR8 |
| 27 | P0134027 | LOCKNUT-NYLON-5/16" GRADE 8 |
| 28 | P0134026 | LOCKNUT-NYLON-3/8" GRADE 8 |
| 29 | P0134007 | LOCKNUT-NYLON-7/16" |
| 30 | P0134008 | LOCKNUT-NYLON-1/2" |
| 31 | P0134029 | LOCKNUT-NYLON-3/4" GRADE 8 |
| 32 | P0152008 | LOCK WASHER 1/2"PLATED |
| 33 | P0162004 | HITCH PIN 1/2" X 5" PLATED |
| 34 | P0163001 | HAIR PIN 3/16" X 3-1/4" |
| 35 | P0614306 | TIRE & RIM 480X8 LRC |
| 36 | P0631010 | TIE ROD END BALL JOINT |
| 37 | P0812516 | HYD CYL-2-1/2X16 |
| 38 | P0820003 | SWIVEL-10ORBX1/2F90 |
| 39 | P0820009 | SWIVEL-6MORBX1/2"FPT/90D |
| 40 | P0820611 | ELBOW-6 ORBX3/8"JIC M 45 |
| 41 | P1742002 | BEARING-1-1/4" |
| 42 | P08610091 | VALVE-3 SPL-W/2 HANDLES |
| 43 | P11130185 | AXLE END CAP |
| 44 | 15060022 | MOVER FLANGE SUPPORT |
| 45 | P2513203P | 3" U-CLAMP PAINTED |
| 46 | P0118013 | BOLT 1/2"X1 1/2" GR.8 PLATED |

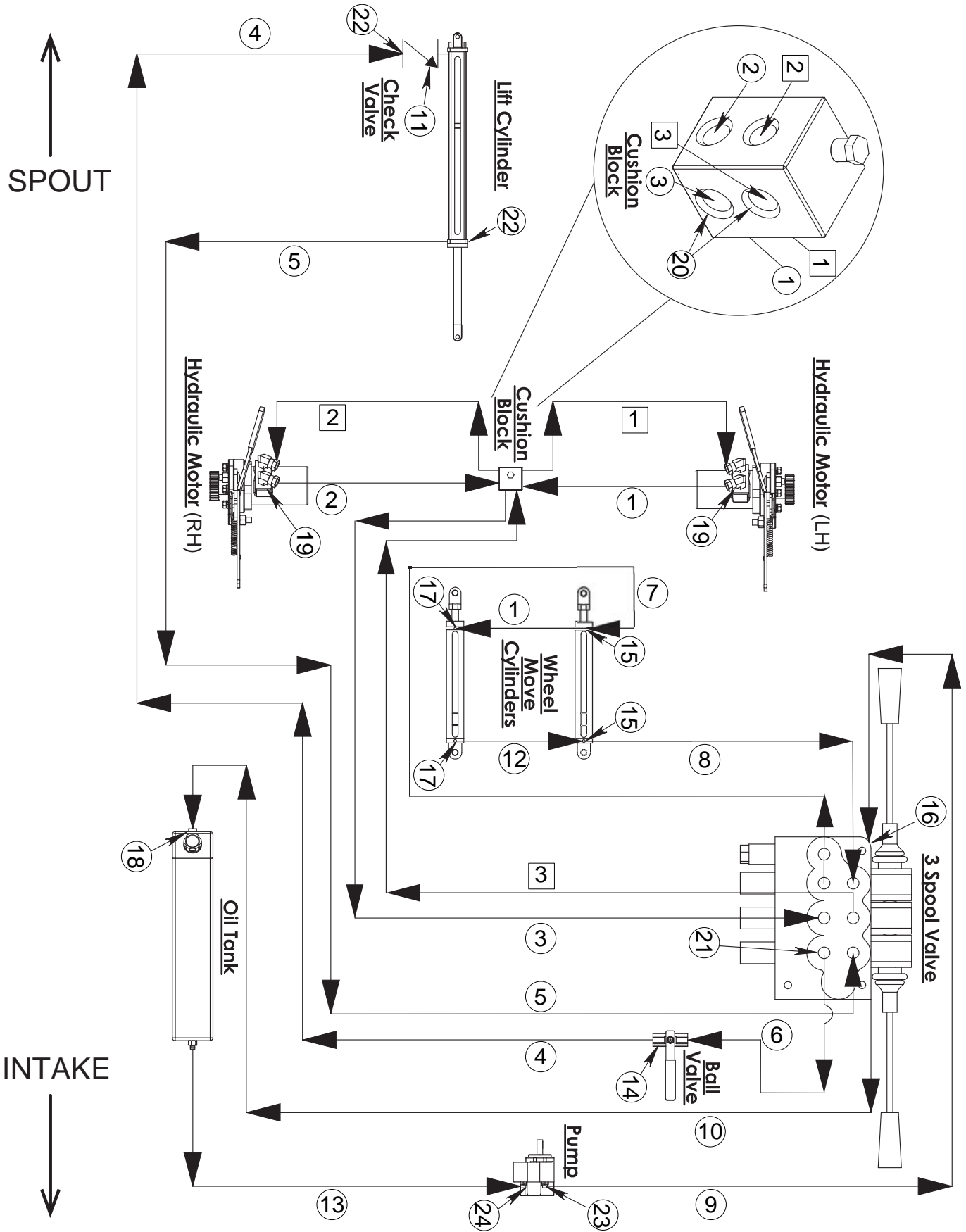
WHEEL MOVE DRIVE SYSTEM (13000144)



WHEEL MOVE DRIVE SYSTEM (13000144)

| ITEM | PART NO. | DESCRIPTION |
|------|-------------|------------------------------------|
| 1 | 13000120 | WM DRIVE PINION GEAR ASSY - RIGHT |
| 2 | 13000121 | WM DRIVE PINION GEAR ASSY - LEFT |
| 3 | P0113004 | CARRIAGE BOLT 1/2"X1-1/2"PLATED |
| 4 | P0118050 | BOLT 3/8" X 2" GR8 PLATED |
| 5 | P0118016 | BOLT 1/2" X 2" GR8 PLATED |
| 6 | P0134008 | LOCKNUT-NYLON-1/2" |
| 7 | P0134108 | LOCKNUT-TENSILOCK-1/2" |
| 8 | P0151029 | FLAT WASHER 1/2"PLATED USS |
| 9 | P0152006 | LOCK WASHER 3/8"PLATED |
| 10 | P0615314 | RING GEAR - 6 BOLT C/W MOUNT PLATE |
| 11 | P0820013 | SWIVEL-1/2MX3/8F90 |
| 12 | P0841012 | HYD MOTOR-6.3 (5.9H) RS-1/2" HOLE |
| 13 | P0861201 | CUSHION BLOCK, COMPLETE |
| 14 | P11130126 | WHEEL-MOVE AXLE TAB 3" |
| 15 | P020200007 | HANDLE WITH GRIP |
| 16 | 15121033 | PAINTED HANDLE LINK ARM |
| 17 | P020200009 | HANDLE SPRING |
| 18 | P020200333 | PINION GEAR-1"ID 3/8"HOLE |
| 19 | P020200338A | MOTOR ARM -EYEGLOSS PIECE, DRILLED |
| 20 | P0167101 | ROLL PIN SLOTTED 3/8" X 1-1/2" |
| 21 | P0163011 | HAIR PIN 5/32X2-15/16 (66326) |
| 22 | P0821127 | SWIVEL-3/8"-STR. |

WHEEL MOVE HYDRAULIC SCHEMATIC

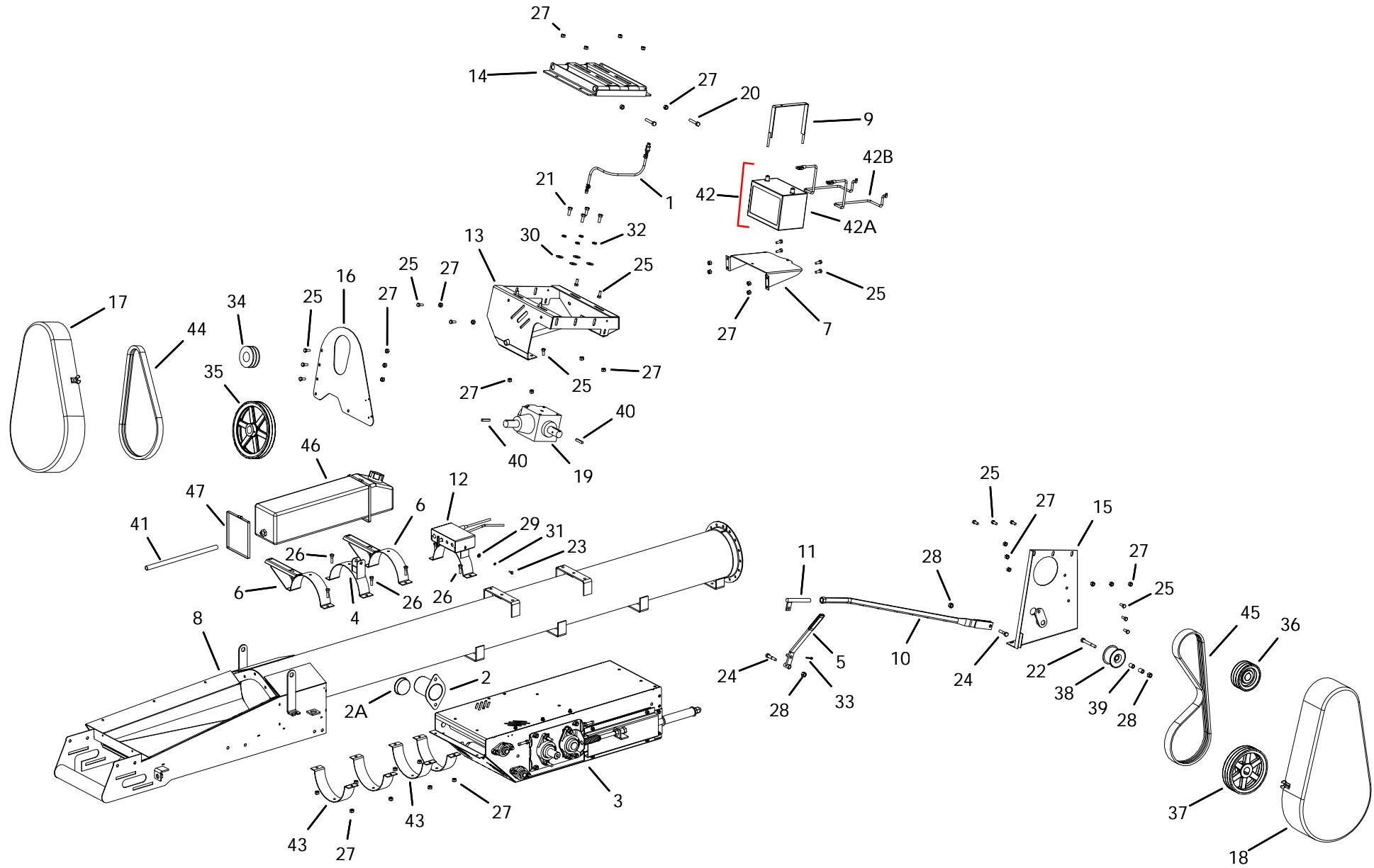


WHEEL MOVE HYDRAULIC SCHEMATIC

| ITEM | PART NO. | DESCRIPTION |
|------|------------|------------------------------------|
| 1 | P0832019 | HOSE 3/8(7'6")-3/8MPT-3/8MPT PC |
| 2 | P0832028 | HOSE 3/8(1'8")-3/8MPT-3/8MPT PC |
| 3 | P0832045 | HOSE 3/8(38')-3/8MPT-3/8FJIC PC |
| 4 | P0832048 | HOSE 3/8(39')-1/2MPT-1/2MPT PC |
| 5 | P0832041 | HOSE 3/8(49'6")-1/2MPT-3/8FJICX PC |
| 6 | P0832043 | HOSE 3/8(10'6")-1/2MPT-3/8FJIC PC |
| 7 | P0832026 | HOSE 3/8(7')-3/8FJICX-3/8MPT PC |
| 8 | P0832040 | HOSE 3/8(5'10")-3/8MPT-3/8FJICX PC |
| 9 | P0832053 | HOSE 1/2(11'6")-1/2"MPT-1/2"MPT PC |
| 10 | P0832031 | HOSE 1/2(15')-1/2MPT-1/2MPT PC |
| 11 | P0861035 | CHECK VALVE-1/2" (NO HOLE) |
| 12 | P0832029 | HOSE 3/8(5'6")-3/8MPT-3/8MPT PC |
| 13 | 01010148 | HOSE 3/4(5')-HOSE-HOSE |
| 14 | P0861001 | BALL VALVE-1/2" |
| 15 | P029900791 | TEE-3/8"FSX3/8"MX3/8"FS |
| 16 | P0820010 | SWIVEL-8MORBX1/2"FPT/90D |
| 17 | P0820007 | SWIVEL-3/8"PT/90D |
| 18 | P0821112 | SWIVEL-1/2" STRAIGHT |
| 19 | P0820013 | SWIVEL-1/2MX3/8F90 |
| 20 | P0821127 | SWIVEL-3/8"-STR. |
| 21 | P0820611 | ELBOW-6 ORBX3/8"JIC M 45 |
| 22 | P0820001 | SWIVEL-1/2"90 DEGREE |
| 23 | P0821129 | SWIVEL-6MORBX1/2"FPT |
| 24 | P0820702 | HOSE BARB-10MORBX3/4"HOSE |

GAS DIRECT DRIVE KIT (15593100)

248



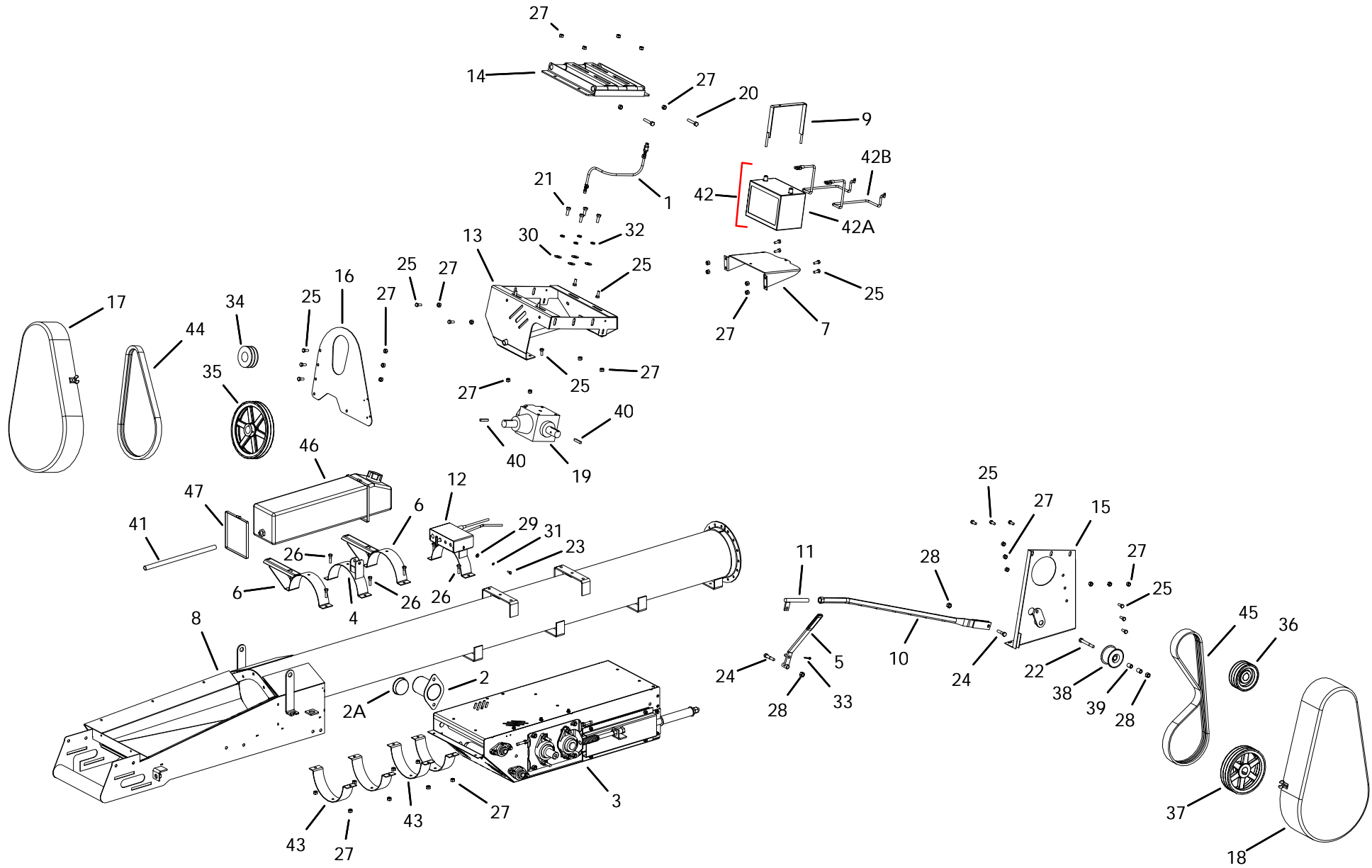
Note: Gas Drive Kit (15593100) does not include item # 8, 34 & 42.

GAS DIRECT DRIVE KIT (15593100)

| ITEM | PART NO. | DESCRIPTION |
|------|------------|-------------------------------------|
| 1 | 01010003 | BREATHER DIRECT DRIVE |
| 2 | 24041038 | SHAFT GUARD(FL-210) |
| 3 | 15590020 | S-DRIVE ASM W/PINCH |
| 4 | 13010048 | MOTOR MT OVERCENTER ANCHOR BKT |
| 5 | 13010054 | MOTOR MT OVERCENTER HANDLE |
| 6 | 13011038 | PLASTIC TANK SIDE MOUNT W 2.5" CLAM |
| 7 | 13012108 | MOTOR MOUNT BATTERY MOUNT |
| 8 | 13020040 | BT HOPPER SECTION 10' WITH SD BKTS |
| 9 | 13060054 | BATTERY CLAMP |
| 10 | 13060068 | MOTOR MT OVERCENTER PUSHROD |
| 11 | 13060074 | OVERCENTER ADJUSTER |
| 12 | 13060080 | DIRECT DRV CONTROL BOX |
| 13 | 13060102 | MOTOR MOUNT |
| 14 | 13060103 | SLIDER MOUNT |
| 15 | 13060105 | MOTOR MOUNT BACK PLATE |
| 16 | 13060107 | ENGINE GUARD BACK |
| 17 | 15040055 | PINCH GUARD SMALL ASSEMBLED |
| 18 | 15040056 | PINCH GUARD MED ASSEMBLED |
| 19 | 15591001 | GBOX 90 2:1 CW/CW 1-1/2 4190 W/OIL |
| 20 | P0114005 | TAP BOLT 1/2 X 2-1/2 GR.8 PLATED |
| 21 | P0118020 | BOLT 1/2" X 1-1/4" GR8 PLATED |
| 22 | P0118130 | BOLT 1/2" X 4" GR8 PLATED |
| 23 | P0118033 | BOLT 1/4" X 3/4" GR8 PLATED |
| 24 | P0118016 | BOLT 1/2" X 2" GR8 PLATED |
| 25 | P0118076 | BOLT 7/16"X1" GRADE 8 PLATED |
| 26 | P0118077 | BOLT 7/16"X1-1/2" GRADE 8 PLATED |
| 27 | P0134007 | LOCKNUT-NYLON-7/16" |
| 28 | P0134008 | LOCKNUT-NYLON-1/2" |
| 29 | P0151006 | FLAT WASHER 1/4"PLATED USS |
| 30 | P0151029 | FLAT WASHER 1/2"PLATED USS |
| 31 | P0152004 | LOCK WASHER 1/4"PLATED |
| 32 | P0152008 | LOCK WASHER 1/2"PLATED |
| 33 | P0161003 | COTTER PIN 3/16"X1-1/2"PLATED |
| 34 | P0328018 | PULLEY-DBL-BK-4"H |
| 35 | P0328024 | PULLEY-DBL-12" W/1-1/2"BORE |
| 36 | P0328050 | PULLEY-TRPL-6" W/1-1/2"BORE |
| 37 | P0328079 | PULLEY-TRPL-10" W/1-1/2"BORE |
| 38 | P0328910 | IDLER-FLAT-4"TRPL 2-7/16"WIDE |
| 39 | P0351019 | DNR-BUSHING 3/4"ODX1/2"IDX1"BRONZE |
| 40 | P0391002 | KEY 3/8" X 2" LONG |
| 41 | P0831008 | FUEL LINE-1/4"ID |
| 42 | P0951013 | BATTERY 420CCA |
| 43 | P2219801P | U-CLAMP HANGER-10"X2-1/2"-BLACK |
| 44 | P03210531 | BELT 2B53 BANDED |
| 45 | P03210652 | BELT 3B65 BANDED |
| 46 | P021200051 | GAS TANK W/CAP W/FITTING-22L |

GAS DIRECT DRIVE KIT (15593100)

250

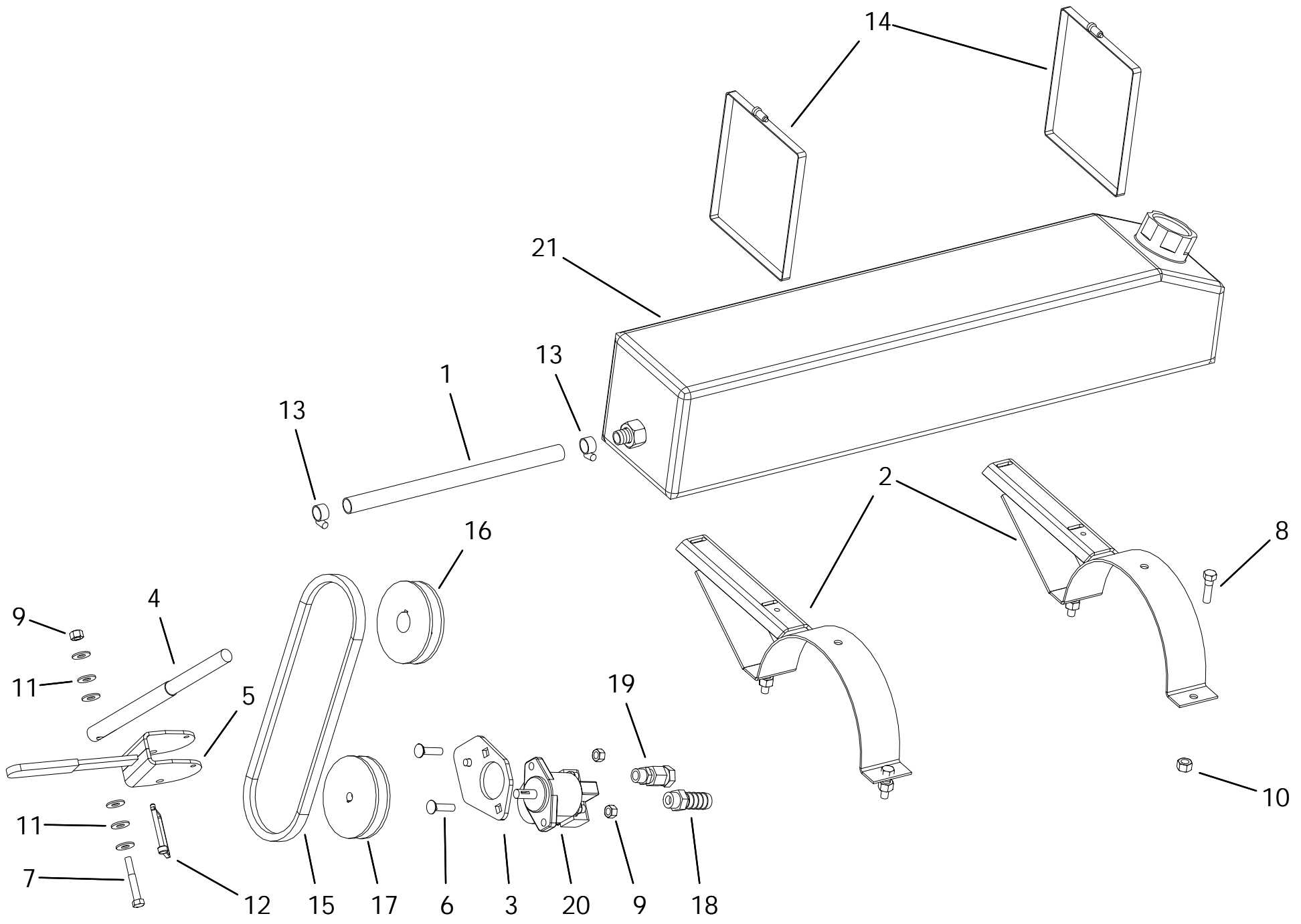


Note: Gas Drive Kit (15593100) does not include item # 8, 34 & 42.

GAS DIRECT DRIVE KIT (15593100)

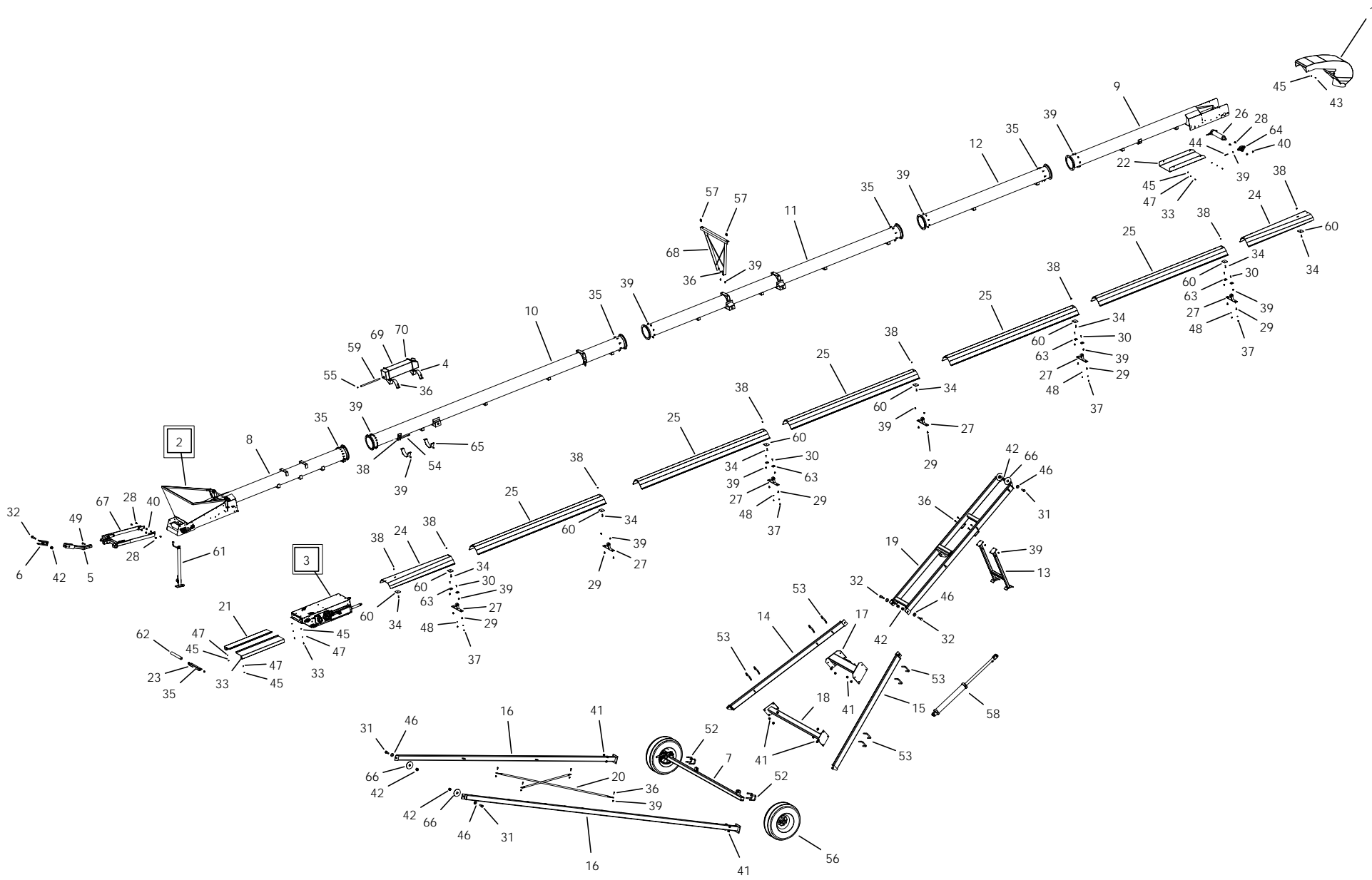
| ITEM | PART NO. | DESCRIPTION |
|-------------|-----------------|-------------------------------|
| 46 | 1200011 | CAP, FOR RESERVOIR & GAS TANK |
| 47 | P029900216 | GEAR CLAMP 32" |

WET KIT GAS (1559408X) - 45



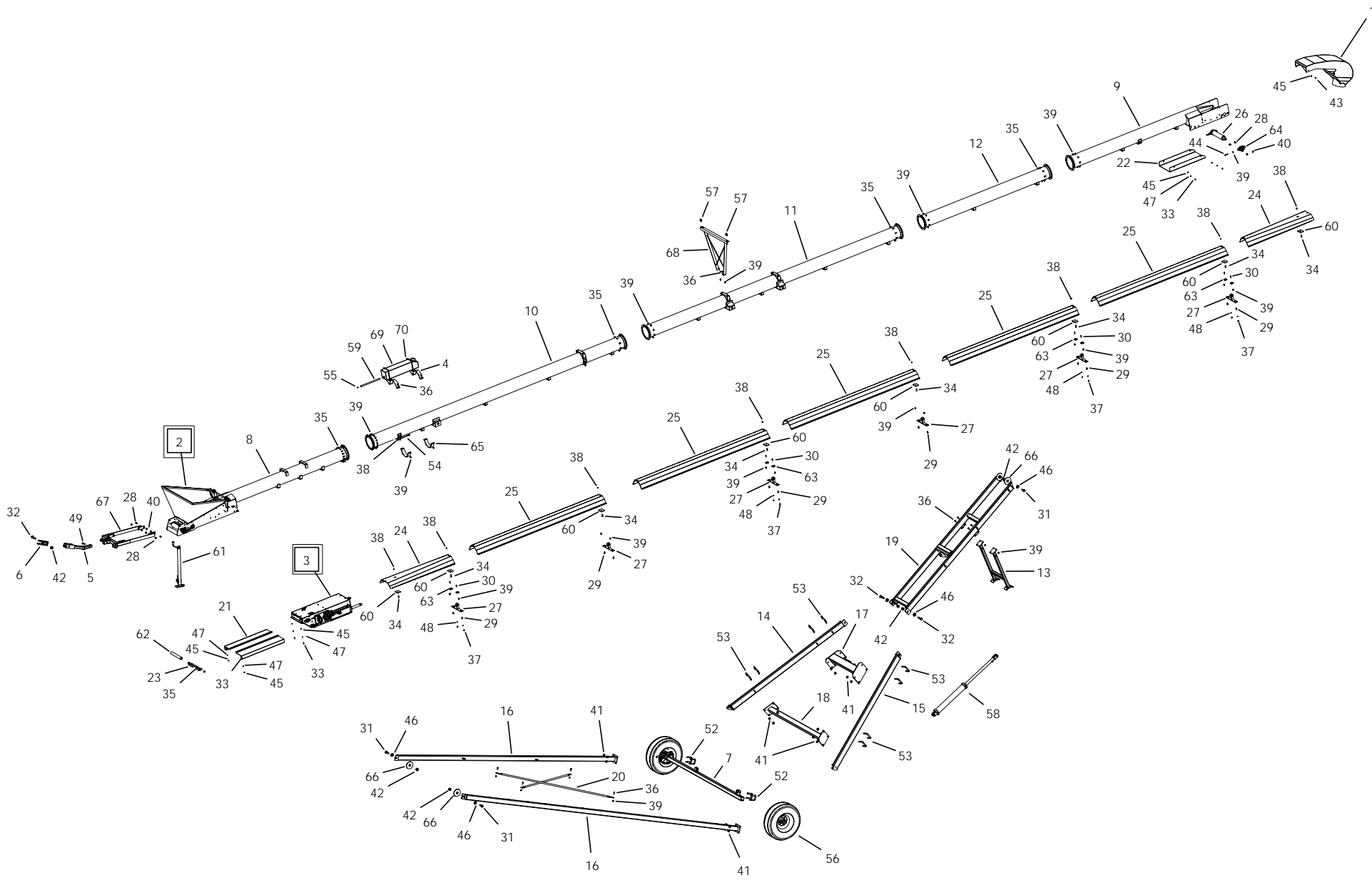
WET KIT GAS (1559408X) - 45

| ITEM | PART NO. | DESCRIPTION |
|------|--------------|-------------------------------------|
| 1 | 01010188 | HOSE 3/4(9')-HOSE-HOSE |
| 2 | 13011038 | PLASTIC TANK SIDE MOUNT W 2.5" CLAM |
| 3 | 13060104 | PUMP MOUNT -PINCH DRIVE |
| 4 | 13100028 | PIVOT HANDLE SHAFT |
| 5 | 13100035 | PIVOT HANDLE |
| 6 | P0113018 | CARRIAGE BOLT 3/8"X1 1/2"PLATED |
| 7 | P0118051 | BOLT 3/8" X 2-1/2" GR8 PLATED |
| 8 | P0118077 | BOLT 7/16"X1-1/2" GRADE 8 PLATED |
| 9 | P0134026 | LOCKNUT-NYLON-3/8" GRADE 8 |
| 10 | P0134007 | LOCKNUT-NYLON-7/16" |
| 11 | P0151009 | FLAT WASHER 3/8"PLATED USS |
| 12 | P0163010 | QUICK PIN 1/4X2-1/2 |
| 13 | P0184006 | HOSE CLAMP-3/4"(HS12) |
| 14 | P029900216 | GEAR CLAMP 32" |
| 15 | P0321035 | BELT B35 |
| 16 | P0328905 | PULLEY-4-1/2"X1-1/8" |
| 17 | P0328906 | PULLEY-4-1/2"X1/2" |
| 18 | P0820702 | HOSE BARB-10MORBX3/4"HOSE |
| 19 | P0821130 | SWIVEL-8 ORBX1/2"FPS |
| 20 | P0841033 | PUMP-SMALL |
| 20 | P0841033S | PUMP-0.375 CW/END PORTS SEAL |
| 21 | P029900052-3 | TANK, 22L, BLK W/FTG, CAP HOSE |



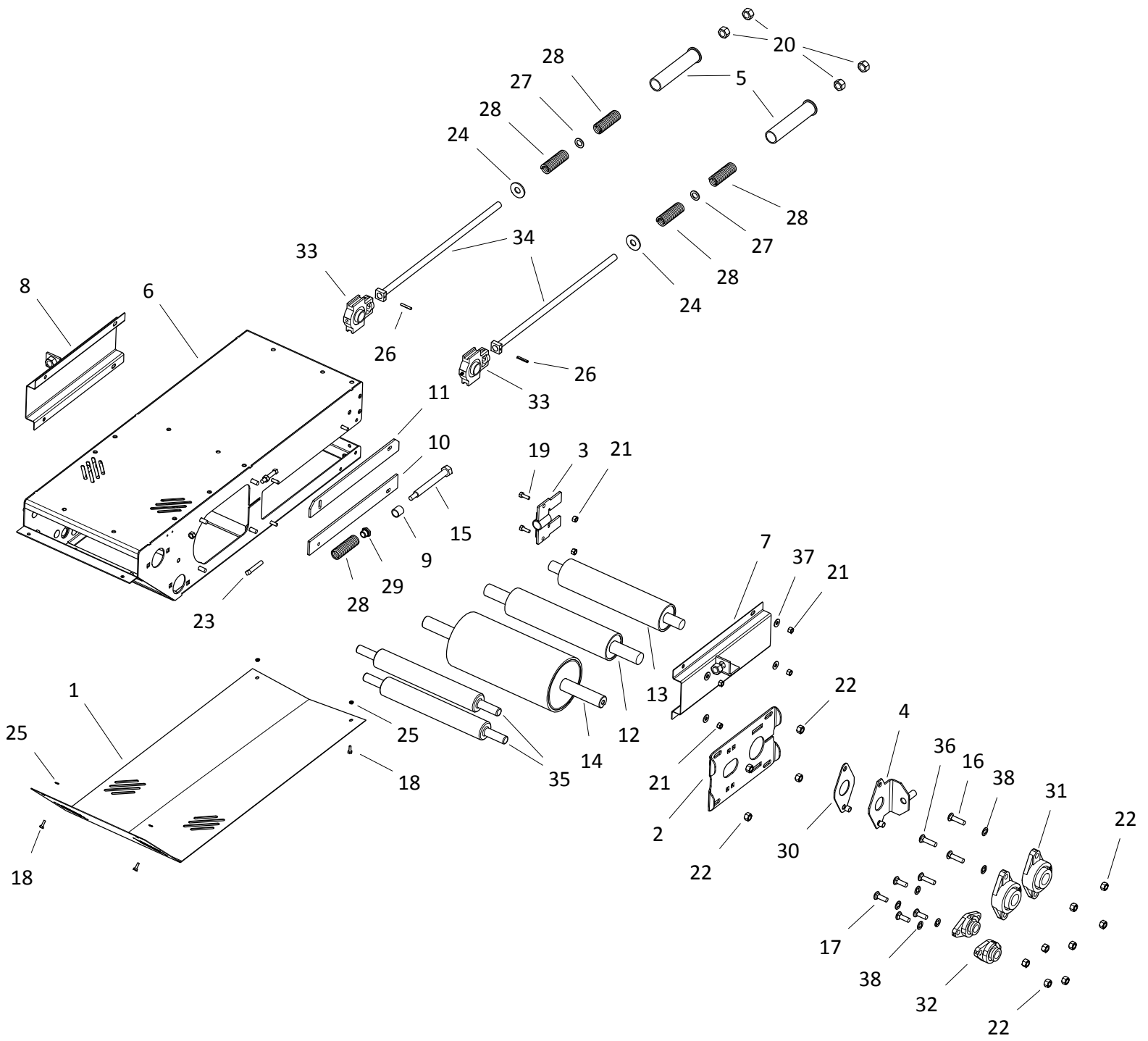
1575 FMD-15507515

| ITEM | PART NO. | DESCRIPTION |
|------|-----------|-------------------------------------|
| 1 | P1211501 | HOOD-ROUND 15 SERIES (KANBAN) |
| 2 | 15000304P | HOPPER -COLLAPSABLE STD |
| 3 | 15590020 | S-DRIVE ASM W/PINCH |
| 4 | 13011038 | PLASTIC TANK SIDE MOUNT W 2.5" CLAM |
| 5 | 13030016 | Tongue |
| 6 | 13030017 | CLEVIS |
| 7 | 13030105 | 1365-85 Axle (6 bolt) |
| 8 | 15020040 | BT HOPPER SECTION 10' WITH SD BKTS |
| 9 | 15020045 | SPOUT SECTION 10' W/CABLE RTRN BKT |
| 10 | 15020051 | BOTTOM TUBE WITH ANCHORS |
| 11 | 15020052 | SUSPENSION BRACKET TUBE |
| 12 | 15020054 | UPPER CENTER TUBE 10' |
| 13 | 15031001 | 65/75 TRANSPORT BRACE |
| 14 | 15031029 | 65/75 LIFT ARM LEFT |
| 15 | 15031030 | 65/75 LIFT ARM RIGHT |
| 16 | 15031032 | 65/75 AXLE ARM |
| 17 | 15031035 | 65/75 UPPER LIFT ARM BRACE |
| 18 | 15031036 | 65/75 LOWER LIFT ARM BRACE |
| 19 | 15031037 | 65/75 LADDER |
| 20 | 15032030 | CROSS BRACE |
| 21 | 15042040 | SD-HOPPER BELT GUARD |
| 22 | 15042093 | SPOUT BOTTOM COVER |
| 23 | 15042094 | HOPPER GUARD BRACKET |
| 24 | 15042102 | WEATHER GUARD 5' FLR - 61-1/2" |
| 25 | 15042121 | WEATHER GUARD 10' - 121-1/2" |
| 26 | 15070009 | HOPPER/SPOUT ROLLER LAGGED |
| 27 | 150100911 | WEATHER GUARD MOUNT BAR KIT-POLY |
| 28 | P0113004 | CARRIAGE BOLT 1/2"X1-1/2"PLATED |
| 29 | P0113013 | CARRIAGE BOLT 7/16"X1" PLATED |
| 30 | P0113020 | CARRIAGE BOLT 5/16"X1-1/2"PLATED |
| 31 | P0118004 | BOLT 1" X 3" GR8 PLATED |
| 32 | P0118007 | BOLT 1" X 4-1/2" GR8 PLATED |
| 33 | P0118033 | BOLT 1/4" X 3/4" GR8 PLATED |
| 34 | P0115303 | CAPSCREW 3/8X1-1/4FLT HD SOCKET PTD |
| 35 | P0118076 | BOLT 7/16"X1" GRADE 8 PLATED |
| 36 | P0118077 | BOLT 7/16"X1-1/2" GRADE 8 PLATED |
| 37 | P0131017 | NUT 5/16" PLATED GRADE 8 |
| 38 | P0134026 | LOCKNUT-NYLON-3/8" GRADE 8 |
| 39 | P0134007 | LOCKNUT-NYLON-7/16" |
| 40 | P0134008 | LOCKNUT-NYLON-1/2" |
| 41 | P0134029 | LOCKNUT-NYLON-3/4" GRADE 8 |
| 42 | P0134030 | LOCKNUT-NYLON-1" GRADE 8 |
| 43 | P0141002 | TEK SCREW 1/4"X1" |
| 44 | P0145002 | SET SCREW-7/16"X2-1/2"SQ.HD. |
| 45 | P0151006 | FLAT WASHER 1/4"PLATED USS |
| 46 | P0151031 | FLAT WASHER 1"PLATED USS |



1575 FMD-15507515

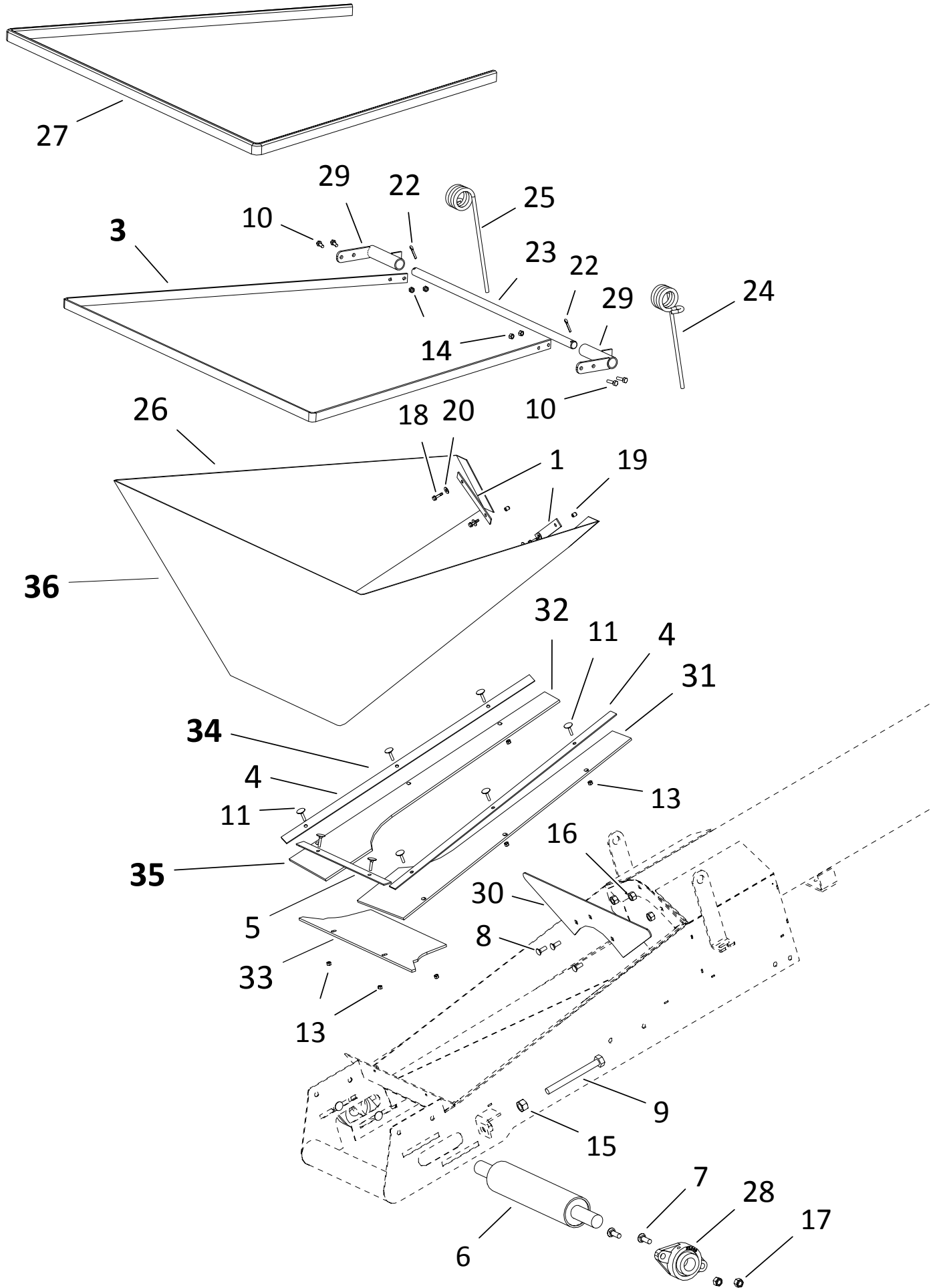
| ITEM | PART NO. | DESCRIPTION |
|------|------------|------------------------------------|
| 47 | P0152004 | LOCK WASHER 1/4" PLATED |
| 48 | P0152010 | LOCK WASHER 5/16" PLATED |
| 49 | P0162001 | HITCH PIN 1/2" X 3" PLATED |
| 52 | P0183004 | U-BOLT 3" X 3" -PLATED |
| 53 | P0183005 | U-BOLT 5"X2" (3/4") PTD |
| 54 | P0183021 | 3/8" EYE BOLT ASM |
| 55 | P0184033 | WIRE HOSE CLAMP .500" |
| 56 | P0615308 | TIRE ASM -6BLT ST205/75R15 LRC 6PL |
| 57 | P0712109 | CABLE CLAMP-3/8" |
| 58 | P0814030 | HYD CYL-4X30 |
| 59 | P0831008 | FUEL LINE-1/4"ID |
| 60 | P1010001 | UNI-MOUNT PLATE CAST |
| 61 | P1012009 | JACK-7000LB SQ.TUBE 25" EXT |
| 62 | P1021006 | ROLLER HEX 15-7/8" |
| 63 | P1210030 | BELT GUIDE BLOCK |
| 64 | P1711001 | FLANGE UNIT-1-1/2"-SAFL208-24 |
| 65 | P2219801P | U-CLAMP HANGER-10"X2-1/2"-BLACK |
| 66 | P2515002 | FRAME BUSHING |
| 67 | 15030015 | HITCH |
| 68 | 15010103 | HIGH CABLE BRIDGE |
| 69 | P021200051 | GAS TANK W/CAP W/FITTING-22L |
| 69 | 1200011 | CAP, FOR RESERVOIR & GAS TANK |
| 70 | P029900216 | GEAR CLAMP 32" |
| 71 | 15570751 | 1575 155' |
| 72 | P07111111 | CABLE-3/8" (112') |
| 73 | P1243001 | CABLE TIE 14" 120 LB |
| 74 | P2227989 | MANUAL HOLDER AND LID |
| 75 | 13060080 | DIRECT DRV CONTROL BOX |
| 76 | P0712113 | THROTTLE CONTROL 10' |
| 77 | P0712103 | CHOKE CABLE-9' LOCKING |



S-DRIVE (15590020)

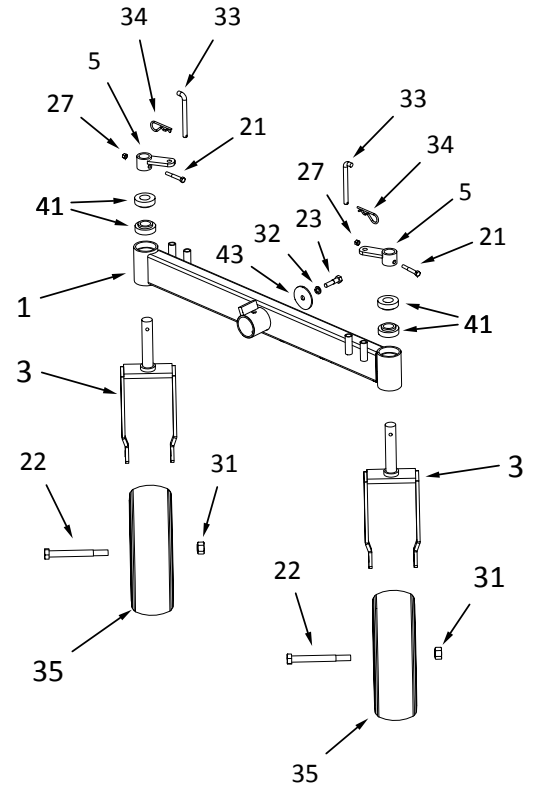
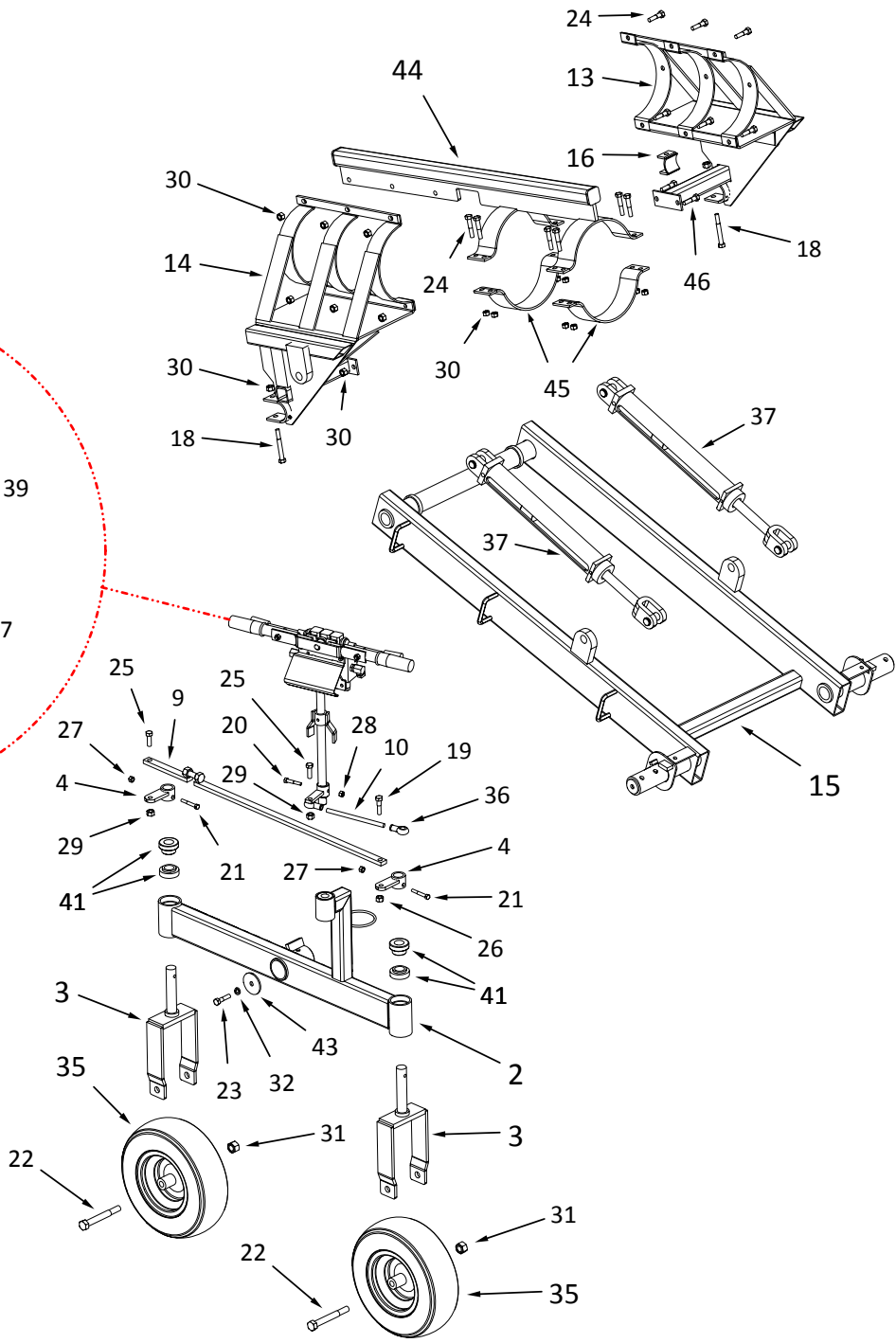
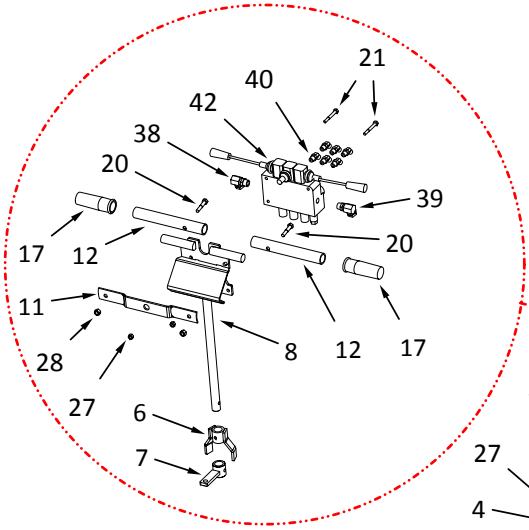
| ITEM | PART NO. | DESCRIPTION |
|------|-----------|-------------------------------------|
| 1 | 15040001 | PINCH SD BOTTOM GUARD |
| 2 | 15060061 | SD COVER PLATE 6-1/2"ROLLER |
| 3 | 15060027 | S-DRIVE TENSION INDICATOR |
| 4 | 15060082 | PINCH TIGHTENER PLATE |
| 5 | 15060504 | PRETENSIONER 1550 |
| 6 | 15061045 | S-DRIVE PINCH |
| 7 | 15061046 | SIDE GUARD LH |
| 8 | 15061047 | SIDE GUARD RH |
| 9 | 15062010 | PINCH PIPE |
| 10 | 15062179 | S-DRIVE SLIDER BOLT PLATE - BOTTOM |
| 11 | 15062180 | S-DRIVE SLIDER BOLT PLATE - TOP |
| 12 | 15070019 | 3-1/2"TAKE-UP (PINCH) |
| 13 | 15070020 | 3-1/2"TAKE-UP 19.5"SHAFT |
| 14 | 15070030 | DRIVE ROLLER-6-1/2" W/EXT SHAFT |
| 15 | P0113000 | SPRING TENSION BOLT |
| 16 | P0113001 | CARRIAGE BOLT 1/2"X2" PLATED |
| 17 | P0113004 | CARRIAGE BOLT 1/2"X1-1/2"PLATED |
| 18 | P0118033 | BOLT 1/4" X 3/4" GR8 PLATED |
| 19 | P0118046 | BOLT 3/8" X 1" GR8 PLATED |
| 20 | P0131019 | NUT 3/4" PLATED GRADE 8 |
| 21 | P0134026 | LOCKNUT-NYLON-3/8" GRADE 8 |
| 22 | P0134008 | LOCKNUT-NYLON-1/2" |
| 23 | P0145004 | SET SCREW-7/16"X1-1/2"SQ.HD.PLATED |
| 24 | P0151015 | FLAT WASHER 3/4"PLATED USS |
| 25 | P0152004 | LOCK WASHER 1/4"PLATED |
| 26 | P0167001 | SPRING PIN 1/4" X 1-1/2" |
| 27 | P0351015 | MACHINERY BUSH 3/4"X1-1/4"-14G PTD. |
| 28 | P0511008 | SPRING-LD-1300 SERIES |
| 29 | P0820129 | BUSHING BRASS FLANGED |
| 30 | P1210102 | BELT TIGHTENER SLIDER PLATE FL208 |
| 31 | P1711001 | FLANGE UNIT-1-1/2"-SAFL208-24 |
| 32 | P1711004 | FLANGE UNIT-1"-SAFL205-16 |
| 33 | P1721001 | TAKE-UP UNIT-1-1/4"-T206-20 |
| 34 | P2515006 | 15 S-DRIVE TIGHTENER BOLT |
| 35 | P20315001 | S-DRIVE RETURN-1" ROLLER |
| 36 | P0113003 | CARRIAGE BOLT 1/2"X2-1/2"PLATED |
| 37 | P0151009 | FLAT WASHER 3/8"PLATED USS |
| 38 | P0151037 | FLAT WASHER 0.531 SQUARE-1.00-0.060 |

HOPPER (15000304P)



HOPPER (15000304P)

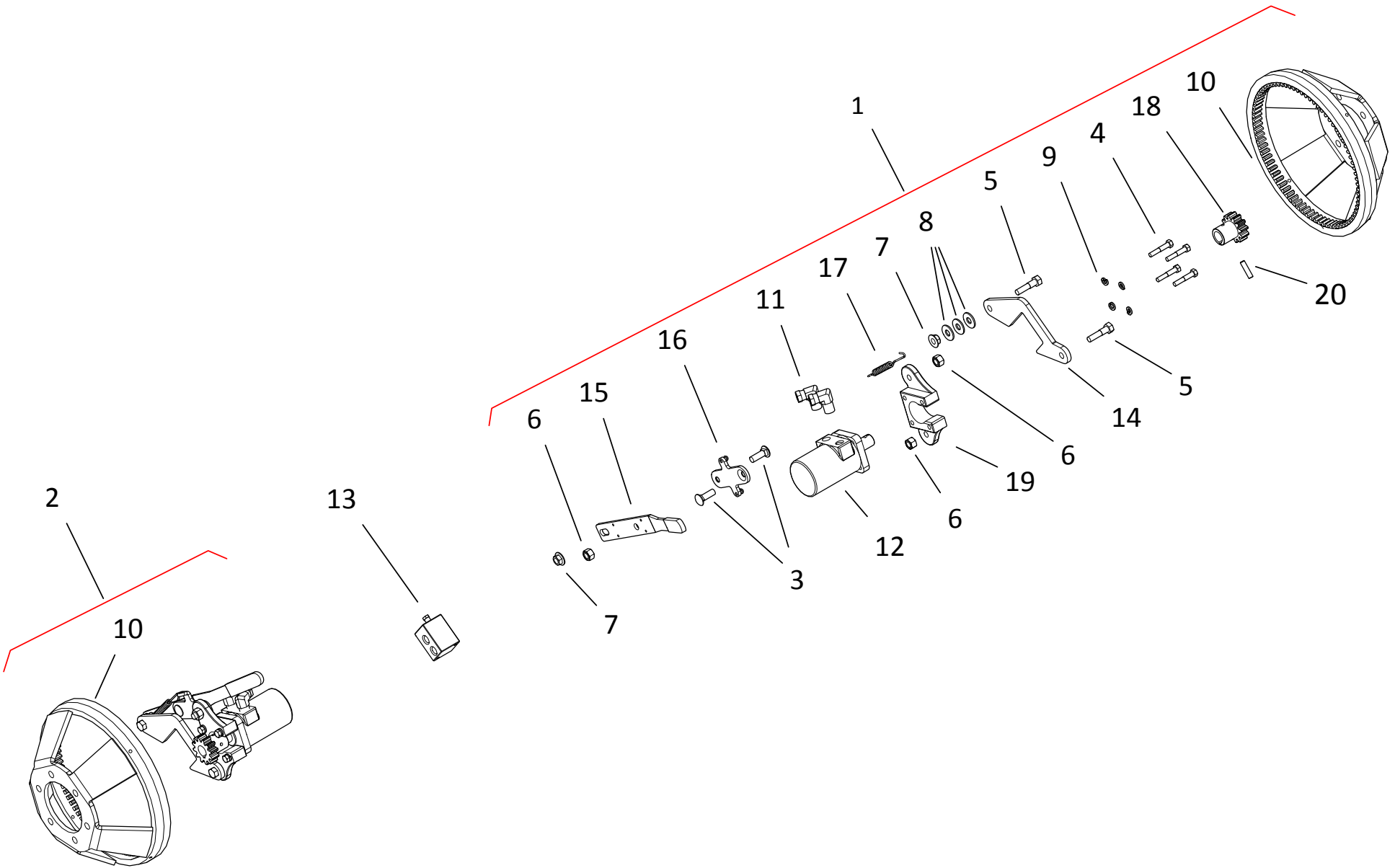
| ITEM | PART NO. | DESCRIPTION |
|------|-----------|---------------------------------|
| 1 | 13052001 | LOWER CLOTH FRAME STD BACK |
| 3 | 15052004 | UPPER CLOTH FRAME STD |
| 4 | 15052101 | LOWER CLOTH FRAME STD SIDE |
| 5 | 15052102 | LOWER CLOTH FRAME STD FRONT |
| 6 | 15070009 | HOPPER/SPOUT ROLLER LAGGED |
| 7 | P0113004 | CARRIAGE BOLT 1/2"X1-1/2"PLATED |
| 8 | P0113015 | CARRIAGE BOLT 3/8"X1" PLATED |
| 9 | P0114007 | TAP BOLT 3/4 X 7 PLATED |
| 10 | P0118061 | BOLT 5/16" X 1" GR8 PLATED |
| 11 | P0116001 | ELEVATOR BOLT 1/4"X1-1/4" |
| 13 | P0131016 | NUT 1/4" PLATED GRADE 8 |
| 14 | P0131017 | NUT 5/16" PLATED GRADE 8 |
| 15 | P0131019 | NUT 3/4" PLATED GRADE 8 |
| 16 | P0134026 | LOCKNUT-NYLON-3/8" GRADE 8 |
| 17 | P0134008 | LOCKNUT-NYLON-1/2" |
| 18 | P0141002 | TEK SCREW 1/4"X1" |
| 19 | P0145001 | VINYL SCREW CAP |
| 20 | P0151006 | FLAT WASHER 1/4"PLATED USS |
| 22 | P0161003 | COTTER PIN 3/16"X1-1/2"PLATED |
| 23 | P0162007 | HOPPER PIVOT SHAFT-13/15 |
| 24 | P0521001 | HOPPER SPRING-L |
| 25 | P0521002 | HOPPER SPRING-R |
| 26 | P1621007 | HOPPER CANVAS-15 CONV. |
| 27 | P1641015 | TRIM LOCK |
| 28 | P1711001 | FLANGE UNIT-1-1/2"-SAFL208-24 |
| 29 | P2515017 | PIVOT SHAFT BRACKET |
| 30 | P11150047 | HOPPER SHIELD |
| 31 | P19159000 | HOPPER LEFT FLASHING STD |
| 32 | P19159001 | HOPPER RIGHT FLASHING STD |
| 33 | P19159002 | HOPPER FRONT FLASHING STD |
| 34 | 15000314 | HOPPER -LINER KIT STD |
| 35 | 15000306P | HOPPER -FLASHING ONLY STD |
| 36 | 15000304P | HOPPER -COLLAPSABLE STD |



WHEEL MOVE

| ITEM | PART NO. | DESCRIPTION |
|------|-------------|-------------------------------------|
| 1 | 13120003 | WALKING BEAM |
| 2 | 13120004 | WALKING BEAM-STEERING |
| 3 | 13120005 | FORK-STRAIGHT |
| 4 | 13120007 | STEERING PIPE |
| 5 | 13120008 | LOCKING PIPE |
| 6 | 13120023 | STEERING STOP |
| 7 | 13120024 | HD CASTOR RETAINER C/W YOKE LINK AR |
| 8 | 13120125 | STEERING WELDMENT |
| 9 | 13122023 | STEERING LINK ARM |
| 10 | 13122076 | LINKAGE - THREADED 1/2X8 ROD |
| 11 | 13122078 | HANDLE JOINT |
| 12 | 13122087 | WM STEERING HANDLE PIPE |
| 13 | 15120001 | WHEEL MOVE BASE LEFT |
| 14 | 15120002 | WHEEL MOVE BASE RIGHT |
| 15 | 15120003 | CAM LIFT |
| 16 | 15120004 | SWIVEL BLOCK |
| 17 | P02-0200344 | HANDLE GRIP 1-1/4" |
| 18 | P0118019 | BOLT 1/2" X 3-1/2" GR8 PLATED |
| 19 | P0118029 | BOLT 1/4" X 2" GR8 PLATED |
| 20 | P0118050 | BOLT 3/8" X 2" GR8 PLATED |
| 21 | P0118063 | BOLT 5/16" X 2-1/2" GR8 PLATED |
| 22 | P0118133 | BOLT 3/4" X 7" GR8 PLATED |
| 23 | P0118016 | BOLT 1/2" X 2" GR8 PLATED |
| 24 | P0118017 | BOLT 1/2"X2-1/2"GRADE 8 PLATED |
| 25 | P0118077 | BOLT 7/16"X1-1/2" GRADE 8 PLATED |
| 26 | P0134023 | LOCKNUT-NYLON-1/4" GR8 |
| 27 | P0134027 | LOCKNUT-NYLON-5/16" GRADE 8 |
| 28 | P0134026 | LOCKNUT-NYLON-3/8" GRADE 8 |
| 29 | P0134007 | LOCKNUT-NYLON-7/16" |
| 30 | P0134008 | LOCKNUT-NYLON-1/2" |
| 31 | P0134029 | LOCKNUT-NYLON-3/4" GRADE 8 |
| 32 | P0152008 | LOCK WASHER 1/2"PLATED |
| 33 | P0162004 | HITCH PIN 1/2" X 5" PLATED |
| 34 | P0163001 | HAIR PIN 3/16" X 3-1/4" |
| 35 | P0614306 | TIRE & RIM 480X8 LRC |
| 36 | P0631010 | TIE ROD END BALL JOINT |
| 37 | P0812516 | HYD CYL-2-1/2X16 |
| 38 | P0820003 | SWIVEL-10ORBX1/2F90 |
| 39 | P0820009 | SWIVEL-6MORBX1/2"FPT/90D |
| 40 | P0820611 | ELBOW-6 ORBX3/8"JIC M 45 |
| 41 | P1742002 | BEARING-1-1/4" |
| 42 | P08610091 | VALVE-3 SPL-W/2 HANDLES |
| 43 | P11130185 | AXLE END CAP |
| 44 | 15060022 | MOVER FLANGE SUPPORT |
| 45 | P2513203P | 3" U-CLAMP PAINTED |
| 46 | P0118013 | BOLT 1/2"X1 1/2" GR.8 PLATED |

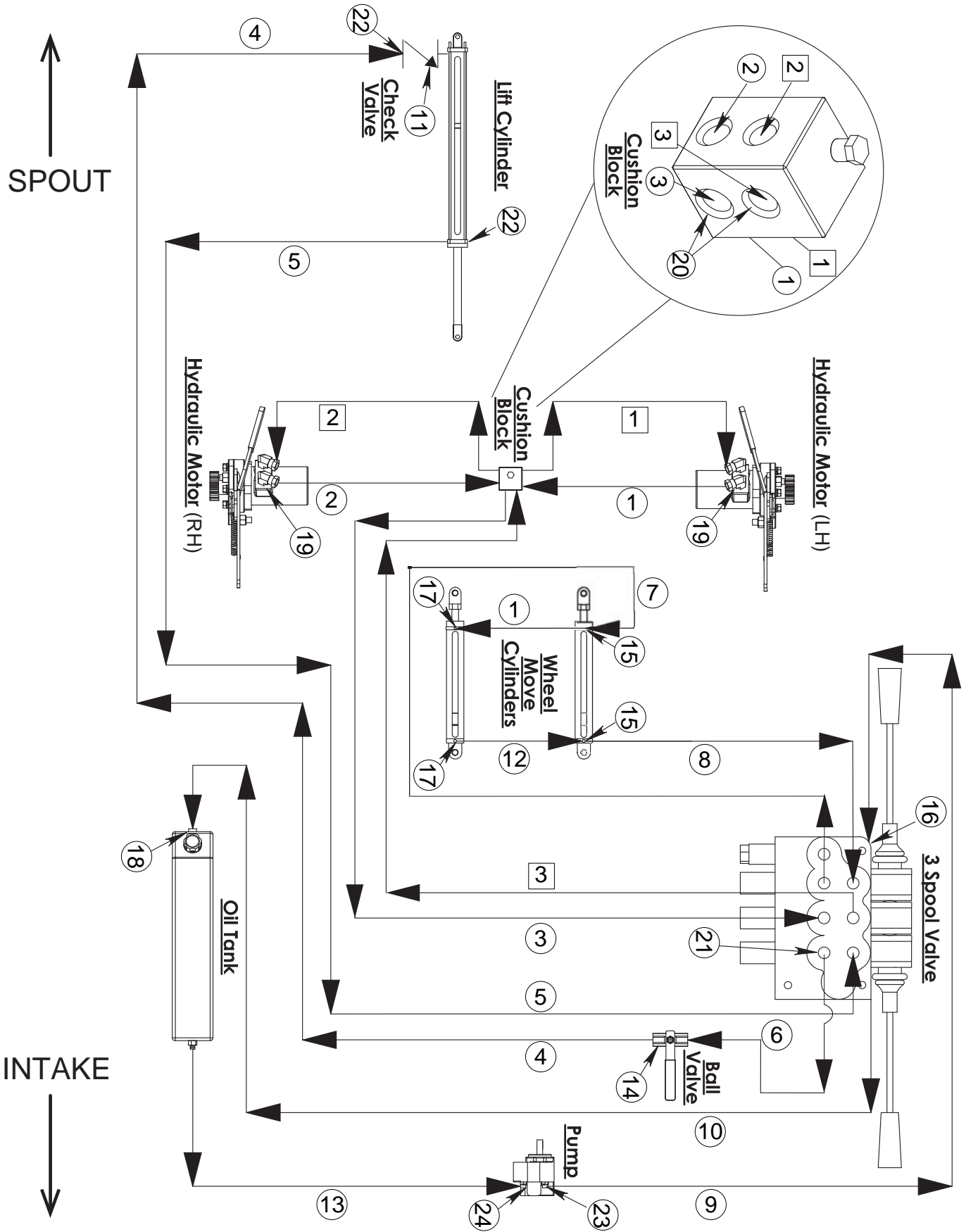
WHEEL MOVE DRIVE SYSTEM (13000144)



WHEEL MOVE DRIVE SYSTEM (13000144)

| ITEM | PART NO. | DESCRIPTION |
|------|-------------|------------------------------------|
| 1 | 13000120 | WM DRIVE PINION GEAR ASSY - RIGHT |
| 2 | 13000121 | WM DRIVE PINION GEAR ASSY - LEFT |
| 3 | P0113004 | CARRIAGE BOLT 1/2"X1-1/2"PLATED |
| 4 | P0118050 | BOLT 3/8" X 2" GR8 PLATED |
| 5 | P0118016 | BOLT 1/2" X 2" GR8 PLATED |
| 6 | P0134008 | LOCKNUT-NYLON-1/2" |
| 7 | P0134108 | LOCKNUT-TENSILOCK-1/2" |
| 8 | P0151029 | FLAT WASHER 1/2"PLATED USS |
| 9 | P0152006 | LOCK WASHER 3/8"PLATED |
| 10 | P0615314 | RING GEAR - 6 BOLT C/W MOUNT PLATE |
| 11 | P0820013 | SWIVEL-1/2MX3/8F90 |
| 12 | P0841012 | HYD MOTOR-6.3 (5.9H) RS-1/2" HOLE |
| 13 | P0861201 | CUSHION BLOCK, COMPLETE |
| 14 | P11130126 | WHEEL-MOVE AXLE TAB 3" |
| 15 | P020200007 | HANDLE WITH GRIP |
| 16 | 15121033 | PAINTED HANDLE LINK ARM |
| 17 | P020200009 | HANDLE SPRING |
| 18 | P020200333 | PINION GEAR-1"ID 3/8"HOLE |
| 19 | P020200338A | MOTOR ARM -EYEGLOSS PIECE, DRILLED |
| 20 | P0167101 | ROLL PIN SLOTTED 3/8" X 1-1/2" |
| 21 | P0163011 | HAIR PIN 5/32X2-15/16 (66326) |
| 22 | P0821127 | SWIVEL-3/8"-STR. |

WHEEL MOVE HYDRAULIC SCHEMATIC

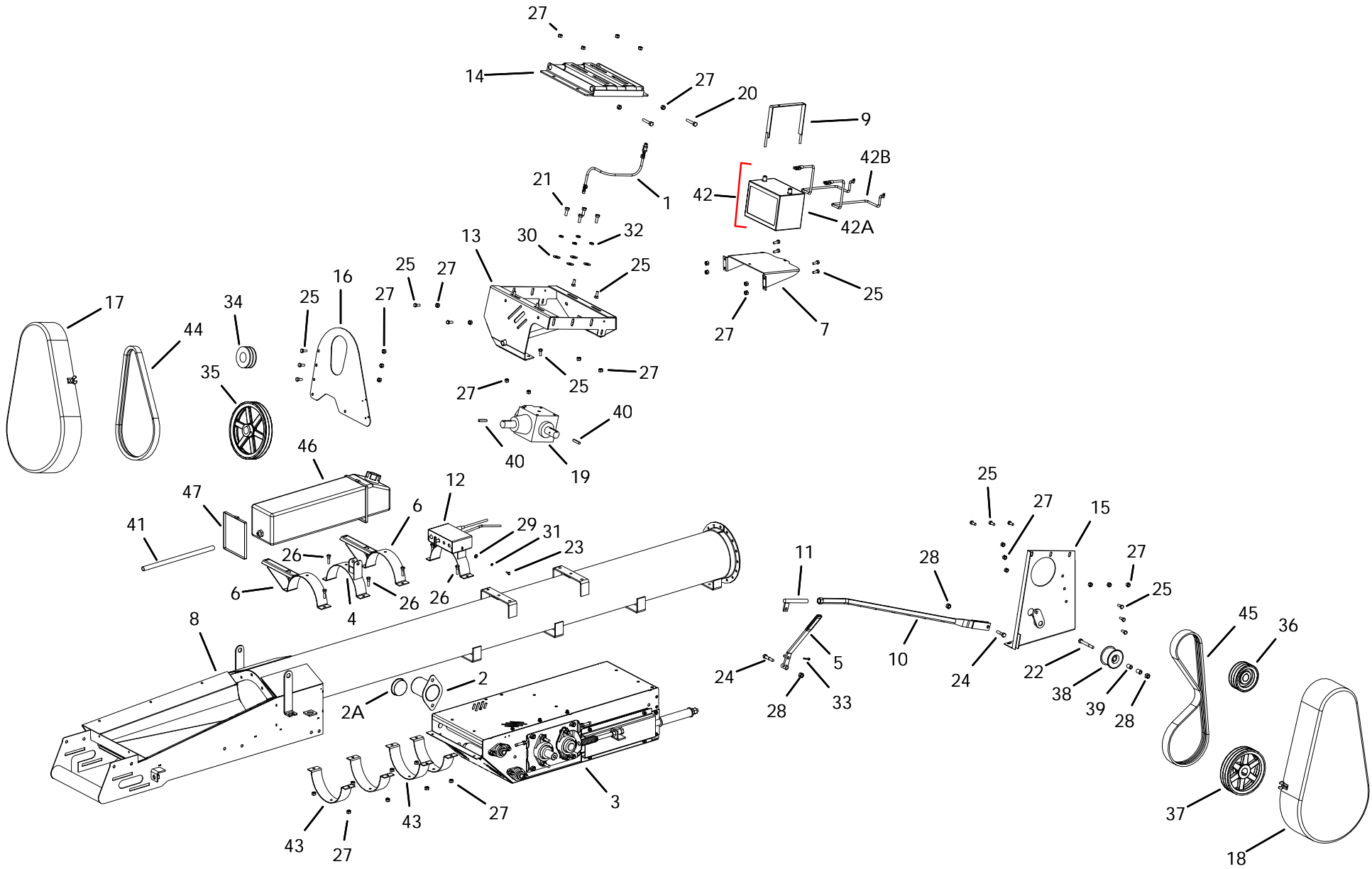


WHEEL MOVE HYDRAULIC SCHEMATIC

| ITEM | PART NO. | DESCRIPTION |
|------|------------|------------------------------------|
| 1 | P0832019 | HOSE 3/8(7'6")-3/8MPT-3/8MPT PC |
| 2 | P0832028 | HOSE 3/8(1'8")-3/8MPT-3/8MPT PC |
| 3 | P0832045 | HOSE 3/8(38')-3/8MPT-3/8FJIC PC |
| 4 | P0832048 | HOSE 3/8(39')-1/2MPT-1/2MPT PC |
| 5 | P0832041 | HOSE 3/8(49'6")-1/2MPT-3/8FJICX PC |
| 6 | P0832043 | HOSE 3/8(10'6")-1/2MPT-3/8FJIC PC |
| 7 | P0832026 | HOSE 3/8(7')-3/8FJICX-3/8MPT PC |
| 8 | P0832040 | HOSE 3/8(5'10")-3/8MPT-3/8FJICX PC |
| 9 | P0832053 | HOSE 1/2(11'6")-1/2"MPT-1/2"MPT PC |
| 10 | P0832031 | HOSE 1/2(15')-1/2MPT-1/2MPT PC |
| 11 | P0861035 | CHECK VALVE-1/2" (NO HOLE) |
| 12 | P0832029 | HOSE 3/8(5'6")-3/8MPT-3/8MPT PC |
| 13 | 01010148 | HOSE 3/4(5')-HOSE-HOSE |
| 14 | P0861001 | BALL VALVE-1/2" |
| 15 | P029900791 | TEE-3/8"FSX3/8"MX3/8"FS |
| 16 | P0820010 | SWIVEL-8MORBX1/2"FPT/90D |
| 17 | P0820007 | SWIVEL-3/8"PT/90D |
| 18 | P0821112 | SWIVEL-1/2" STRAIGHT |
| 19 | P0820013 | SWIVEL-1/2MX3/8F90 |
| 20 | P0821127 | SWIVEL-3/8"-STR. |
| 21 | P0820611 | ELBOW-6 ORBX3/8"JIC M 45 |
| 22 | P0820001 | SWIVEL-1/2"90 DEGREE |
| 23 | P0821129 | SWIVEL-6MORBX1/2"FPT |
| 24 | P0820702 | HOSE BARB-10MORBX3/4"HOSE |

GAS DIRECT DRIVE KIT (15593100)

268



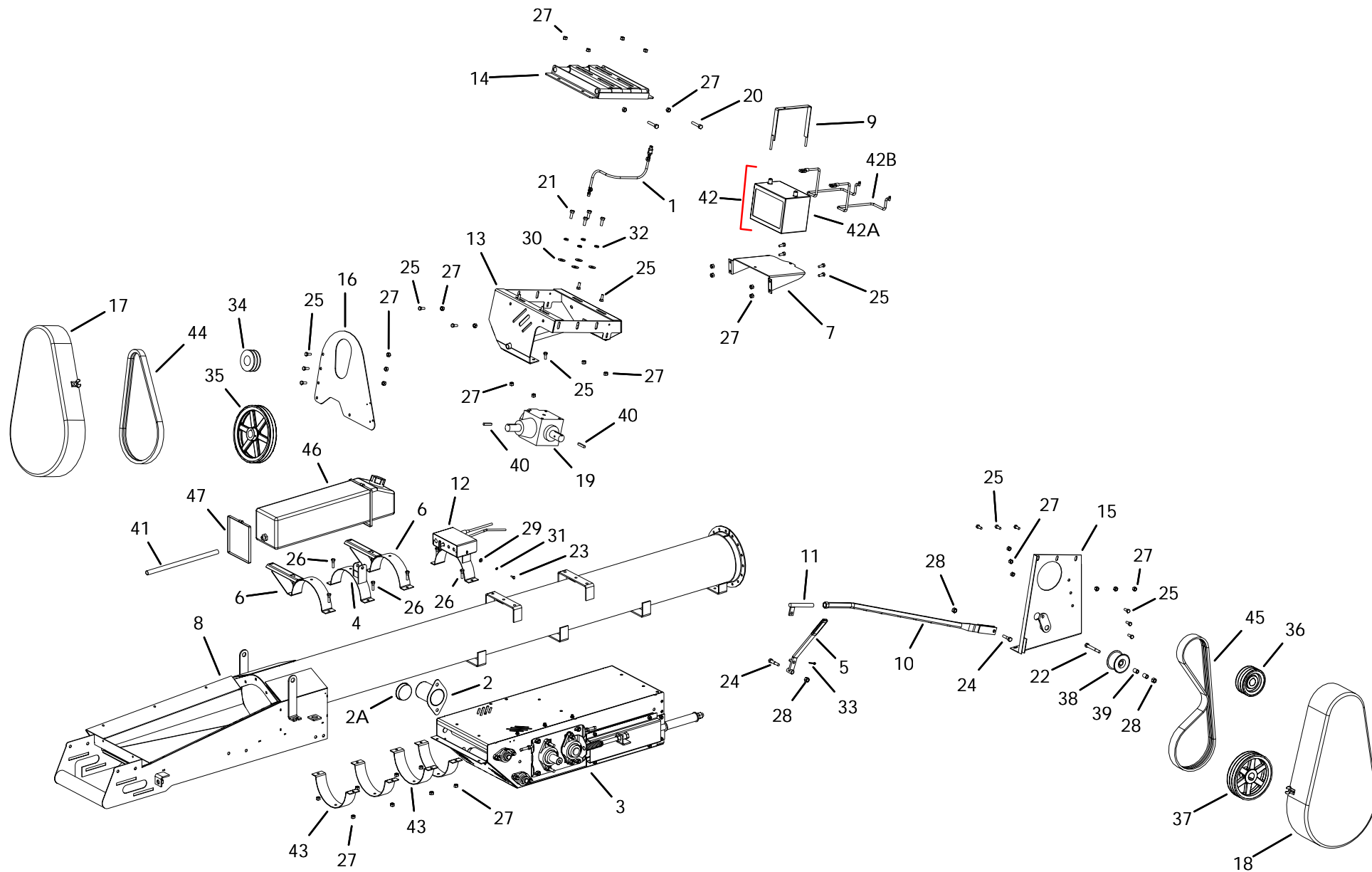
Note: Gas Drive Kit (15593100) does not include item # 8, 34 & 42.

GAS DIRECT DRIVE KIT (15593100)

| ITEM | PART NO. | DESCRIPTION |
|------|------------|-------------------------------------|
| 1 | 01010003 | BREATHER DIRECT DRIVE |
| 2 | 24041038 | SHAFT GUARD(FL-210) |
| 3 | 15590020 | S-DRIVE ASM W/PINCH |
| 4 | 13010048 | MOTOR MT OVERCENTER ANCHOR BKT |
| 5 | 13010054 | MOTOR MT OVERCENTER HANDLE |
| 6 | 13011038 | PLASTIC TANK SIDE MOUNT W 2.5" CLAM |
| 7 | 13012108 | MOTOR MOUNT BATTERY MOUNT |
| 8 | 13020040 | BT HOPPER SECTION 10' WITH SD BKTS |
| 9 | 13060054 | BATTERY CLAMP |
| 10 | 13060068 | MOTOR MT OVERCENTER PUSHROD |
| 11 | 13060074 | OVERCENTER ADJUSTER |
| 12 | 13060080 | DIRECT DRV CONTROL BOX |
| 13 | 13060102 | MOTOR MOUNT |
| 14 | 13060103 | SLIDER MOUNT |
| 15 | 13060105 | MOTOR MOUNT BACK PLATE |
| 16 | 13060107 | ENGINE GUARD BACK |
| 17 | 15040055 | PINCH GUARD SMALL ASSEMBLED |
| 18 | 15040056 | PINCH GUARD MED ASSEMBLED |
| 19 | 15591001 | GBOX 90 2:1 CW/CW 1-1/2 4190 W/OIL |
| 20 | P0114005 | TAP BOLT 1/2 X 2-1/2 GR.8 PLATED |
| 21 | P0118020 | BOLT 1/2" X 1-1/4" GR8 PLATED |
| 22 | P0118130 | BOLT 1/2" X 4" GR8 PLATED |
| 23 | P0118033 | BOLT 1/4" X 3/4" GR8 PLATED |
| 24 | P0118016 | BOLT 1/2" X 2" GR8 PLATED |
| 25 | P0118076 | BOLT 7/16"X1" GRADE 8 PLATED |
| 26 | P0118077 | BOLT 7/16"X1-1/2" GRADE 8 PLATED |
| 27 | P0134007 | LOCKNUT-NYLON-7/16" |
| 28 | P0134008 | LOCKNUT-NYLON-1/2" |
| 29 | P0151006 | FLAT WASHER 1/4"PLATED USS |
| 30 | P0151029 | FLAT WASHER 1/2"PLATED USS |
| 31 | P0152004 | LOCK WASHER 1/4"PLATED |
| 32 | P0152008 | LOCK WASHER 1/2"PLATED |
| 33 | P0161003 | COTTER PIN 3/16"X1-1/2"PLATED |
| 34 | P0328018 | PULLEY-DBL-BK-4"H |
| 35 | P0328024 | PULLEY-DBL-12" W/1-1/2"BORE |
| 36 | P0328050 | PULLEY-TRPL-6" W/1-1/2"BORE |
| 37 | P0328079 | PULLEY-TRPL-10" W/1-1/2"BORE |
| 38 | P0328910 | IDLER-FLAT-4"TRPL 2-7/16"WIDE |
| 39 | P0351019 | DNR-BUSHING 3/4"ODX1/2"IDX1"BRONZE |
| 40 | P0391002 | KEY 3/8" X 2" LONG |
| 41 | P0831008 | FUEL LINE-1/4"ID |
| 42 | P0951013 | BATTERY 420CCA |
| 43 | P2219801P | U-CLAMP HANGER-10"X2-1/2"-BLACK |
| 44 | P03210531 | BELT 2B53 BANDED |
| 45 | P03210652 | BELT 3B65 BANDED |
| 46 | P021200051 | GAS TANK W/CAP W/FITTING-22L |

GAS DIRECT DRIVE KIT (15593100)

270

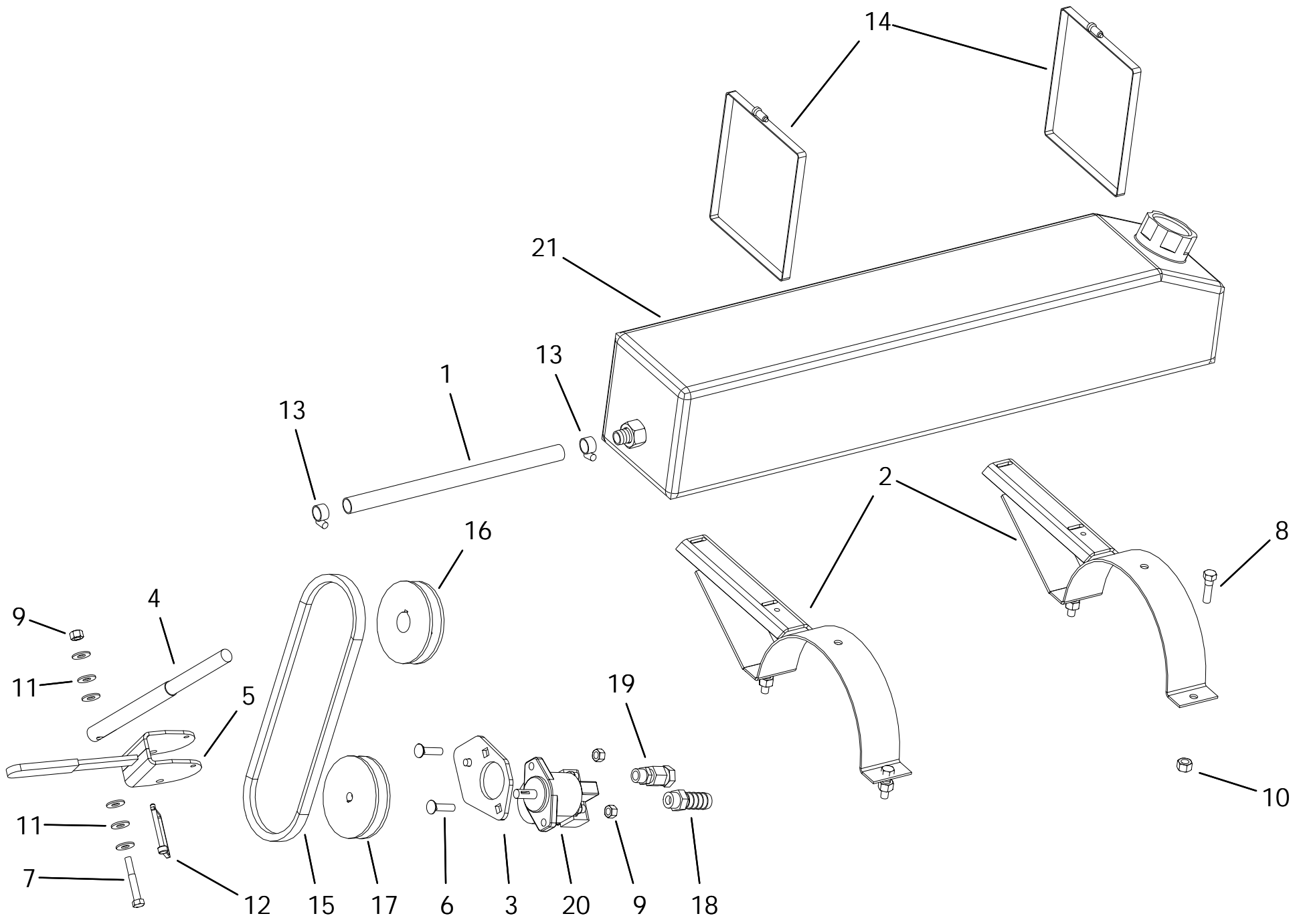


Note: Gas Drive Kit (15593100) does not include item # 8, 34 & 42.

GAS DIRECT DRIVE KIT (15593100)

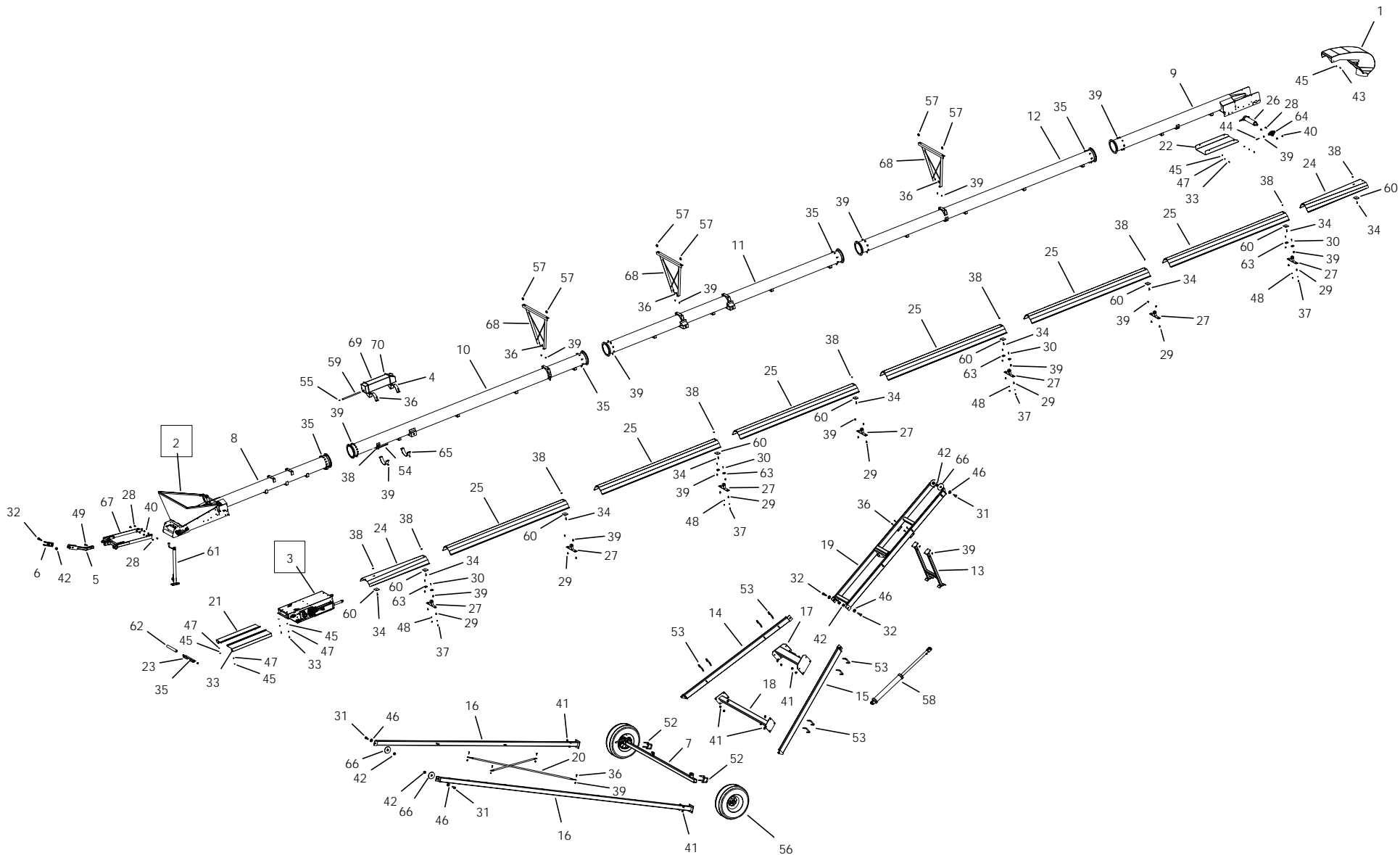
| ITEM | PART NO. | DESCRIPTION |
|-------------|-----------------|-------------------------------|
| 46 | 1200011 | CAP, FOR RESERVOIR & GAS TANK |
| 47 | P029900216 | GEAR CLAMP 32" |

WET KIT GAS (1559408X) - 45



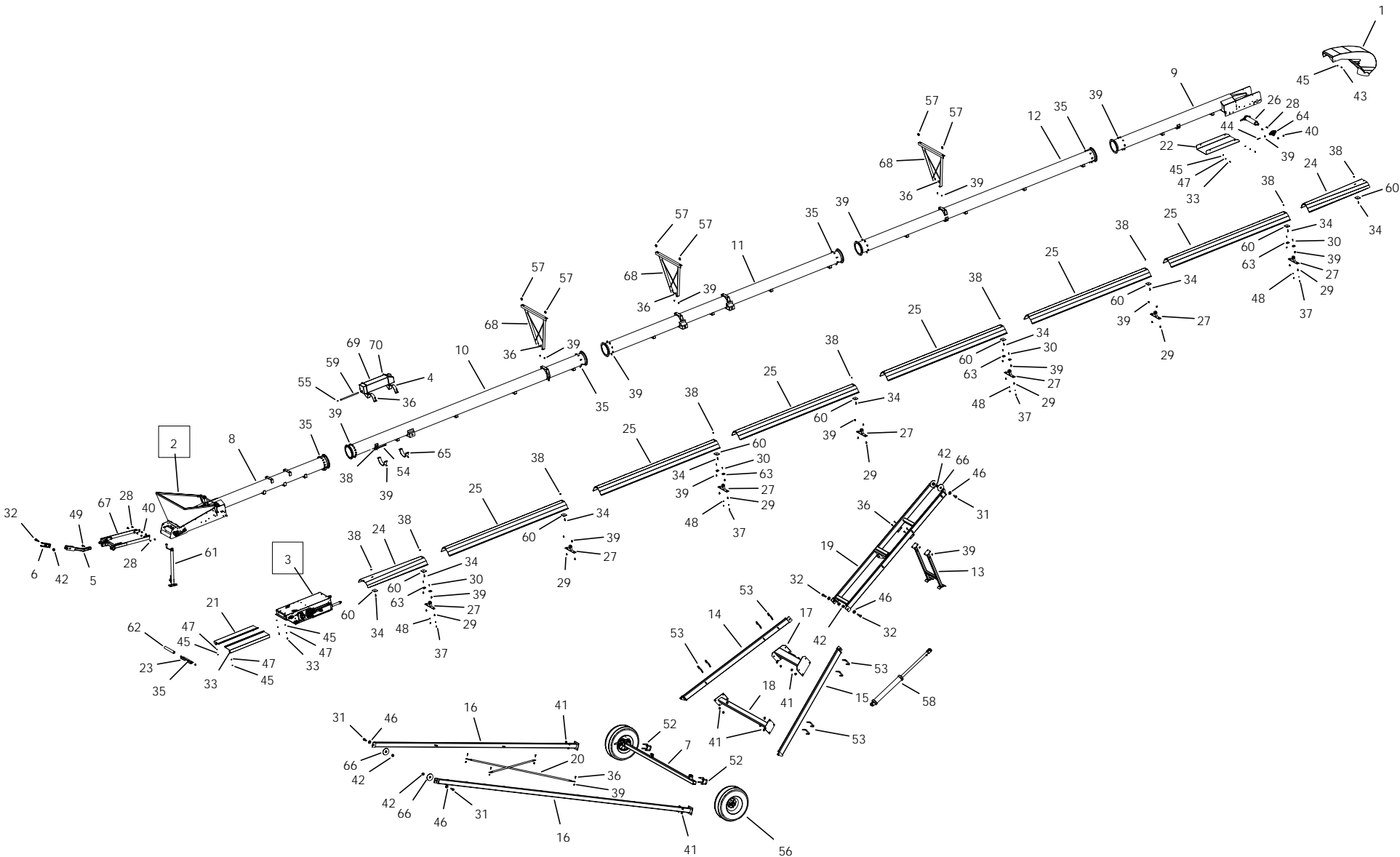
WET KIT GAS (1559408X) - 45

| ITEM | PART NO. | DESCRIPTION |
|------|--------------|-------------------------------------|
| 1 | 01010188 | HOSE 3/4(9')-HOSE-HOSE |
| 2 | 13011038 | PLASTIC TANK SIDE MOUNT W 2.5" CLAM |
| 3 | 13060104 | PUMP MOUNT -PINCH DRIVE |
| 4 | 13100028 | PIVOT HANDLE SHAFT |
| 5 | 13100035 | PIVOT HANDLE |
| 6 | P0113018 | CARRIAGE BOLT 3/8"X1 1/2"PLATED |
| 7 | P0118051 | BOLT 3/8" X 2-1/2" GR8 PLATED |
| 8 | P0118077 | BOLT 7/16"X1-1/2" GRADE 8 PLATED |
| 9 | P0134026 | LOCKNUT-NYLON-3/8" GRADE 8 |
| 10 | P0134007 | LOCKNUT-NYLON-7/16" |
| 11 | P0151009 | FLAT WASHER 3/8"PLATED USS |
| 12 | P0163010 | QUICK PIN 1/4X2-1/2 |
| 13 | P0184006 | HOSE CLAMP-3/4"(HS12) |
| 14 | P029900216 | GEAR CLAMP 32" |
| 15 | P0321035 | BELT B35 |
| 16 | P0328905 | PULLEY-4-1/2"X1-1/8" |
| 17 | P0328906 | PULLEY-4-1/2"X1/2" |
| 18 | P0820702 | HOSE BARB-10MORBX3/4"HOSE |
| 19 | P0821130 | SWIVEL-8 ORBX1/2"FPS |
| 20 | P0841033 | PUMP-SMALL |
| 20 | P0841033S | PUMP-0.375 CW/END PORTS SEAL |
| 21 | P029900052-3 | TANK, 22L, BLK W/FTG, CAP HOSE |



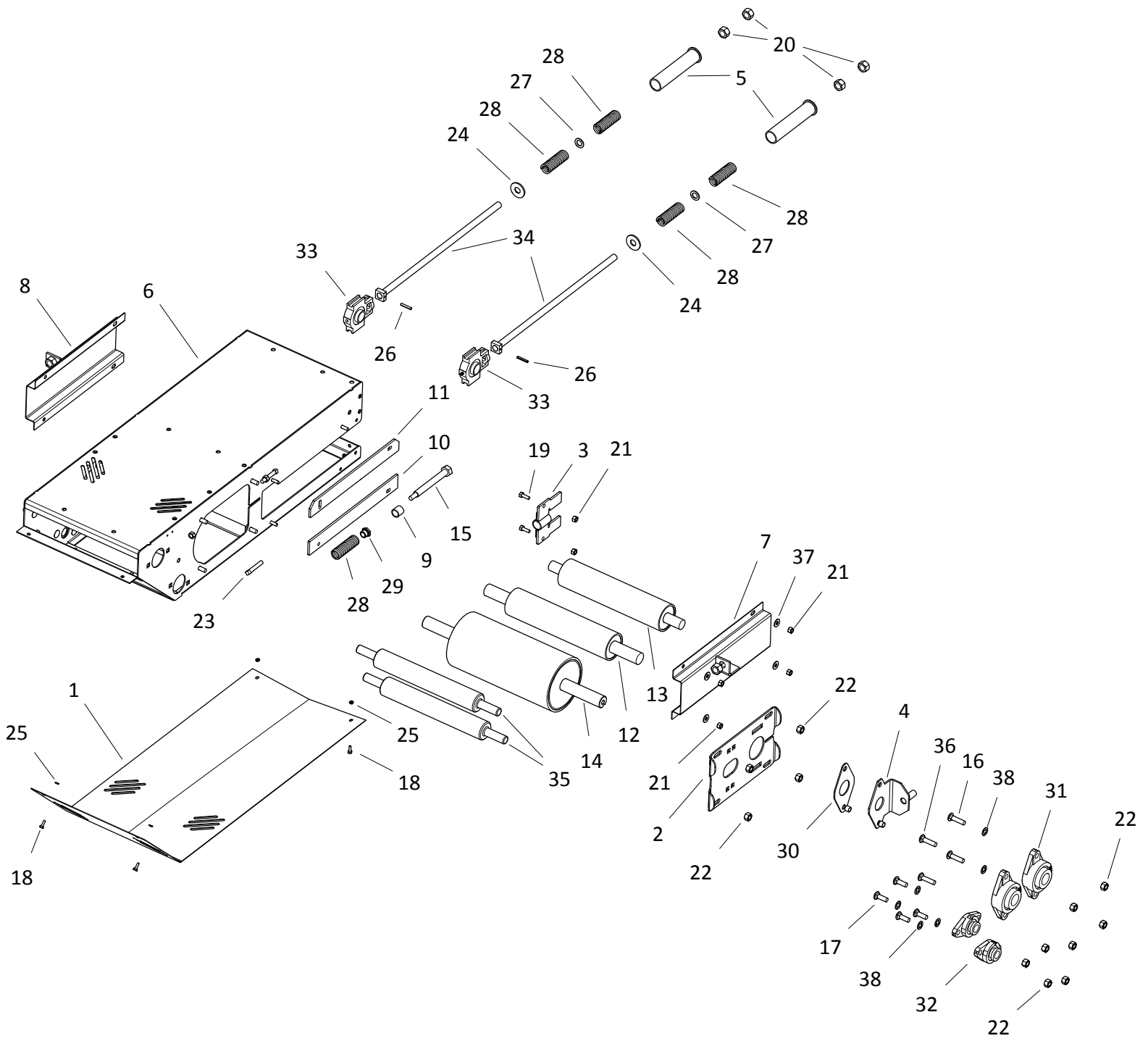
1585 FMD-15508515

| ITEM | PART NO. | DESCRIPTION |
|------|-----------|-------------------------------------|
| 1 | P1211501 | HOOD-ROUND 15 SERIES (KANBAN) |
| 2 | 15000304P | HOPPER -COLLAPSABLE STD |
| 3 | 15590020 | S-DRIVE ASM W/PINCH |
| 4 | 13011038 | PLASTIC TANK SIDE MOUNT W 2.5" CLAM |
| 5 | 13030016 | Tongue |
| 6 | 13030017 | CLEVIS |
| 7 | 13030105 | 1365-85 Axle (6 bolt) |
| 8 | 15020040 | BT HOPPER SECTION 10' WITH SD BKTS |
| 9 | 15020045 | SPOUT SECTION 10' W/CABLE RTRN BKT |
| 10 | 15020051 | BOTTOM TUBE WITH ANCHORS |
| 11 | 15020052 | SUSPENSION BRACKET TUBE |
| 12 | 15020053 | UPPER CENTER 20' TUBE |
| 13 | 15031001 | 65/75 TRANSPORT BRACE |
| 14 | 15031039 | 85 LIFT ARM RIGHT |
| 15 | 15031040 | 85 LIFT ARM LEFT |
| 16 | 15031041 | 85 AXLE ARM |
| 17 | 15031043 | 85 UPPER LIFT ARM BRACE |
| 18 | 15031044 | LOWER LIFT ARM BRACE 85 |
| 19 | 15031045 | LADDER 85 |
| 20 | 15032030 | CROSS BRACE |
| 21 | 15042040 | SD-HOPPER BELT GUARD |
| 22 | 15042093 | SPOUT BOTTOM COVER |
| 23 | 15042094 | HOPPER GUARD BRACKET |
| 24 | 15042102 | WEATHER GUARD 5' FLR - 61-1/2" |
| 25 | 15042121 | WEATHER GUARD 10' - 121-1/2" |
| 26 | 15070009 | HOPPER/SPOUT ROLLER LAGGED |
| 27 | 150100911 | WEATHER GUARD MOUNT BAR KIT-POLY |
| 28 | P0113004 | CARRIAGE BOLT 1/2"X1-1/2"PLATED |
| 29 | P0113013 | CARRIAGE BOLT 7/16"X1" PLATED |
| 30 | P0113020 | CARRIAGE BOLT 5/16"X1-1/2"PLATED |
| 31 | P0118004 | BOLT 1" X 3" GR8 PLATED |
| 32 | P0118007 | BOLT 1" X 4-1/2" GR8 PLATED |
| 33 | P0118033 | BOLT 1/4" X 3/4" GR8 PLATED |
| 34 | P0115303 | CAPSCREW 3/8X1-1/4FLT HD SOCKET PTD |
| 35 | P0118076 | BOLT 7/16"X1" GRADE 8 PLATED |
| 36 | P0118077 | BOLT 7/16"X1-1/2" GRADE 8 PLATED |
| 37 | P0131017 | NUT 5/16" PLATED GRADE 8 |
| 38 | P0134026 | LOCKNUT-NYLON-3/8" GRADE 8 |
| 39 | P0134007 | LOCKNUT-NYLON-7/16" |
| 40 | P0134008 | LOCKNUT-NYLON-1/2" |
| 41 | P0134029 | LOCKNUT-NYLON-3/4" GRADE 8 |
| 42 | P0134030 | LOCKNUT-NYLON-1" GRADE 8 |
| 43 | P0141002 | TEK SCREW 1/4"X1" |
| 44 | P0145002 | SET SCREW-7/16"X2-1/2"SQ.HD. |
| 45 | P0151006 | FLAT WASHER 1/4"PLATED USS |
| 46 | P0151031 | FLAT WASHER 1"PLATED USS |



1585 FMD-15508515

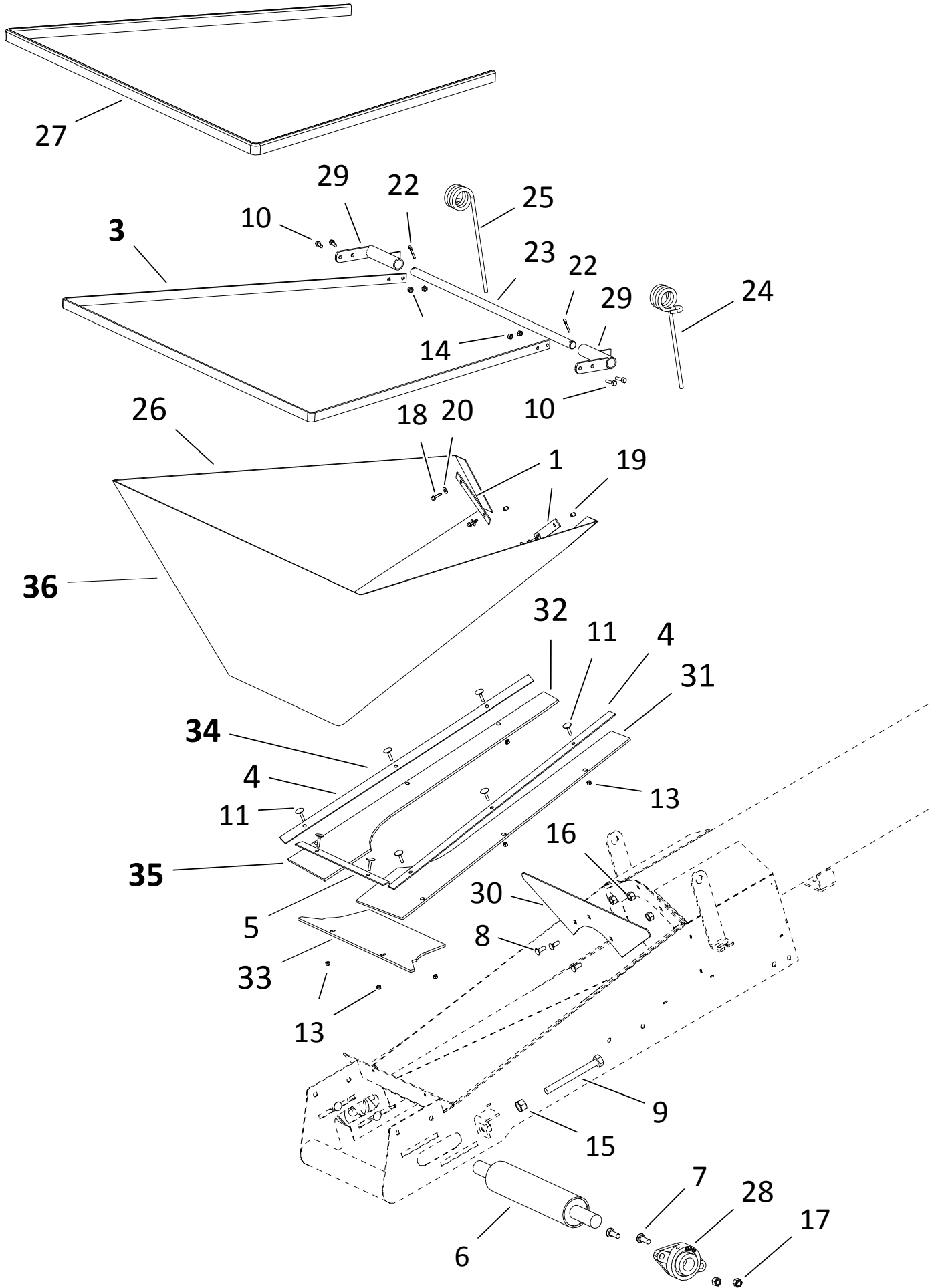
| ITEM | PART NO. | DESCRIPTION |
|------|------------|------------------------------------|
| 47 | P0152004 | LOCK WASHER 1/4" PLATED |
| 48 | P0152010 | LOCK WASHER 5/16" PLATED |
| 49 | P0162001 | HITCH PIN 1/2" X 3" PLATED |
| 52 | P0183012 | U-BOLT 3-1/2" X 3-1/2" X 3/4" PTD |
| 53 | P0183006 | U-BOLT 6" X 2" - PLATED |
| 54 | P0183021 | 3/8" EYE BOLT ASM |
| 55 | P0184033 | WIRE HOSE CLAMP .500" |
| 56 | P0615308 | TIRE ASM -6BLT ST205/75R15 LRC 6PL |
| 57 | P0712109 | CABLE CLAMP-3/8" |
| 58 | P0814036 | HYD CYL 4 X 36 |
| 59 | P0831008 | FUEL LINE-1/4" ID |
| 60 | P1010001 | UNI-MOUNT PLATE CAST |
| 61 | P1012009 | JACK-7000LB SQ.TUBE 25" EXT |
| 62 | P1021006 | ROLLER HEX 15-7/8" |
| 63 | P1210030 | BELT GUIDE BLOCK |
| 64 | P1711001 | FLANGE UNIT-1-1/2"-SAFL208-24 |
| 65 | P2219801P | U-CLAMP HANGER-10"X2-1/2"-BLACK |
| 66 | P2515002 | FRAME BUSHING |
| 67 | 15030015 | HITCH |
| 68 | 15010103 | HIGH CABLE BRIDGE |
| 69 | P021200051 | GAS TANK W/CAP W/FITTING-22L |
| 69 | 1200011 | CAP, FOR RESERVOIR & GAS TANK |
| 70 | P029900216 | GEAR CLAMP 32" |
| 71 | 15570751 | 1575 155' |
| 72 | P07111111 | CABLE-3/8" (112') |
| 73 | P1243001 | CABLE TIE 14" 120 LB |
| 74 | P2227989 | MANUAL HOLDER AND LID |
| 75 | 13060080 | DIRECT DRV CONTROL BOX |
| 76 | P0712113 | THROTTLE CONTROL 10' |
| 77 | P0712103 | CHOKE CABLE-9' LOCKING |



S-DRIVE (15590020)

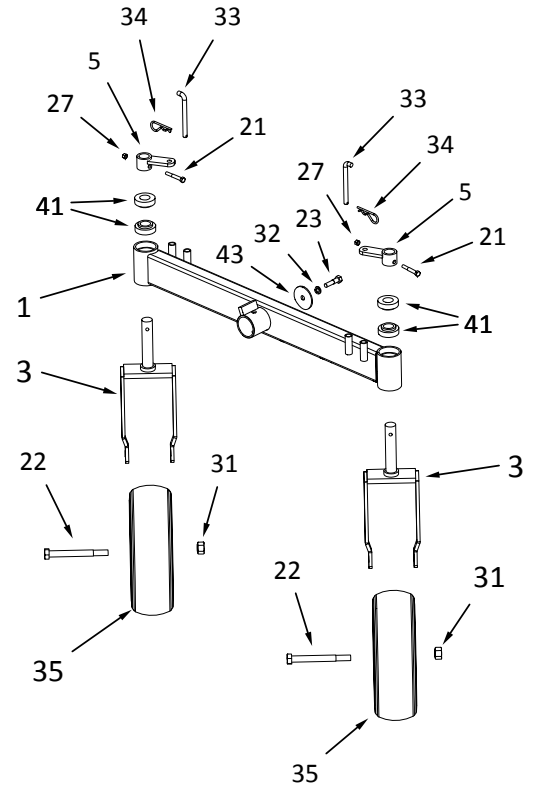
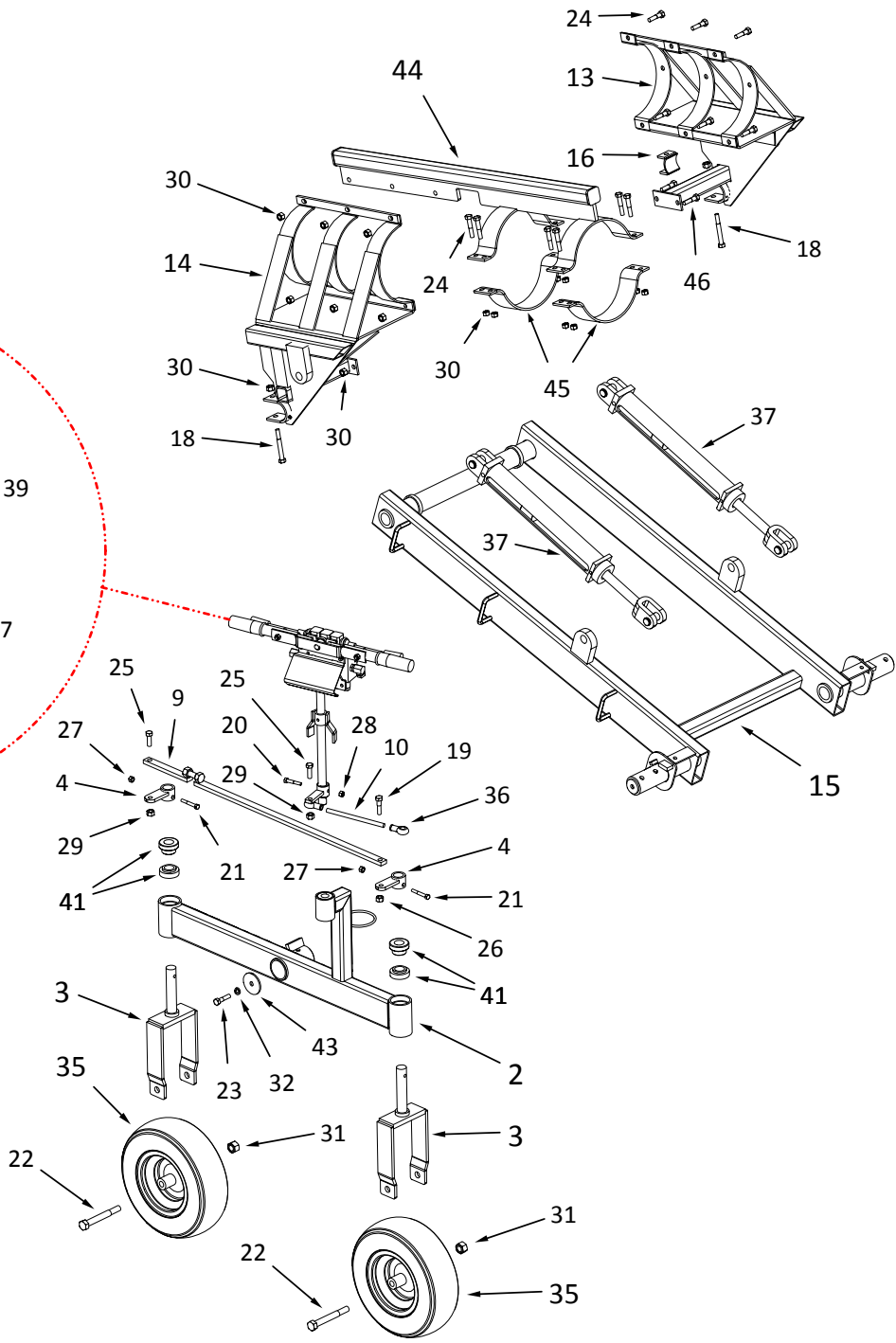
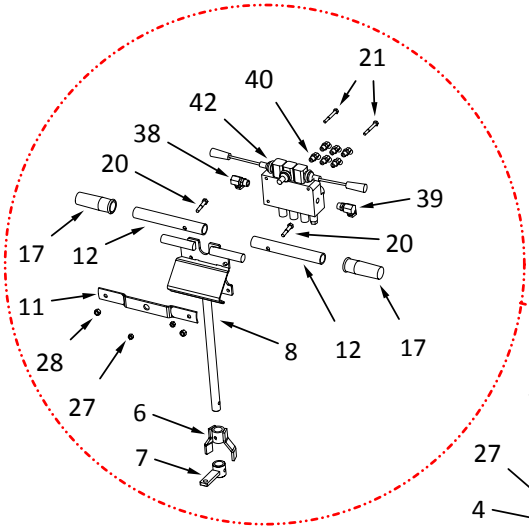
| ITEM | PART NO. | DESCRIPTION |
|------|-----------|-------------------------------------|
| 1 | 15040001 | PINCH SD BOTTOM GUARD |
| 2 | 15060061 | SD COVER PLATE 6-1/2"ROLLER |
| 3 | 15060027 | S-DRIVE TENSION INDICATOR |
| 4 | 15060082 | PINCH TIGHTENER PLATE |
| 5 | 15060504 | PRETENSIONER 1550 |
| 6 | 15061045 | S-DRIVE PINCH |
| 7 | 15061046 | SIDE GUARD LH |
| 8 | 15061047 | SIDE GUARD RH |
| 9 | 15062010 | PINCH PIPE |
| 10 | 15062179 | S-DRIVE SLIDER BOLT PLATE - BOTTOM |
| 11 | 15062180 | S-DRIVE SLIDER BOLT PLATE - TOP |
| 12 | 15070019 | 3-1/2"TAKE-UP (PINCH) |
| 13 | 15070020 | 3-1/2"TAKE-UP 19.5"SHAFT |
| 14 | 15070030 | DRIVE ROLLER-6-1/2" W/EXT SHAFT |
| 15 | P0113000 | SPRING TENSION BOLT |
| 16 | P0113001 | CARRIAGE BOLT 1/2"X2" PLATED |
| 17 | P0113004 | CARRIAGE BOLT 1/2"X1-1/2"PLATED |
| 18 | P0118033 | BOLT 1/4" X 3/4" GR8 PLATED |
| 19 | P0118046 | BOLT 3/8" X 1" GR8 PLATED |
| 20 | P0131019 | NUT 3/4" PLATED GRADE 8 |
| 21 | P0134026 | LOCKNUT-NYLON-3/8" GRADE 8 |
| 22 | P0134008 | LOCKNUT-NYLON-1/2" |
| 23 | P0145004 | SET SCREW-7/16"X1-1/2"SQ.HD.PLATED |
| 24 | P0151015 | FLAT WASHER 3/4"PLATED USS |
| 25 | P0152004 | LOCK WASHER 1/4"PLATED |
| 26 | P0167001 | SPRING PIN 1/4" X 1-1/2" |
| 27 | P0351015 | MACHINERY BUSH 3/4"X1-1/4"-14G PTD. |
| 28 | P0511008 | SPRING-LD-1300 SERIES |
| 29 | P0820129 | BUSHING BRASS FLANGED |
| 30 | P1210102 | BELT TIGHTENER SLIDER PLATE FL208 |
| 31 | P1711001 | FLANGE UNIT-1-1/2"-SAFL208-24 |
| 32 | P1711004 | FLANGE UNIT-1"-SAFL205-16 |
| 33 | P1721001 | TAKE-UP UNIT-1-1/4"-T206-20 |
| 34 | P2515006 | 15 S-DRIVE TIGHTENER BOLT |
| 35 | P20315001 | S-DRIVE RETURN-1" ROLLER |
| 36 | P0113003 | CARRIAGE BOLT 1/2"X2-1/2"PLATED |
| 37 | P0151009 | FLAT WASHER 3/8"PLATED USS |
| 38 | P0151037 | FLAT WASHER 0.531 SQUARE-1.00-0.060 |

HOPPER (15000304P)



HOPPER (15000304P)

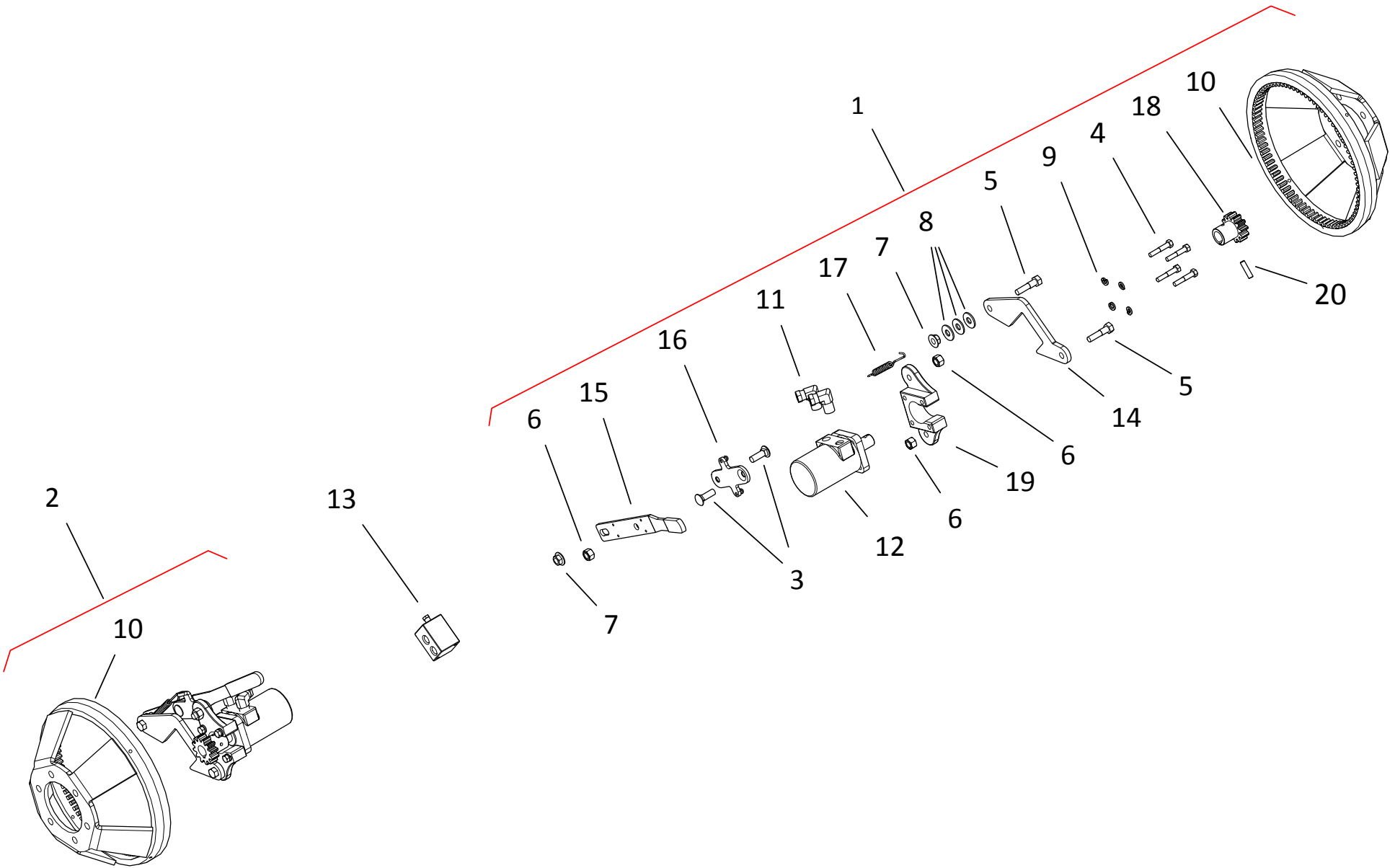
| ITEM | PART NO. | DESCRIPTION |
|------|-----------|---------------------------------|
| 1 | 13052001 | LOWER CLOTH FRAME STD BACK |
| 3 | 15052004 | UPPER CLOTH FRAME STD |
| 4 | 15052101 | LOWER CLOTH FRAME STD SIDE |
| 5 | 15052102 | LOWER CLOTH FRAME STD FRONT |
| 6 | 15070009 | HOPPER/SPOUT ROLLER LAGGED |
| 7 | P0113004 | CARRIAGE BOLT 1/2"X1-1/2"PLATED |
| 8 | P0113015 | CARRIAGE BOLT 3/8"X1" PLATED |
| 9 | P0114007 | TAP BOLT 3/4 X 7 PLATED |
| 10 | P0118061 | BOLT 5/16" X 1" GR8 PLATED |
| 11 | P0116001 | ELEVATOR BOLT 1/4"X1-1/4" |
| 13 | P0131016 | NUT 1/4" PLATED GRADE 8 |
| 14 | P0131017 | NUT 5/16" PLATED GRADE 8 |
| 15 | P0131019 | NUT 3/4" PLATED GRADE 8 |
| 16 | P0134026 | LOCKNUT-NYLON-3/8" GRADE 8 |
| 17 | P0134008 | LOCKNUT-NYLON-1/2" |
| 18 | P0141002 | TEK SCREW 1/4"X1" |
| 19 | P0145001 | VINYL SCREW CAP |
| 20 | P0151006 | FLAT WASHER 1/4"PLATED USS |
| 22 | P0161003 | COTTER PIN 3/16"X1-1/2"PLATED |
| 23 | P0162007 | HOPPER PIVOT SHAFT-13/15 |
| 24 | P0521001 | HOPPER SPRING-L |
| 25 | P0521002 | HOPPER SPRING-R |
| 26 | P1621007 | HOPPER CANVAS-15 CONV. |
| 27 | P1641015 | TRIM LOCK |
| 28 | P1711001 | FLANGE UNIT-1-1/2"-SAFL208-24 |
| 29 | P2515017 | PIVOT SHAFT BRACKET |
| 30 | P11150047 | HOPPER SHIELD |
| 31 | P19159000 | HOPPER LEFT FLASHING STD |
| 32 | P19159001 | HOPPER RIGHT FLASHING STD |
| 33 | P19159002 | HOPPER FRONT FLASHING STD |
| 34 | 15000314 | HOPPER -LINER KIT STD |
| 35 | 15000306P | HOPPER -FLASHING ONLY STD |
| 36 | 15000304P | HOPPER -COLLAPSABLE STD |



WHEEL MOVE

| ITEM | PART NO. | DESCRIPTION |
|------|-------------|-------------------------------------|
| 1 | 13120003 | WALKING BEAM |
| 2 | 13120004 | WALKING BEAM-STEERING |
| 3 | 13120005 | FORK-STRAIGHT |
| 4 | 13120007 | STEERING PIPE |
| 5 | 13120008 | LOCKING PIPE |
| 6 | 13120023 | STEERING STOP |
| 7 | 13120024 | HD CASTOR RETAINER C/W YOKE LINK AR |
| 8 | 13120125 | STEERING WELDMENT |
| 9 | 13122023 | STEERING LINK ARM |
| 10 | 13122076 | LINKAGE - THREADED 1/2X8 ROD |
| 11 | 13122078 | HANDLE JOINT |
| 12 | 13122087 | WM STEERING HANDLE PIPE |
| 13 | 15120001 | WHEEL MOVE BASE LEFT |
| 14 | 15120002 | WHEEL MOVE BASE RIGHT |
| 15 | 15120003 | CAM LIFT |
| 16 | 15120004 | SWIVEL BLOCK |
| 17 | P02-0200344 | HANDLE GRIP 1-1/4" |
| 18 | P0118019 | BOLT 1/2" X 3-1/2" GR8 PLATED |
| 19 | P0118029 | BOLT 1/4" X 2" GR8 PLATED |
| 20 | P0118050 | BOLT 3/8" X 2" GR8 PLATED |
| 21 | P0118063 | BOLT 5/16" X 2-1/2" GR8 PLATED |
| 22 | P0118133 | BOLT 3/4" X 7" GR8 PLATED |
| 23 | P0118016 | BOLT 1/2" X 2" GR8 PLATED |
| 24 | P0118017 | BOLT 1/2"X2-1/2"GRADE 8 PLATED |
| 25 | P0118077 | BOLT 7/16"X1-1/2" GRADE 8 PLATED |
| 26 | P0134023 | LOCKNUT-NYLON-1/4" GR8 |
| 27 | P0134027 | LOCKNUT-NYLON-5/16" GRADE 8 |
| 28 | P0134026 | LOCKNUT-NYLON-3/8" GRADE 8 |
| 29 | P0134007 | LOCKNUT-NYLON-7/16" |
| 30 | P0134008 | LOCKNUT-NYLON-1/2" |
| 31 | P0134029 | LOCKNUT-NYLON-3/4" GRADE 8 |
| 32 | P0152008 | LOCK WASHER 1/2"PLATED |
| 33 | P0162004 | HITCH PIN 1/2" X 5" PLATED |
| 34 | P0163001 | HAIR PIN 3/16" X 3-1/4" |
| 35 | P0614306 | TIRE & RIM 480X8 LRC |
| 36 | P0631010 | TIE ROD END BALL JOINT |
| 37 | P0812516 | HYD CYL-2-1/2X16 |
| 38 | P0820003 | SWIVEL-10ORBX1/2F90 |
| 39 | P0820009 | SWIVEL-6MORBX1/2"FPT/90D |
| 40 | P0820611 | ELBOW-6 ORBX3/8"JIC M 45 |
| 41 | P1742002 | BEARING-1-1/4" |
| 42 | P08610091 | VALVE-3 SPL-W/2 HANDLES |
| 43 | P11130185 | AXLE END CAP |
| 44 | 15060022 | MOVER FLANGE SUPPORT |
| 45 | P2513203P | 3" U-CLAMP PAINTED |
| 46 | P0118013 | BOLT 1/2"X1 1/2" GR.8 PLATED |

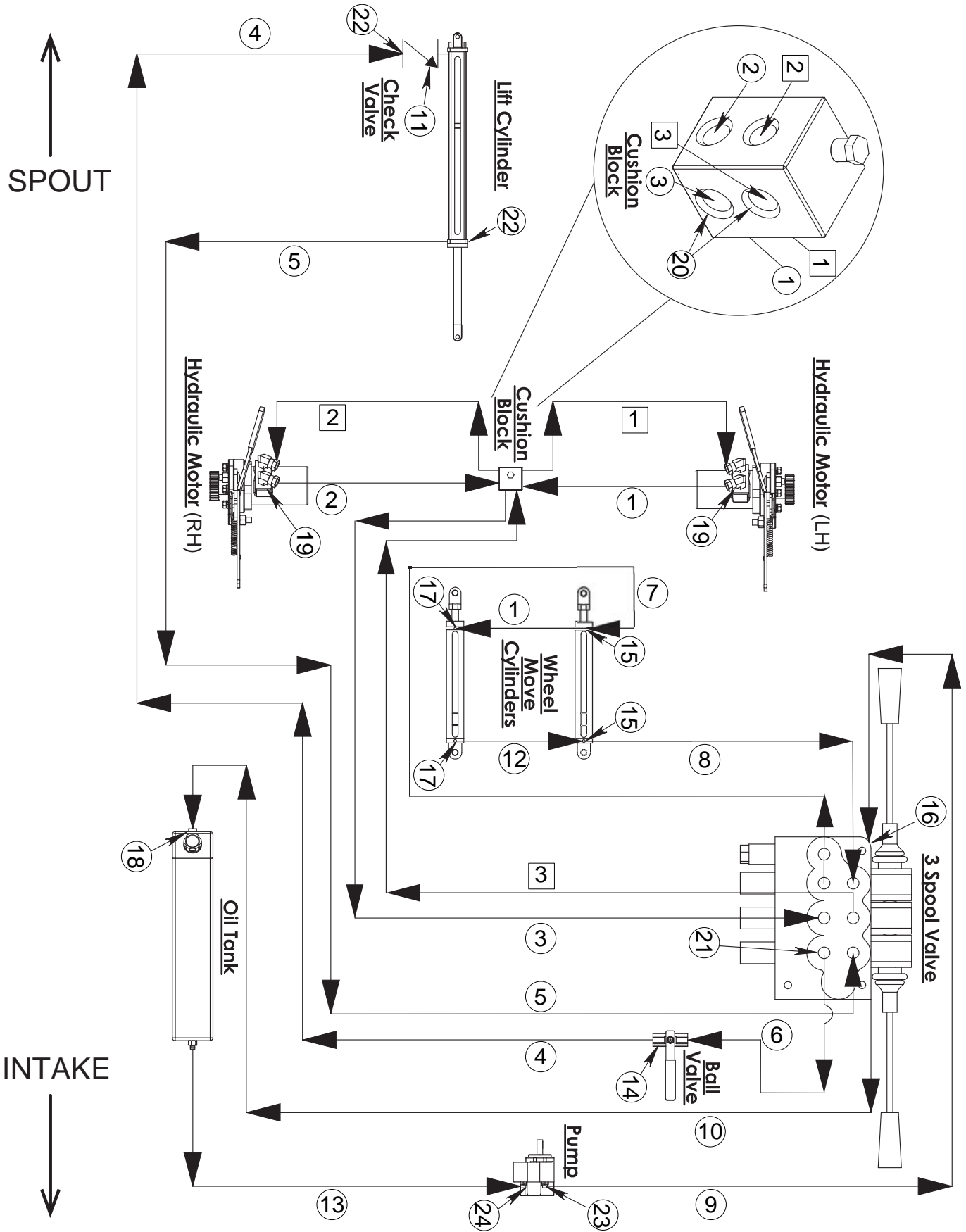
WHEEL MOVE DRIVE SYSTEM (13000144)



WHEEL MOVE DRIVE SYSTEM (13000144)

| ITEM | PART NO. | DESCRIPTION |
|------|-------------|------------------------------------|
| 1 | 13000120 | WM DRIVE PINION GEAR ASSY - RIGHT |
| 2 | 13000121 | WM DRIVE PINION GEAR ASSY - LEFT |
| 3 | P0113004 | CARRIAGE BOLT 1/2"X1-1/2"PLATED |
| 4 | P0118050 | BOLT 3/8" X 2" GR8 PLATED |
| 5 | P0118016 | BOLT 1/2" X 2" GR8 PLATED |
| 6 | P0134008 | LOCKNUT-NYLON-1/2" |
| 7 | P0134108 | LOCKNUT-TENSILOCK-1/2" |
| 8 | P0151029 | FLAT WASHER 1/2"PLATED USS |
| 9 | P0152006 | LOCK WASHER 3/8"PLATED |
| 10 | P0615314 | RING GEAR - 6 BOLT C/W MOUNT PLATE |
| 11 | P0820013 | SWIVEL-1/2MX3/8F90 |
| 12 | P0841012 | HYD MOTOR-6.3 (5.9H) RS-1/2" HOLE |
| 13 | P0861201 | CUSHION BLOCK, COMPLETE |
| 14 | P11130126 | WHEEL-MOVE AXLE TAB 3" |
| 15 | P020200007 | HANDLE WITH GRIP |
| 16 | 15121033 | PAINTED HANDLE LINK ARM |
| 17 | P020200009 | HANDLE SPRING |
| 18 | P020200333 | PINION GEAR-1"ID 3/8"HOLE |
| 19 | P020200338A | MOTOR ARM -EYEGLOSS PIECE, DRILLED |
| 20 | P0167101 | ROLL PIN SLOTTED 3/8" X 1-1/2" |
| 21 | P0163011 | HAIR PIN 5/32X2-15/16 (66326) |
| 22 | P0821127 | SWIVEL-3/8"-STR. |

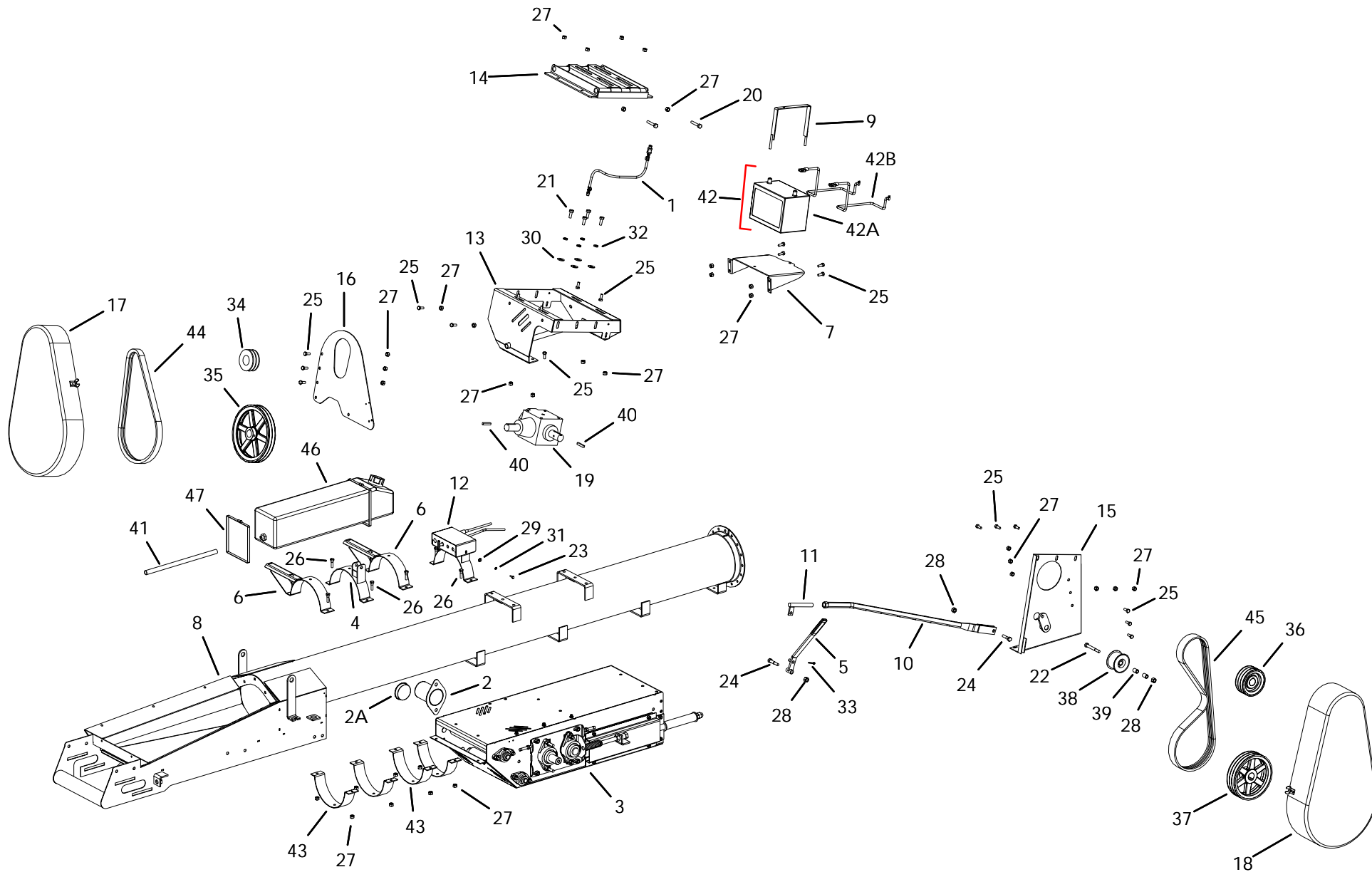
WHEEL MOVE HYDRAULIC SCHEMATIC



WHEEL MOVE HYDRAULIC SCHEMATIC

| ITEM | PART NO. | DESCRIPTION |
|------|------------|------------------------------------|
| 1 | P0832020 | HOSE 3/8(4'6")-3/8MPT-3/8MPT PC |
| 2 | P0832038 | HOSE 3/8(9')-3/8MPT-3/8MPT PC |
| 3 | P0832050 | HOSE 3/8(45')-3/8MPT-3/8FJIC PC |
| 4 | P0832049 | HOSE 3/8(45')-1/2MPT-1/2MPT PC |
| 5 | P0832042 | HOSE 3/8(55'6")-1/2MPT-3/8FJICX PC |
| 6 | P0832043 | HOSE 3/8(10'6")-1/2MPT-3/8FJIC PC |
| 7 | P0832026 | HOSE 3/8(7')-3/8FJICX-3/8MPT PC |
| 8 | P0832040 | HOSE 3/8(5'10")-3/8MPT-3/8FJICX PC |
| 9 | P0832053 | HOSE 1/2(11'6")-1/2"MPT-1/2"MPT PC |
| 10 | P0832031 | HOSE 1/2(15')-1/2MPT-1/2MPT PC |
| 11 | P0861035 | CHECK VALVE-1/2" (NO HOLE) |
| 12 | P0832029 | HOSE 3/8(5'6")-3/8MPT-3/8MPT PC |
| 13 | 01010148 | HOSE 3/4(5')-HOSE-HOSE |
| 14 | P0861001 | BALL VALVE-1/2" |
| 15 | P029900791 | TEE-3/8"FSX3/8"MX3/8"FS |
| 16 | P0820010 | SWIVEL-8MORBX1/2"FPT/90D |
| 17 | P0820007 | SWIVEL-3/8"PT/90D |
| 18 | P0821112 | SWIVEL-1/2" STRAIGHT |
| 19 | P0820013 | SWIVEL-1/2MX3/8F90 |
| 20 | P0821127 | SWIVEL-3/8"-STR. |
| 21 | P0820611 | ELBOW-6 ORBX3/8"JIC M 45 |
| 22 | P0820001 | SWIVEL-1/2"90 DEGREE |
| 23 | P0821129 | SWIVEL-6MORBX1/2"FPT |
| 24 | P0820702 | HOSE BARB-10MORBX3/4"HOSE |

GAS DIRECT DRIVE KIT (15593100)



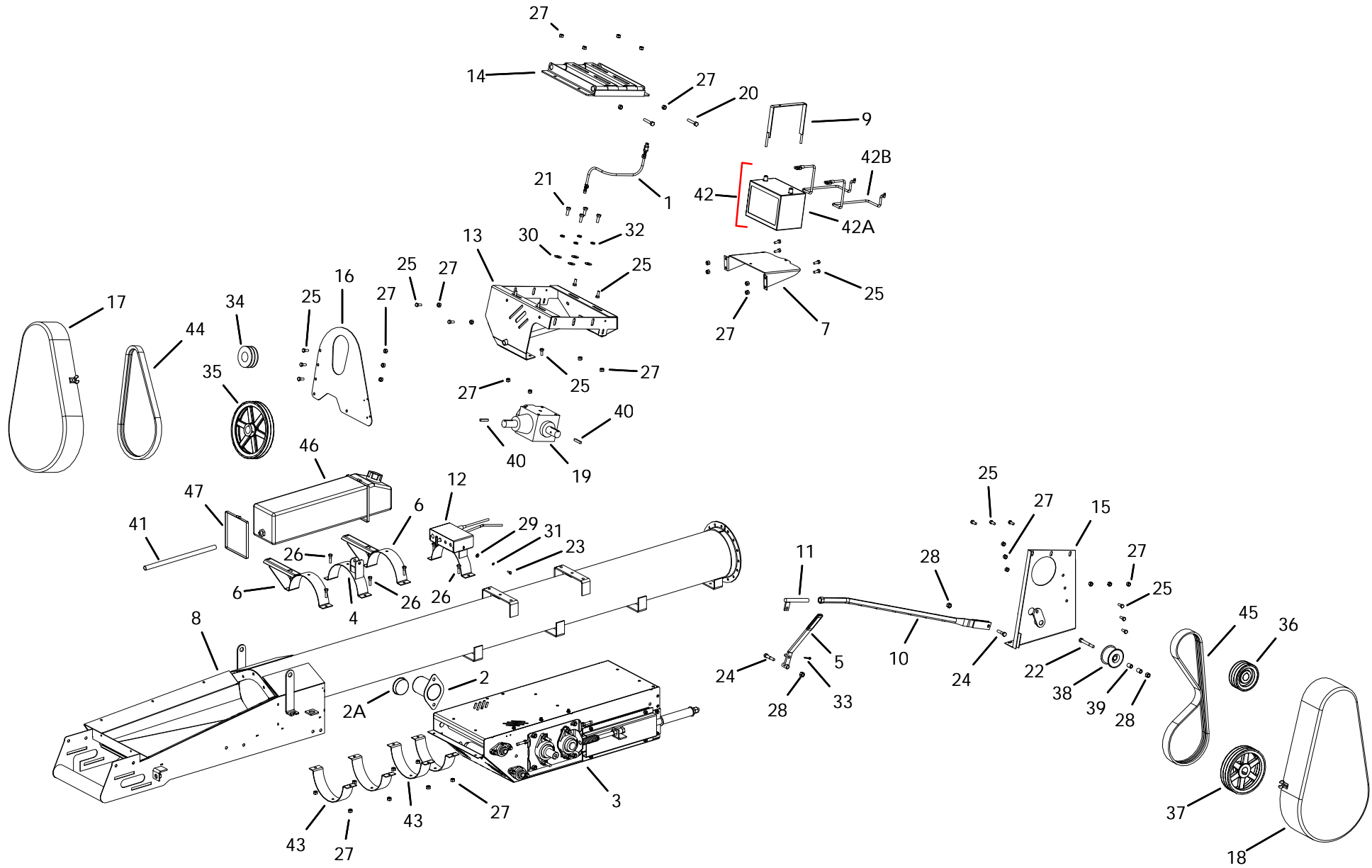
Note: Gas Drive Kit (15593100) does not include item # 8, 34 & 42.

GAS DIRECT DRIVE KIT (15593100)

| ITEM | PART NO. | DESCRIPTION |
|------|------------|-------------------------------------|
| 1 | 01010003 | BREATHER DIRECT DRIVE |
| 2 | 24041038 | SHAFT GUARD(FL-210) |
| 3 | 15590020 | S-DRIVE ASM W/PINCH |
| 4 | 13010048 | MOTOR MT OVERCENTER ANCHOR BKT |
| 5 | 13010054 | MOTOR MT OVERCENTER HANDLE |
| 6 | 13011038 | PLASTIC TANK SIDE MOUNT W 2.5" CLAM |
| 7 | 13012108 | MOTOR MOUNT BATTERY MOUNT |
| 8 | 13020040 | BT HOPPER SECTION 10' WITH SD BKTS |
| 9 | 13060054 | BATTERY CLAMP |
| 10 | 13060068 | MOTOR MT OVERCENTER PUSHROD |
| 11 | 13060074 | OVERCENTER ADJUSTER |
| 12 | 13060080 | DIRECT DRV CONTROL BOX |
| 13 | 13060102 | MOTOR MOUNT |
| 14 | 13060103 | SLIDER MOUNT |
| 15 | 13060105 | MOTOR MOUNT BACK PLATE |
| 16 | 13060107 | ENGINE GUARD BACK |
| 17 | 15040055 | PINCH GUARD SMALL ASSEMBLED |
| 18 | 15040056 | PINCH GUARD MED ASSEMBLED |
| 19 | 15591001 | GBOX 90 2:1 CW/CW 1-1/2 4190 W/OIL |
| 20 | P0114005 | TAP BOLT 1/2 X 2-1/2 GR.8 PLATED |
| 21 | P0118020 | BOLT 1/2" X 1-1/4" GR8 PLATED |
| 22 | P0118130 | BOLT 1/2" X 4" GR8 PLATED |
| 23 | P0118033 | BOLT 1/4" X 3/4" GR8 PLATED |
| 24 | P0118016 | BOLT 1/2" X 2" GR8 PLATED |
| 25 | P0118076 | BOLT 7/16"X1" GRADE 8 PLATED |
| 26 | P0118077 | BOLT 7/16"X1-1/2" GRADE 8 PLATED |
| 27 | P0134007 | LOCKNUT-NYLON-7/16" |
| 28 | P0134008 | LOCKNUT-NYLON-1/2" |
| 29 | P0151006 | FLAT WASHER 1/4"PLATED USS |
| 30 | P0151029 | FLAT WASHER 1/2"PLATED USS |
| 31 | P0152004 | LOCK WASHER 1/4"PLATED |
| 32 | P0152008 | LOCK WASHER 1/2"PLATED |
| 33 | P0161003 | COTTER PIN 3/16"X1-1/2"PLATED |
| 34 | P0328018 | PULLEY-DBL-BK-4"H |
| 35 | P0328024 | PULLEY-DBL-12" W/1-1/2"BORE |
| 36 | P0328050 | PULLEY-TRPL-6" W/1-1/2"BORE |
| 37 | P0328079 | PULLEY-TRPL-10" W/1-1/2"BORE |
| 38 | P0328910 | IDLER-FLAT-4"TRPL 2-7/16"WIDE |
| 39 | P0351019 | DNR-BUSHING 3/4"ODX1/2"IDX1"BRONZE |
| 40 | P0391002 | KEY 3/8" X 2" LONG |
| 41 | P0831008 | FUEL LINE-1/4"ID |
| 42 | P0951013 | BATTERY 420CCA |
| 43 | P2219801P | U-CLAMP HANGER-10"X2-1/2"-BLACK |
| 44 | P03210531 | BELT 2B53 BANDED |
| 45 | P03210652 | BELT 3B65 BANDED |
| 46 | P021200051 | GAS TANK W/CAP W/FITTING-22L |

GAS DIRECT DRIVE KIT (15593100)

290

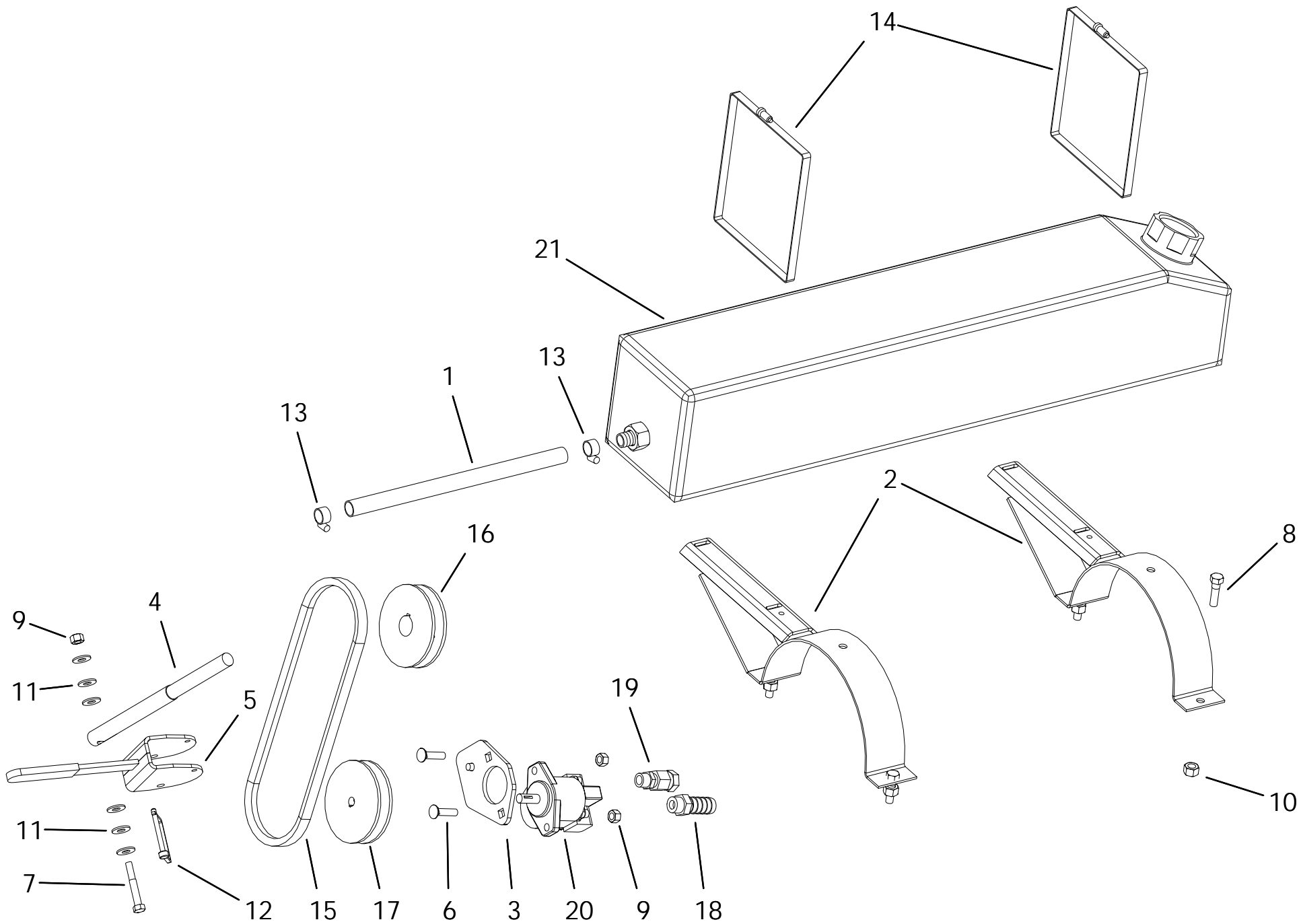


Note: Gas Drive Kit (15593100) does not include item # 8, 34 & 42.

GAS DIRECT DRIVE KIT (15593100)

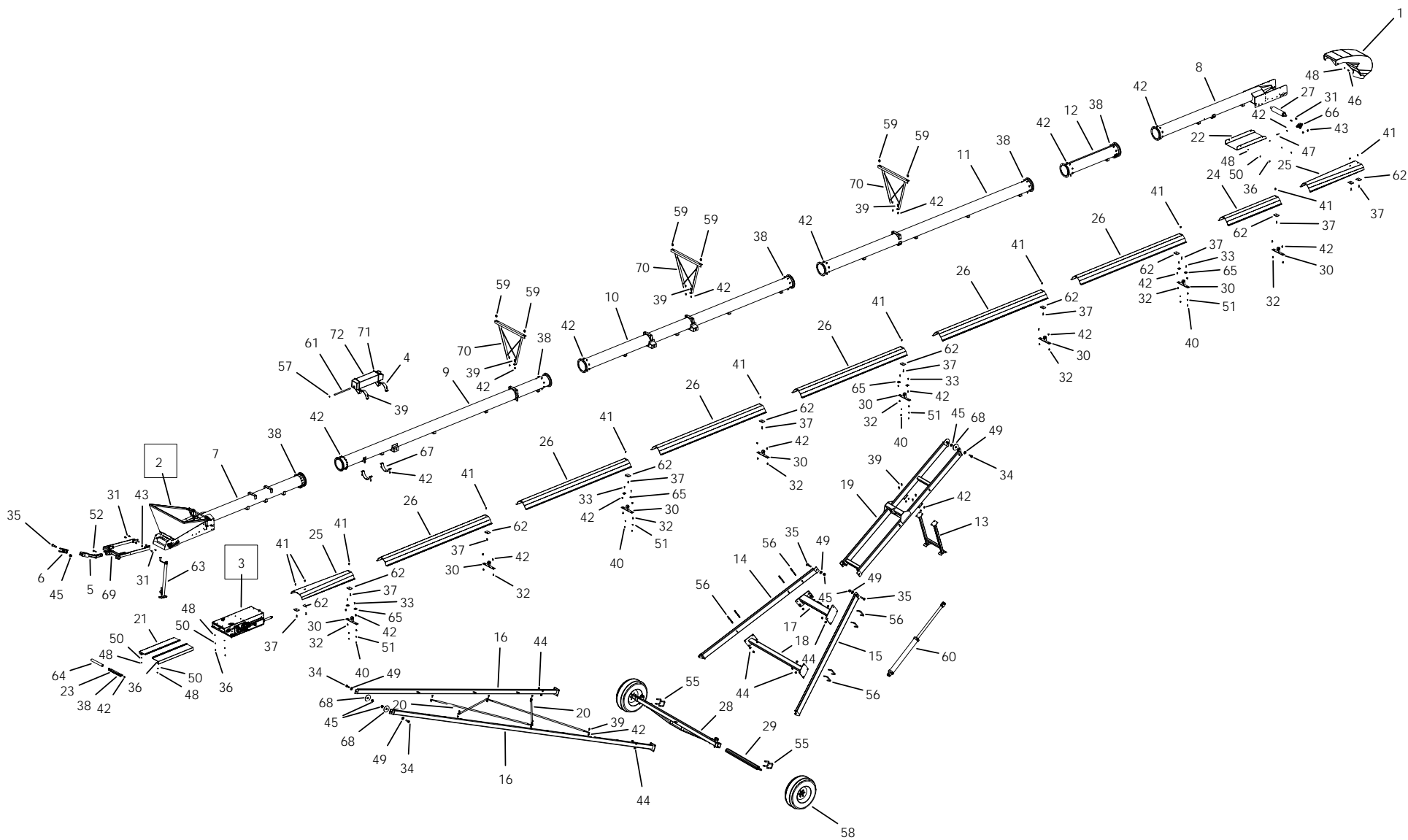
| ITEM | PART NO. | DESCRIPTION |
|-------------|-----------------|-------------------------------|
| 46 | 1200011 | CAP, FOR RESERVOIR & GAS TANK |
| 47 | P029900216 | GEAR CLAMP 32" |

WET KIT GAS (1559408X) - 45



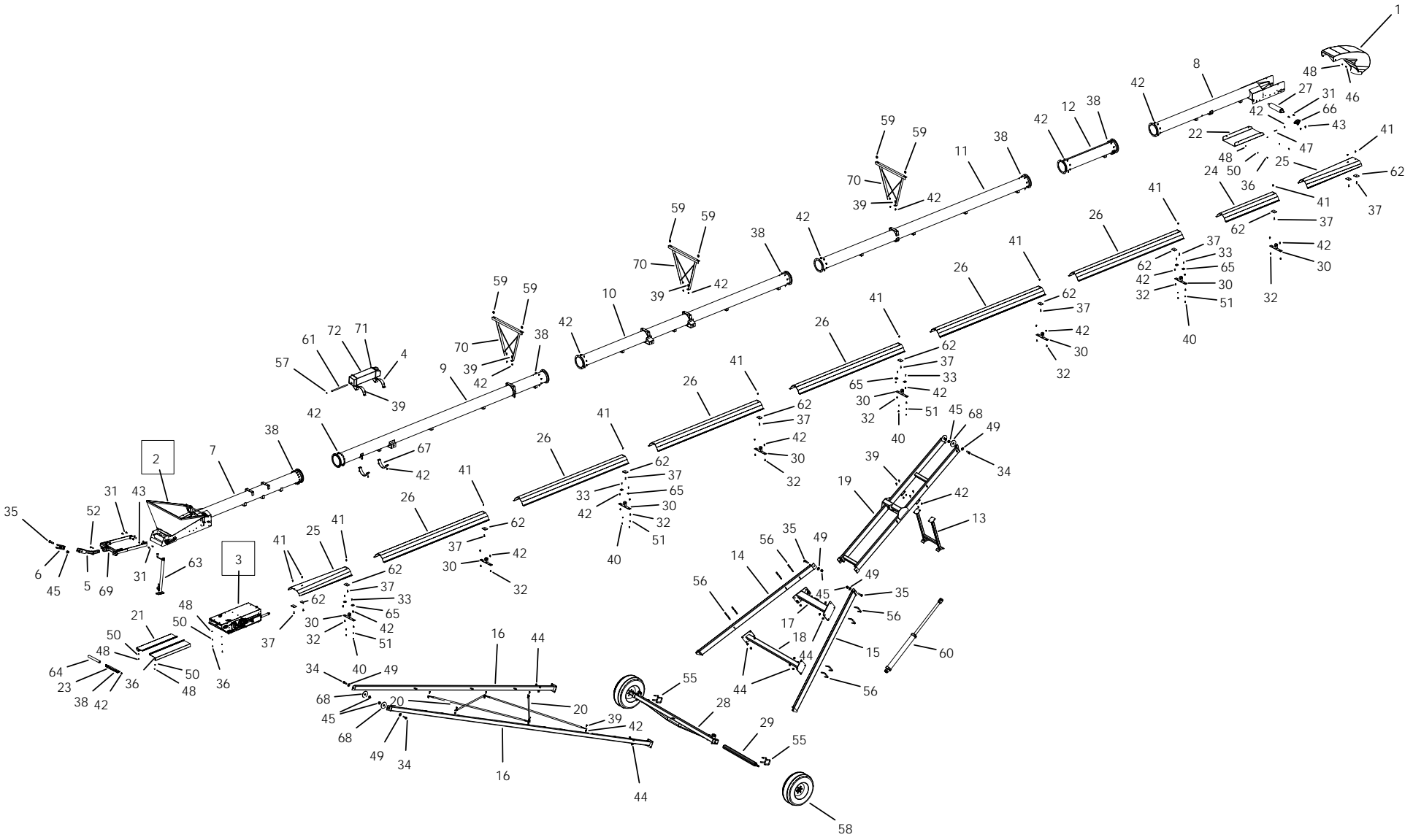
WET KIT GAS (1559408X) - 45

| ITEM | PART NO. | DESCRIPTION |
|------|--------------|-------------------------------------|
| 1 | 01010188 | HOSE 3/4(9')-HOSE-HOSE |
| 2 | 13011038 | PLASTIC TANK SIDE MOUNT W 2.5" CLAM |
| 3 | 13060104 | PUMP MOUNT -PINCH DRIVE |
| 4 | 13100028 | PIVOT HANDLE SHAFT |
| 5 | 13100035 | PIVOT HANDLE |
| 6 | P0113018 | CARRIAGE BOLT 3/8"X1 1/2"PLATED |
| 7 | P0118051 | BOLT 3/8" X 2-1/2" GR8 PLATED |
| 8 | P0118077 | BOLT 7/16"X1-1/2" GRADE 8 PLATED |
| 9 | P0134026 | LOCKNUT-NYLON-3/8" GRADE 8 |
| 10 | P0134007 | LOCKNUT-NYLON-7/16" |
| 11 | P0151009 | FLAT WASHER 3/8"PLATED USS |
| 12 | P0163010 | QUICK PIN 1/4X2-1/2 |
| 13 | P0184006 | HOSE CLAMP-3/4"(HS12) |
| 14 | P029900216 | GEAR CLAMP 32" |
| 15 | P0321035 | BELT B35 |
| 16 | P0328905 | PULLEY-4-1/2"X1-1/8" |
| 17 | P0328906 | PULLEY-4-1/2"X1/2" |
| 18 | P0820702 | HOSE BARB-10MORBX3/4"HOSE |
| 19 | P0821130 | SWIVEL-8 ORBX1/2"FPS |
| 20 | P0841033 | PUMP-SMALL |
| 20 | P0841033S | PUMP-0.375 CW/END PORTS SEAL |
| 21 | P029900052-3 | TANK, 22L, BLK W/FTG, CAP HOSE |



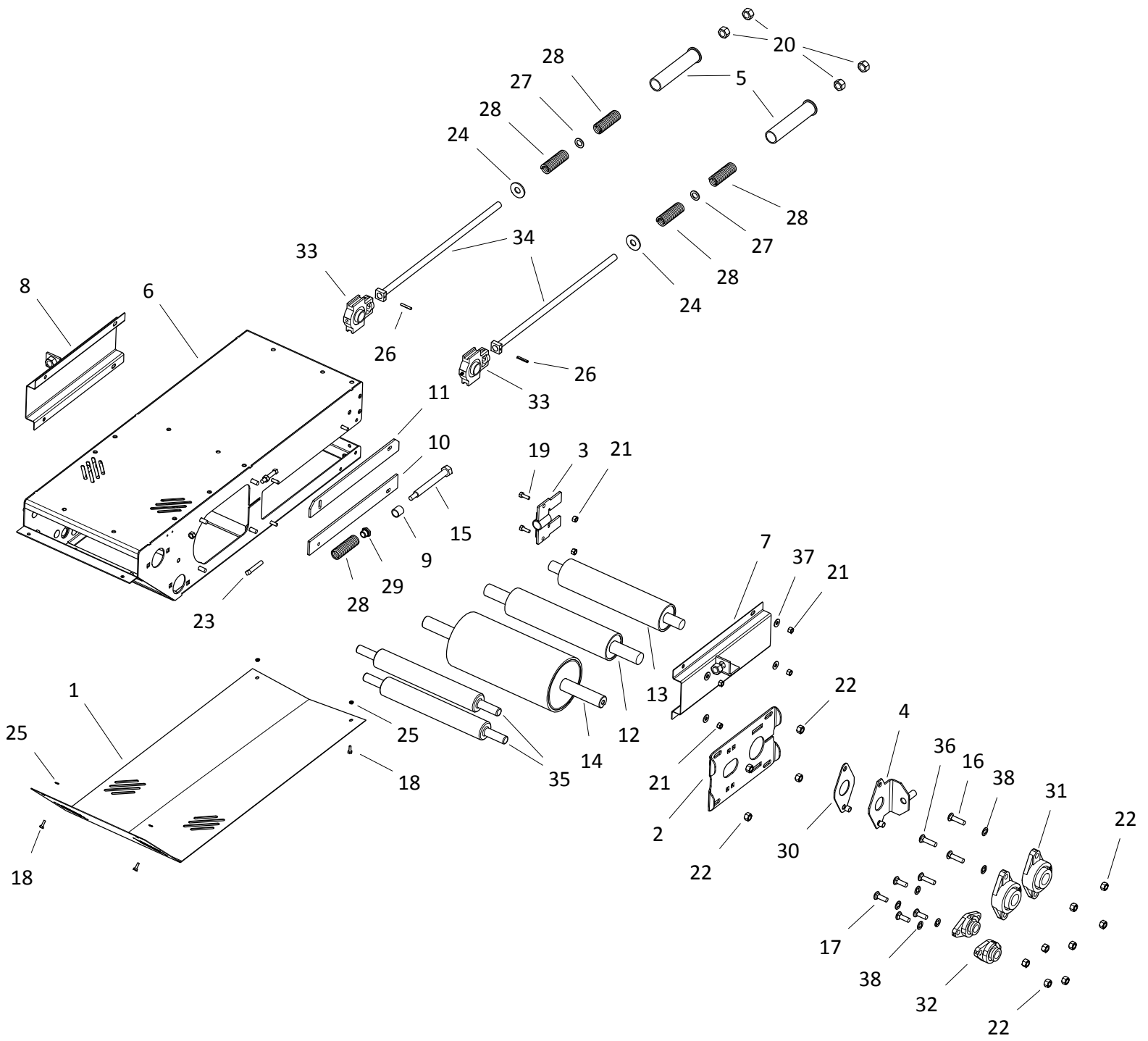
1590 FMD-15509015

| ITEM | PART NO. | DESCRIPTION |
|------|-----------|-------------------------------------|
| 1 | P1211501 | HOOD-ROUND 15 SERIES (KANBAN) |
| 2 | 15000304P | HOPPER -COLLAPSABLE STD |
| 3 | 15590020 | S-DRIVE ASM W/PINCH |
| 4 | 13011038 | PLASTIC TANK SIDE MOUNT W 2.5" CLAM |
| 5 | 13030016 | Tongue |
| 6 | 13030017 | CLEVIS |
| 7 | 15020040 | BT HOPPER SECTION 10' WITH SD BKTS |
| 8 | 15020045 | SPOUT SECTION 10' W/CABLE RTRN BKT |
| 9 | 15020051 | BOTTOM TUBE WITH ANCHORS |
| 10 | 15020052 | SUSPENSION BRACKET TUBE |
| 11 | 15020053 | UPPER CENTER 20' TUBE |
| 12 | 15020058 | CENTER 5' TUBE -90 |
| 13 | 15031038 | 85 TRANSPORT BRACE |
| 14 | 15031039 | 85 LIFT ARM RIGHT |
| 15 | 15031040 | 85 LIFT ARM LEFT |
| 16 | 15031041 | 85 AXLE ARM |
| 17 | 15031043 | 85 UPPER LIFT ARM BRACE |
| 18 | 15031044 | LOWER LIFT ARM BRACE 85 |
| 19 | 15031045 | LADDER 85 |
| 20 | 15032030 | CROSS BRACE |
| 21 | 15042040 | SD-HOPPER BELT GUARD |
| 22 | 15042093 | SPOUT BOTTOM COVER |
| 23 | 15042094 | HOPPER GUARD BRACKET |
| 24 | 15042101 | WEATHER GUARD 5' - 61-1/2" |
| 25 | 15042102 | WEATHER GUARD 5' FLR - 61-1/2" |
| 26 | 15042121 | WEATHER GUARD 10' - 121-1/2" |
| 27 | 15070009 | HOPPER/SPOUT ROLLER LAGGED |
| 28 | 20030109 | AXLE EXTENDABLE 85 |
| 29 | 20030500 | AXLE EXTENSION (WITH 6 LUGS) |
| 30 | 150100911 | WEATHER GUARD MOUNT BAR KIT-POLY |
| 31 | P0113004 | CARRIAGE BOLT 1/2"X1-1/2"PLATED |
| 32 | P0113013 | CARRIAGE BOLT 7/16"X1" PLATED |
| 33 | P0113020 | CARRIAGE BOLT 5/16"X1-1/2"PLATED |
| 34 | P0118004 | BOLT 1" X 3" GR8 PLATED |
| 35 | P0118007 | BOLT 1" X 4-1/2" GR8 PLATED |
| 36 | P0118033 | BOLT 1/4" X 3/4" GR8 PLATED |
| 37 | P0115303 | CAPSCREW 3/8X1-1/4FLT HD SOCKET PTD |
| 38 | P0118076 | BOLT 7/16"X1" GRADE 8 PLATED |
| 39 | P0118077 | BOLT 7/16"X1-1/2" GRADE 8 PLATED |
| 40 | P0131017 | NUT 5/16" PLATED GRADE 8 |
| 41 | P0134026 | LOCKNUT-NYLON-3/8" GRADE 8 |
| 42 | P0134007 | LOCKNUT-NYLON-7/16" |
| 43 | P0134008 | LOCKNUT-NYLON-1/2" |
| 44 | P0134029 | LOCKNUT-NYLON-3/4" GRADE 8 |
| 45 | P0134030 | LOCKNUT-NYLON-1" GRADE 8 |
| 46 | P0141002 | TEK SCREW 1/4"X1" |



1590 FMD-15509015

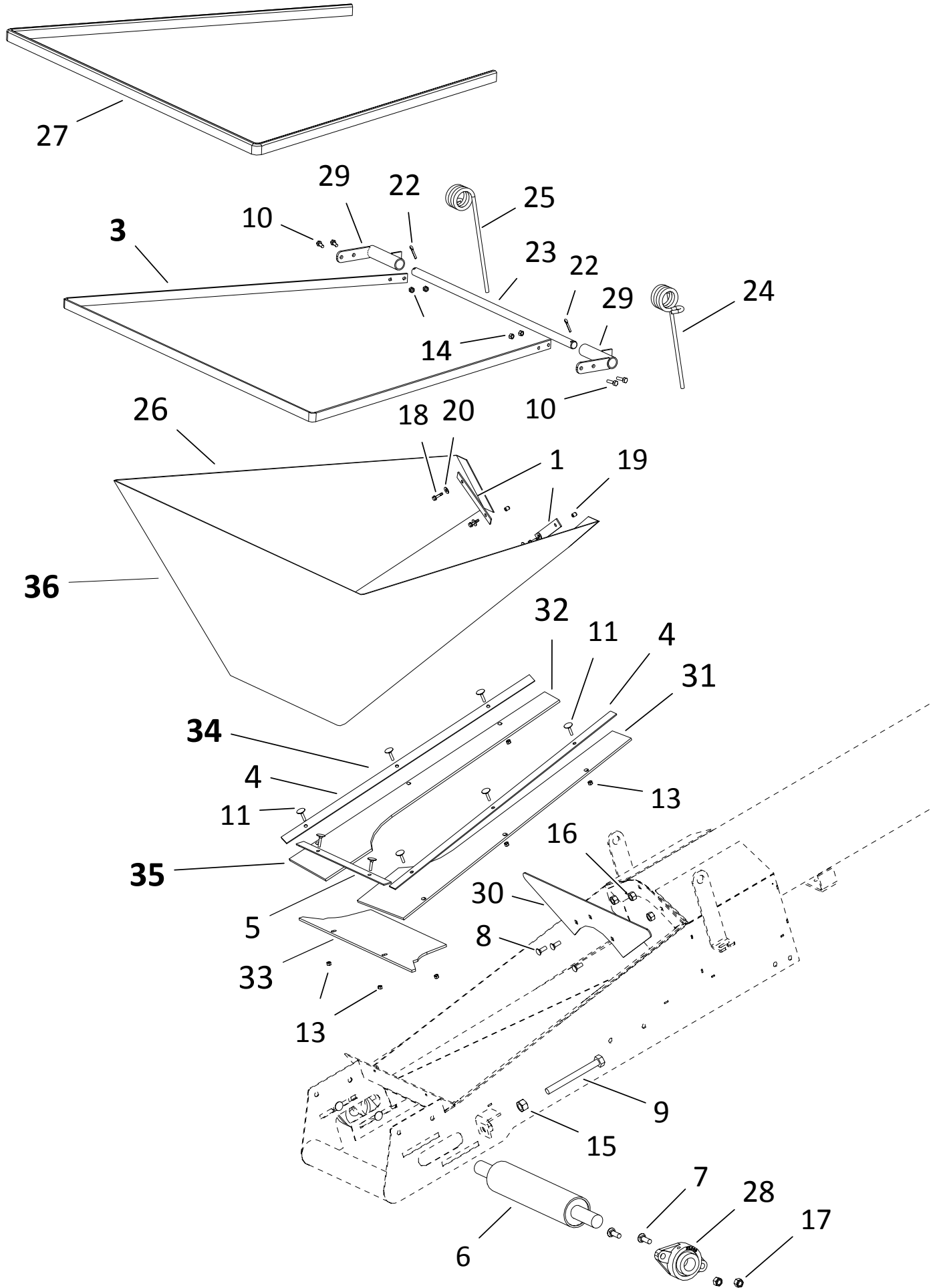
| ITEM | PART NO. | DESCRIPTION |
|------|------------|------------------------------------|
| 47 | P0145002 | SET SCREW-7/16"X2-1/2"SQ.HD. |
| 48 | P0151006 | FLAT WASHER 1/4"PLATED USS |
| 49 | P0151031 | FLAT WASHER 1"PLATED USS |
| 50 | P0152004 | LOCK WASHER 1/4"PLATED |
| 51 | P0152010 | LOCK WASHER 5/16"PLATED |
| 52 | P0162001 | HITCH PIN 1/2" X 3" PLATED |
| 55 | P0183004 | U-BOLT 3" X 3" -PLATED |
| 56 | P0183005 | U-BOLT 5"X2" (3/4") PTD |
| 57 | P0184033 | WIRE HOSE CLAMP .500" |
| 58 | P0615308 | TIRE ASM -6BLT ST205/75R15 LRC 6PL |
| 59 | P0712109 | CABLE CLAMP-3/8" |
| 60 | P0814036 | HYD CYL 4 X 36 |
| 61 | P0831008 | FUEL LINE-1/4"ID |
| 62 | P1010001 | UNI-MOUNT PLATE CAST |
| 63 | P1012009 | JACK-7000LB SQ.TUBE 25" EXT |
| 64 | P1021006 | ROLLER HEX 15-7/8" |
| 65 | P1210030 | BELT GUIDE BLOCK |
| 66 | P1711001 | FLANGE UNIT-1-1/2"-SAFL208-24 |
| 67 | P2219801P | U-CLAMP HANGER-10"X2-1/2"-BLACK |
| 68 | P2515002 | FRAME BUSHING |
| 69 | 15030015 | HITCH |
| 70 | 15010103 | HIGH CABLE BRIDGE |
| 71 | P029900216 | GEAR CLAMP 32" |
| 72 | P021200051 | GAS TANK W/CAP W/FITTING-22L |
| 72 | 1200011 | CAP,FOR RESERVOIR & GAS TANK |
| 73 | 15570901 | 1590 185' |
| 74 | P0183021 | 3/8" EYE BOLT ASM |
| 75 | P07111112 | CABLE-3/8" (136') |
| 76 | P07111115 | CABLE-3/8" (68') |
| 77 | P1243001 | CABLE TIE 14" 120 LB |
| 78 | P2227989 | MANUAL HOLDER AND LID |
| 79 | 13060080 | DIRECT DRV CONTROL BOX |
| 80 | P0712113 | THROTTLE CONTROL 10' |
| 81 | P0712103 | CHOKE CABLE-9' LOCKING |



S-DRIVE (15590020)

| ITEM | PART NO. | DESCRIPTION |
|------|-----------|-------------------------------------|
| 1 | 15040001 | PINCH SD BOTTOM GUARD |
| 2 | 15060061 | SD COVER PLATE 6-1/2"ROLLER |
| 3 | 15060027 | S-DRIVE TENSION INDICATOR |
| 4 | 15060082 | PINCH TIGHTENER PLATE |
| 5 | 15060504 | PRETENSIONER 1550 |
| 6 | 15061045 | S-DRIVE PINCH |
| 7 | 15061046 | SIDE GUARD LH |
| 8 | 15061047 | SIDE GUARD RH |
| 9 | 15062010 | PINCH PIPE |
| 10 | 15062179 | S-DRIVE SLIDER BOLT PLATE - BOTTOM |
| 11 | 15062180 | S-DRIVE SLIDER BOLT PLATE - TOP |
| 12 | 15070019 | 3-1/2"TAKE-UP (PINCH) |
| 13 | 15070020 | 3-1/2"TAKE-UP 19.5"SHAFT |
| 14 | 15070030 | DRIVE ROLLER-6-1/2" W/EXT SHAFT |
| 15 | P0113000 | SPRING TENSION BOLT |
| 16 | P0113001 | CARRIAGE BOLT 1/2"X2" PLATED |
| 17 | P0113004 | CARRIAGE BOLT 1/2"X1-1/2"PLATED |
| 18 | P0118033 | BOLT 1/4" X 3/4" GR8 PLATED |
| 19 | P0118046 | BOLT 3/8" X 1" GR8 PLATED |
| 20 | P0131019 | NUT 3/4" PLATED GRADE 8 |
| 21 | P0134026 | LOCKNUT-NYLON-3/8" GRADE 8 |
| 22 | P0134008 | LOCKNUT-NYLON-1/2" |
| 23 | P0145004 | SET SCREW-7/16"X1-1/2"SQ.HD.PLATED |
| 24 | P0151015 | FLAT WASHER 3/4"PLATED USS |
| 25 | P0152004 | LOCK WASHER 1/4"PLATED |
| 26 | P0167001 | SPRING PIN 1/4" X 1-1/2" |
| 27 | P0351015 | MACHINERY BUSH 3/4"X1-1/4"-14G PTD. |
| 28 | P0511008 | SPRING-LD-1300 SERIES |
| 29 | P0820129 | BUSHING BRASS FLANGED |
| 30 | P1210102 | BELT TIGHTENER SLIDER PLATE FL208 |
| 31 | P1711001 | FLANGE UNIT-1-1/2"-SAFL208-24 |
| 32 | P1711004 | FLANGE UNIT-1"-SAFL205-16 |
| 33 | P1721001 | TAKE-UP UNIT-1-1/4"-T206-20 |
| 34 | P2515006 | 15 S-DRIVE TIGHTENER BOLT |
| 35 | P20315001 | S-DRIVE RETURN-1" ROLLER |
| 36 | P0113003 | CARRIAGE BOLT 1/2"X2-1/2"PLATED |
| 37 | P0151009 | FLAT WASHER 3/8"PLATED USS |
| 38 | P0151037 | FLAT WASHER 0.531 SQUARE-1.00-0.060 |

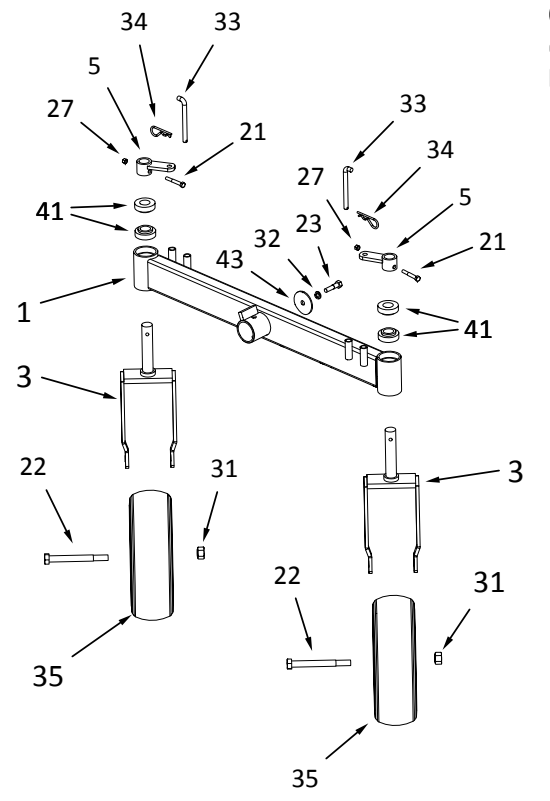
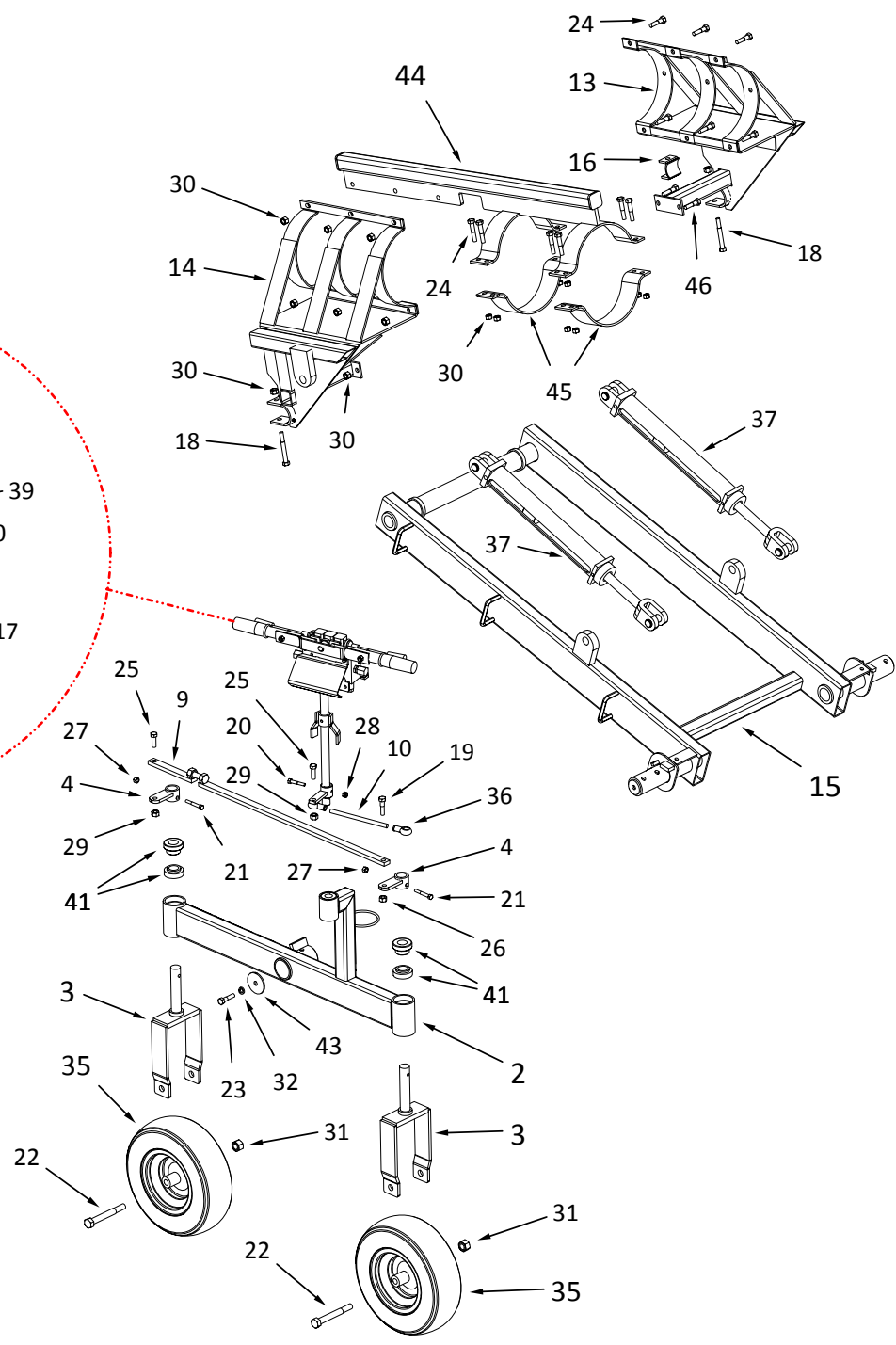
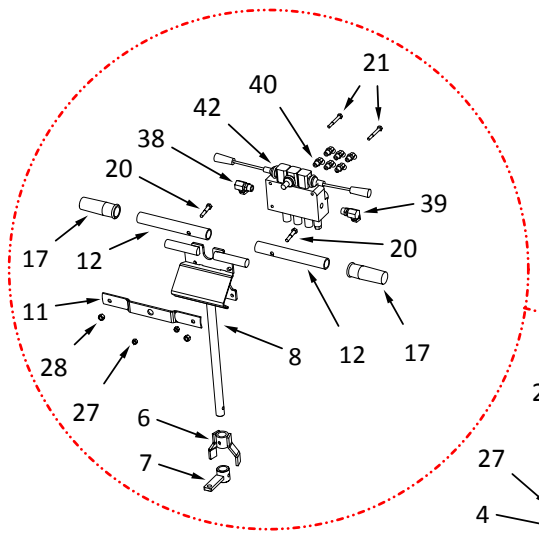
HOPPER (15000304P)



HOPPER (15000304P)

| ITEM | PART NO. | DESCRIPTION |
|------|-----------|---------------------------------|
| 1 | 13052001 | LOWER CLOTH FRAME STD BACK |
| 3 | 15052004 | UPPER CLOTH FRAME STD |
| 4 | 15052101 | LOWER CLOTH FRAME STD SIDE |
| 5 | 15052102 | LOWER CLOTH FRAME STD FRONT |
| 6 | 15070009 | HOPPER/SPOUT ROLLER LAGGED |
| 7 | P0113004 | CARRIAGE BOLT 1/2"X1-1/2"PLATED |
| 8 | P0113015 | CARRIAGE BOLT 3/8"X1" PLATED |
| 9 | P0114007 | TAP BOLT 3/4 X 7 PLATED |
| 10 | P0118061 | BOLT 5/16" X 1" GR8 PLATED |
| 11 | P0116001 | ELEVATOR BOLT 1/4"X1-1/4" |
| 13 | P0131016 | NUT 1/4" PLATED GRADE 8 |
| 14 | P0131017 | NUT 5/16" PLATED GRADE 8 |
| 15 | P0131019 | NUT 3/4" PLATED GRADE 8 |
| 16 | P0134026 | LOCKNUT-NYLON-3/8" GRADE 8 |
| 17 | P0134008 | LOCKNUT-NYLON-1/2" |
| 18 | P0141002 | TEK SCREW 1/4"X1" |
| 19 | P0145001 | VINYL SCREW CAP |
| 20 | P0151006 | FLAT WASHER 1/4"PLATED USS |
| 22 | P0161003 | COTTER PIN 3/16"X1-1/2"PLATED |
| 23 | P0162007 | HOPPER PIVOT SHAFT-13/15 |
| 24 | P0521001 | HOPPER SPRING-L |
| 25 | P0521002 | HOPPER SPRING-R |
| 26 | P1621007 | HOPPER CANVAS-15 CONV. |
| 27 | P1641015 | TRIM LOCK |
| 28 | P1711001 | FLANGE UNIT-1-1/2"-SAFL208-24 |
| 29 | P2515017 | PIVOT SHAFT BRACKET |
| 30 | P11150047 | HOPPER SHIELD |
| 31 | P19159000 | HOPPER LEFT FLASHING STD |
| 32 | P19159001 | HOPPER RIGHT FLASHING STD |
| 33 | P19159002 | HOPPER FRONT FLASHING STD |
| 34 | 15000314 | HOPPER -LINER KIT STD |
| 35 | 15000306P | HOPPER -FLASHING ONLY STD |
| 36 | 15000304P | HOPPER -COLLAPSABLE STD |

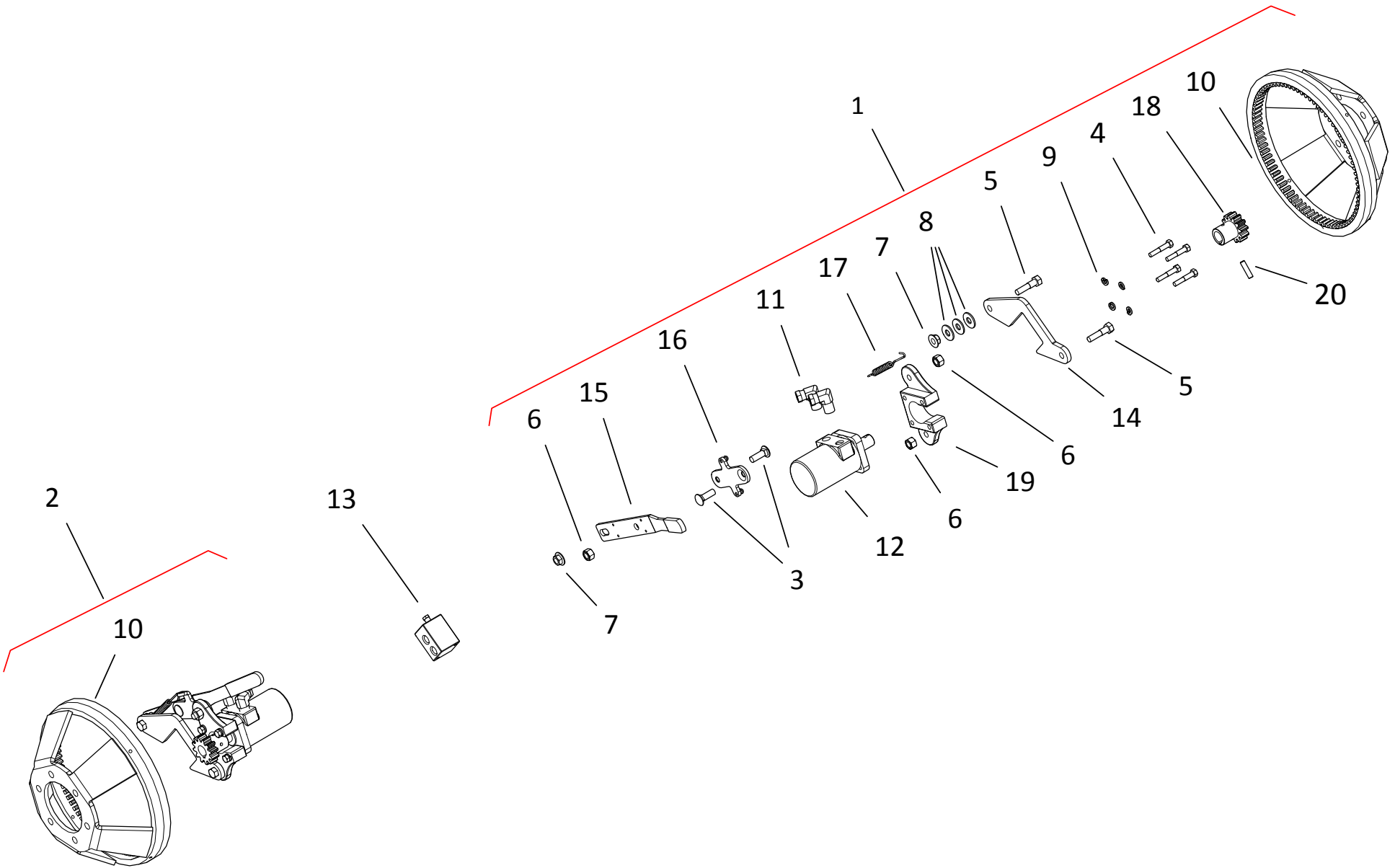
302



WHEEL MOVE

| ITEM | PART NO. | DESCRIPTION |
|------|-------------|-------------------------------------|
| 1 | 13120003 | WALKING BEAM |
| 2 | 13120004 | WALKING BEAM-STEERING |
| 3 | 13120005 | FORK-STRAIGHT |
| 4 | 13120007 | STEERING PIPE |
| 5 | 13120008 | LOCKING PIPE |
| 6 | 13120023 | STEERING STOP |
| 7 | 13120024 | HD CASTOR RETAINER C/W YOKE LINK AR |
| 8 | 13120125 | STEERING WELDMENT |
| 9 | 13122023 | STEERING LINK ARM |
| 10 | 13122076 | LINKAGE - THREADED 1/2X8 ROD |
| 11 | 13122078 | HANDLE JOINT |
| 12 | 13122087 | WM STEERING HANDLE PIPE |
| 13 | 15120001 | WHEEL MOVE BASE LEFT |
| 14 | 15120002 | WHEEL MOVE BASE RIGHT |
| 15 | 15120003 | CAM LIFT |
| 16 | 15120004 | SWIVEL BLOCK |
| 17 | P02-0200344 | HANDLE GRIP 1-1/4" |
| 18 | P0118019 | BOLT 1/2" X 3-1/2" GR8 PLATED |
| 19 | P0118029 | BOLT 1/4" X 2" GR8 PLATED |
| 20 | P0118050 | BOLT 3/8" X 2" GR8 PLATED |
| 21 | P0118063 | BOLT 5/16" X 2-1/2" GR8 PLATED |
| 22 | P0118133 | BOLT 3/4" X 7" GR8 PLATED |
| 23 | P0118016 | BOLT 1/2" X 2" GR8 PLATED |
| 24 | P0118017 | BOLT 1/2"X2-1/2"GRADE 8 PLATED |
| 25 | P0118077 | BOLT 7/16"X1-1/2" GRADE 8 PLATED |
| 26 | P0134023 | LOCKNUT-NYLON-1/4" GR8 |
| 27 | P0134027 | LOCKNUT-NYLON-5/16" GRADE 8 |
| 28 | P0134026 | LOCKNUT-NYLON-3/8" GRADE 8 |
| 29 | P0134007 | LOCKNUT-NYLON-7/16" |
| 30 | P0134008 | LOCKNUT-NYLON-1/2" |
| 31 | P0134029 | LOCKNUT-NYLON-3/4" GRADE 8 |
| 32 | P0152008 | LOCK WASHER 1/2"PLATED |
| 33 | P0162004 | HITCH PIN 1/2" X 5" PLATED |
| 34 | P0163001 | HAIR PIN 3/16" X 3-1/4" |
| 35 | P0614306 | TIRE & RIM 480X8 LRC |
| 36 | P0631010 | TIE ROD END BALL JOINT |
| 37 | P0812516 | HYD CYL-2-1/2X16 |
| 38 | P0820003 | SWIVEL-10ORBx1/2F90 |
| 39 | P0820009 | SWIVEL-6MORBx1/2" FPT/90D |
| 40 | P0820611 | ELBOW-6 ORBX3/8"JIC M 45 |
| 41 | P1742002 | BEARING-1-1/4" |
| 42 | P08610091 | VALVE-3 SPL-W/2 HANDLES |
| 43 | P11130185 | AXLE END CAP |
| 44 | 15060022 | MOVER FLANGE SUPPORT |
| 45 | P2513203P | 3" U-CLAMP PAINTED |
| 46 | P0118013 | BOLT 1/2"X1 1/2" GR.8 PLATED |

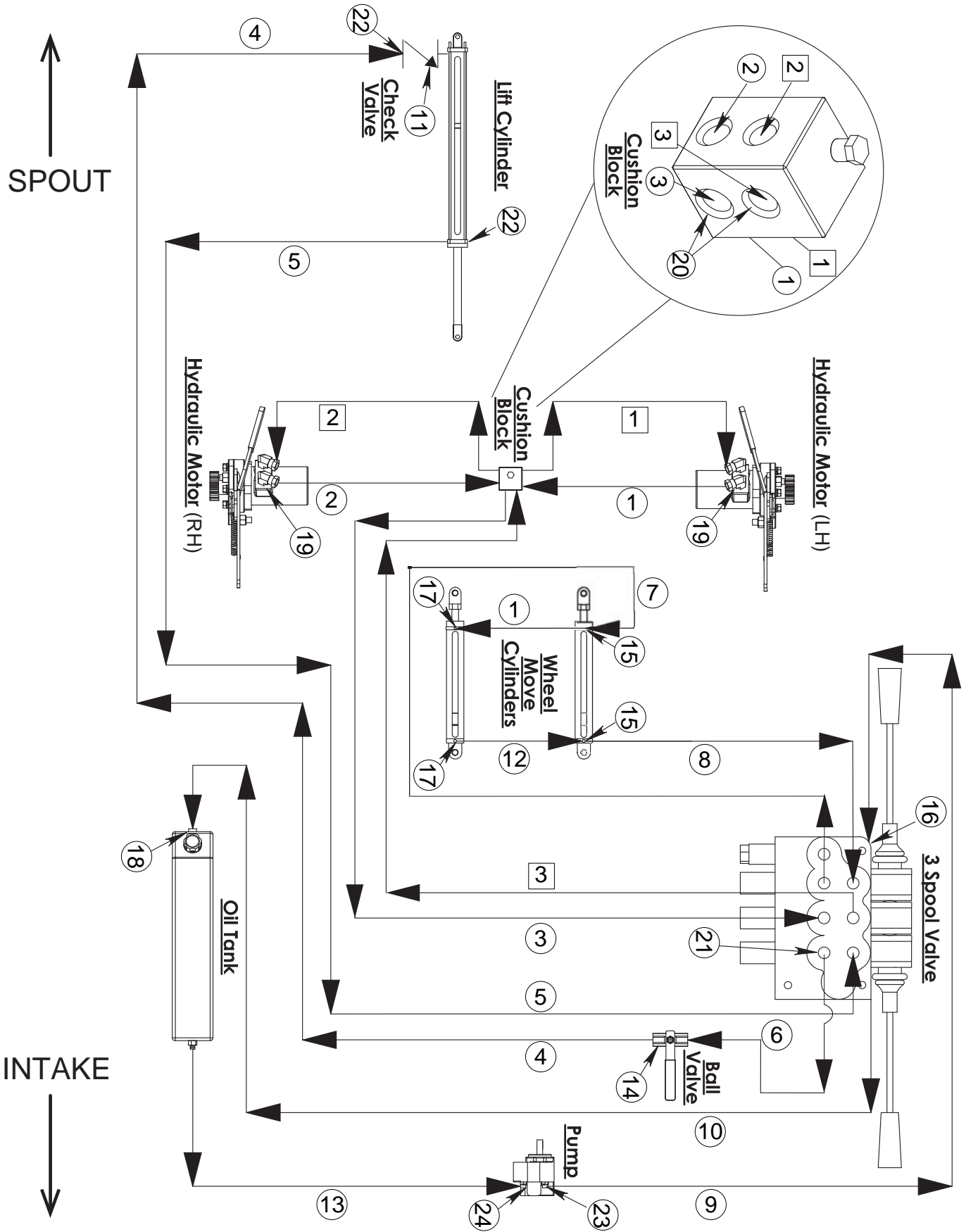
WHEEL MOVE DRIVE SYSTEM (13000144)



WHEEL MOVE DRIVE SYSTEM (13000144)

| ITEM | PART NO. | DESCRIPTION |
|------|-------------|------------------------------------|
| 1 | 13000120 | WM DRIVE PINION GEAR ASSY - RIGHT |
| 2 | 13000121 | WM DRIVE PINION GEAR ASSY - LEFT |
| 3 | P0113004 | CARRIAGE BOLT 1/2"X1-1/2"PLATED |
| 4 | P0118050 | BOLT 3/8" X 2" GR8 PLATED |
| 5 | P0118016 | BOLT 1/2" X 2" GR8 PLATED |
| 6 | P0134008 | LOCKNUT-NYLON-1/2" |
| 7 | P0134108 | LOCKNUT-TENSILOCK-1/2" |
| 8 | P0151029 | FLAT WASHER 1/2"PLATED USS |
| 9 | P0152006 | LOCK WASHER 3/8"PLATED |
| 10 | P0615314 | RING GEAR - 6 BOLT C/W MOUNT PLATE |
| 11 | P0820013 | SWIVEL-1/2MX3/8F90 |
| 12 | P0841012 | HYD MOTOR-6.3 (5.9H) RS-1/2" HOLE |
| 13 | P0861201 | CUSHION BLOCK, COMPLETE |
| 14 | P11130126 | WHEEL-MOVE AXLE TAB 3" |
| 15 | P020200007 | HANDLE WITH GRIP |
| 16 | 15121033 | PAINTED HANDLE LINK ARM |
| 17 | P020200009 | HANDLE SPRING |
| 18 | P020200333 | PINION GEAR-1"ID 3/8"HOLE |
| 19 | P020200338A | MOTOR ARM -EYEGLOSS PIECE, DRILLED |
| 20 | P0167101 | ROLL PIN SLOTTED 3/8" X 1-1/2" |
| 21 | P0163011 | HAIR PIN 5/32X2-15/16 (66326) |
| 22 | P0821127 | SWIVEL-3/8"-STR. |

WHEEL MOVE HYDRAULIC SCHEMATIC

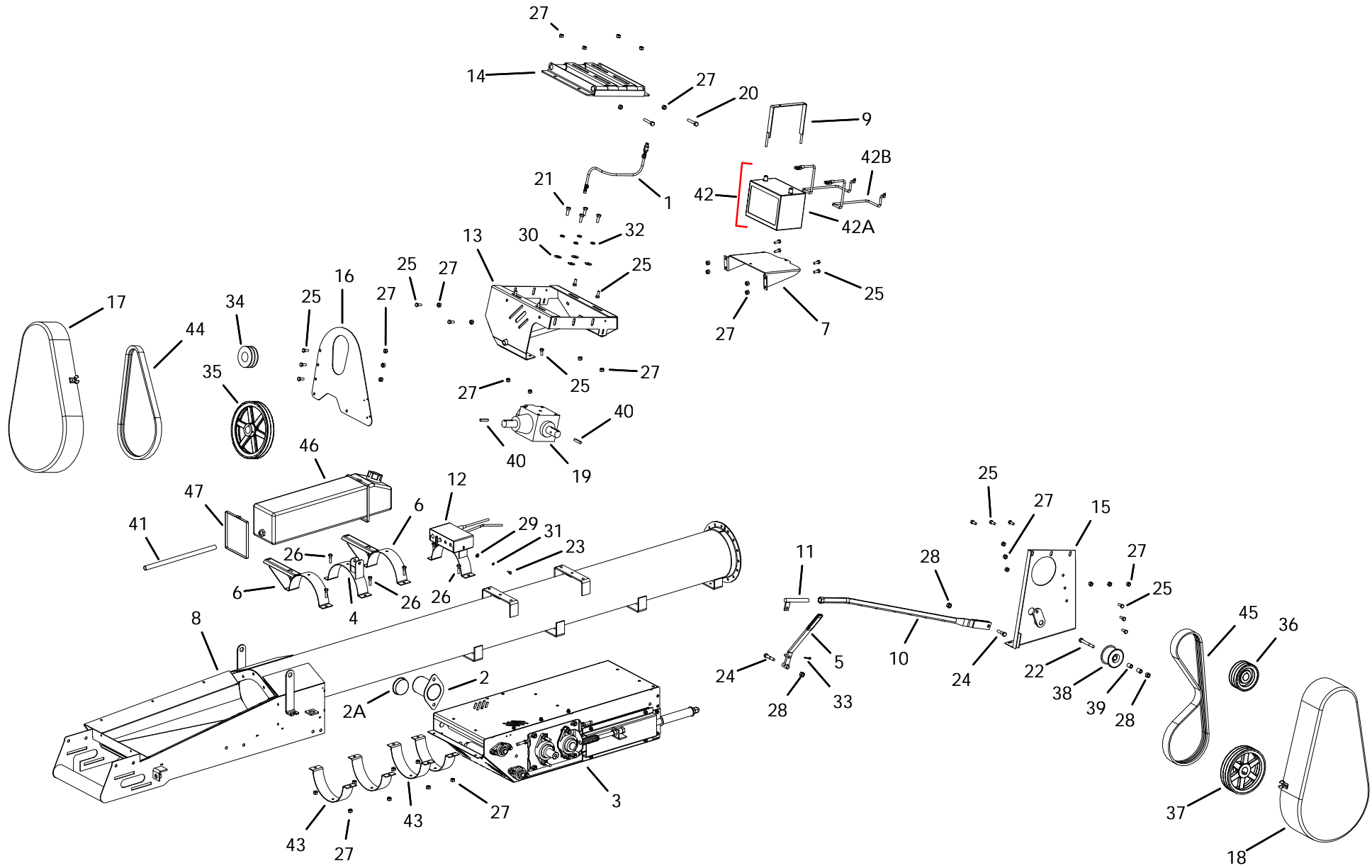


WHEEL MOVE HYDRAULIC SCHEMATIC

| ITEM | PART NO. | DESCRIPTION |
|------|------------|------------------------------------|
| 1 | P0832020 | HOSE 3/8(4'6")-3/8MPT-3/8MPT PC |
| 2 | P0832038 | HOSE 3/8(9')-3/8MPT-3/8MPT PC |
| 3 | P0832050 | HOSE 3/8(45')-3/8MPT-3/8FJIC PC |
| 4 | P0832049 | HOSE 3/8(45')-1/2MPT-1/2MPT PC |
| 5 | P0832042 | HOSE 3/8(55'6")-1/2MPT-3/8FJICX PC |
| 6 | P0832043 | HOSE 3/8(10'6")-1/2MPT-3/8FJIC PC |
| 7 | P0832026 | HOSE 3/8(7')-3/8FJICX-3/8MPT PC |
| 8 | P0832040 | HOSE 3/8(5'10")-3/8MPT-3/8FJICX PC |
| 9 | P0832053 | HOSE 1/2(11'6")-1/2"MPT-1/2"MPT PC |
| 10 | P0832031 | HOSE 1/2(15')-1/2MPT-1/2MPT PC |
| 11 | P0861035 | CHECK VALVE-1/2" (NO HOLE) |
| 12 | P0832029 | HOSE 3/8(5'6")-3/8MPT-3/8MPT PC |
| 13 | 01010148 | HOSE 3/4(5')-HOSE-HOSE |
| 14 | P0861001 | BALL VALVE-1/2" |
| 15 | P029900791 | TEE-3/8"FSX3/8"MX3/8"FS |
| 16 | P0820010 | SWIVEL-8MORBX1/2"FPT/90D |
| 17 | P0820007 | SWIVEL-3/8"PT/90D |
| 18 | P0821112 | SWIVEL-1/2" STRAIGHT |
| 19 | P0820013 | SWIVEL-1/2MX3/8F90 |
| 20 | P0821127 | SWIVEL-3/8"-STR. |
| 21 | P0820611 | ELBOW-6 ORBX3/8"JIC M 45 |
| 22 | P0820001 | SWIVEL-1/2"90 DEGREE |
| 23 | P0821129 | SWIVEL-6MORBX1/2"FPT |
| 24 | P0820702 | HOSE BARB-10MORBX3/4"HOSE |

GAS DIRECT DRIVE KIT (15593100)

308



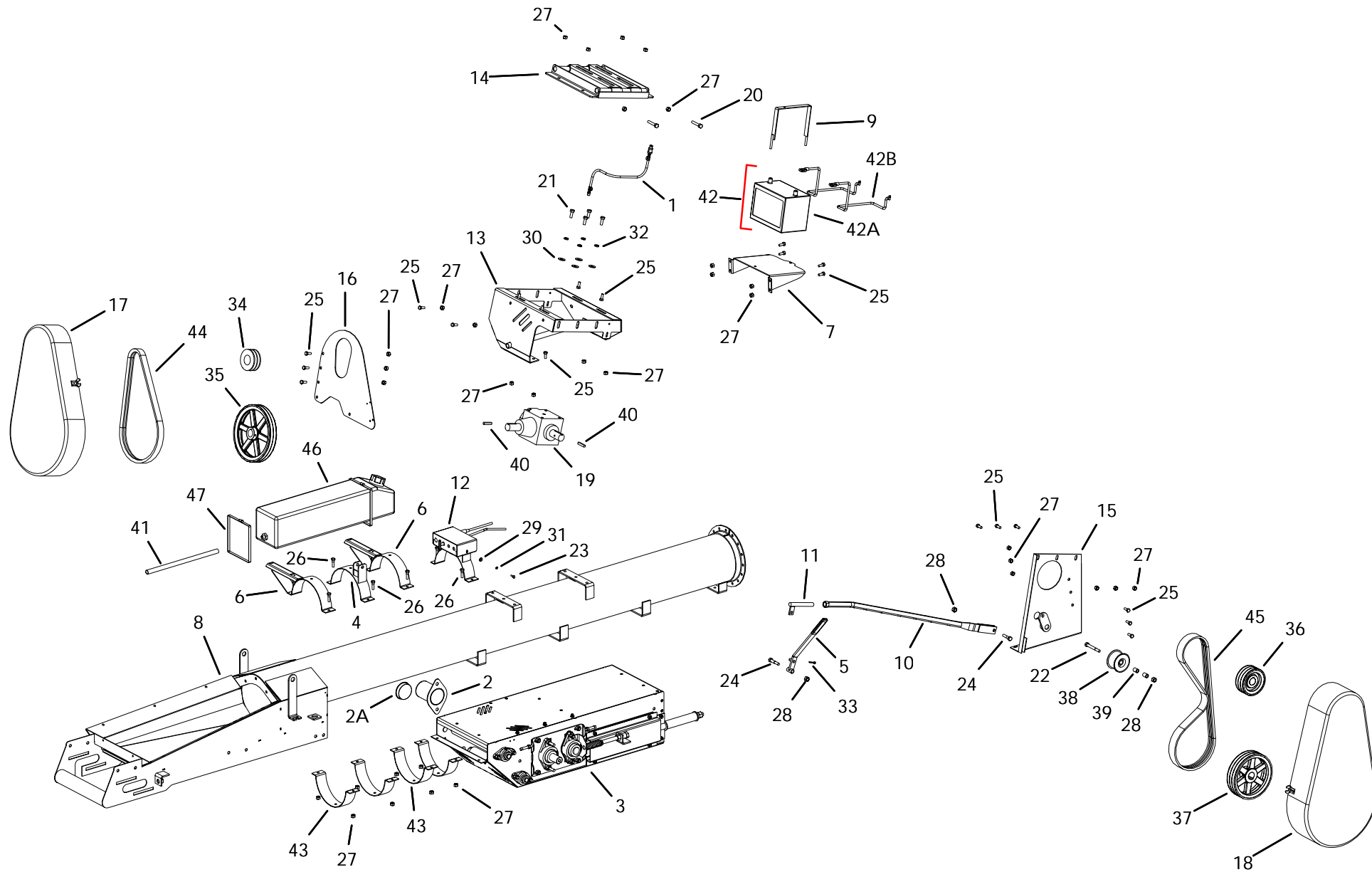
Note: Gas Drive Kit (15593100) does not include item # 8, 34 & 42.

GAS DIRECT DRIVE KIT (15593100)

| ITEM | PART NO. | DESCRIPTION |
|------|------------|-------------------------------------|
| 1 | 01010003 | BREATHER DIRECT DRIVE |
| 2 | 24041038 | SHAFT GUARD(FL-210) |
| 3 | 15590020 | S-DRIVE ASM W/PINCH |
| 4 | 13010048 | MOTOR MT OVERCENTER ANCHOR BKT |
| 5 | 13010054 | MOTOR MT OVERCENTER HANDLE |
| 6 | 13011038 | PLASTIC TANK SIDE MOUNT W 2.5" CLAM |
| 7 | 13012108 | MOTOR MOUNT BATTERY MOUNT |
| 8 | 13020040 | BT HOPPER SECTION 10' WITH SD BKTS |
| 9 | 13060054 | BATTERY CLAMP |
| 10 | 13060068 | MOTOR MT OVERCENTER PUSHROD |
| 11 | 13060074 | OVERCENTER ADJUSTER |
| 12 | 13060080 | DIRECT DRV CONTROL BOX |
| 13 | 13060102 | MOTOR MOUNT |
| 14 | 13060103 | SLIDER MOUNT |
| 15 | 13060105 | MOTOR MOUNT BACK PLATE |
| 16 | 13060107 | ENGINE GUARD BACK |
| 17 | 15040055 | PINCH GUARD SMALL ASSEMBLED |
| 18 | 15040056 | PINCH GUARD MED ASSEMBLED |
| 19 | 15591001 | GBOX 90 2:1 CW/CW 1-1/2 4190 W/OIL |
| 20 | P0114005 | TAP BOLT 1/2 X 2-1/2 GR.8 PLATED |
| 21 | P0118020 | BOLT 1/2" X 1-1/4" GR8 PLATED |
| 22 | P0118130 | BOLT 1/2" X 4" GR8 PLATED |
| 23 | P0118033 | BOLT 1/4" X 3/4" GR8 PLATED |
| 24 | P0118016 | BOLT 1/2" X 2" GR8 PLATED |
| 25 | P0118076 | BOLT 7/16"X1" GRADE 8 PLATED |
| 26 | P0118077 | BOLT 7/16"X1-1/2" GRADE 8 PLATED |
| 27 | P0134007 | LOCKNUT-NYLON-7/16" |
| 28 | P0134008 | LOCKNUT-NYLON-1/2" |
| 29 | P0151006 | FLAT WASHER 1/4"PLATED USS |
| 30 | P0151029 | FLAT WASHER 1/2"PLATED USS |
| 31 | P0152004 | LOCK WASHER 1/4"PLATED |
| 32 | P0152008 | LOCK WASHER 1/2"PLATED |
| 33 | P0161003 | COTTER PIN 3/16"X1-1/2"PLATED |
| 34 | P0328018 | PULLEY-DBL-BK-4"H |
| 35 | P0328024 | PULLEY-DBL-12" W/1-1/2"BORE |
| 36 | P0328050 | PULLEY-TRPL-6" W/1-1/2"BORE |
| 37 | P0328079 | PULLEY-TRPL-10" W/1-1/2"BORE |
| 38 | P0328910 | IDLER-FLAT-4"TRPL 2-7/16"WIDE |
| 39 | P0351019 | DNR-BUSHING 3/4"ODX1/2"IDX1"BRONZE |
| 40 | P0391002 | KEY 3/8" X 2" LONG |
| 41 | P0831008 | FUEL LINE-1/4"ID |
| 42 | P0951013 | BATTERY 420CCA |
| 43 | P2219801P | U-CLAMP HANGER-10"X2-1/2"-BLACK |
| 44 | P03210531 | BELT 2B53 BANDED |
| 45 | P03210652 | BELT 3B65 BANDED |
| 46 | P021200051 | GAS TANK W/CAP W/FITTING-22L |

GAS DIRECT DRIVE KIT (15593100)

310

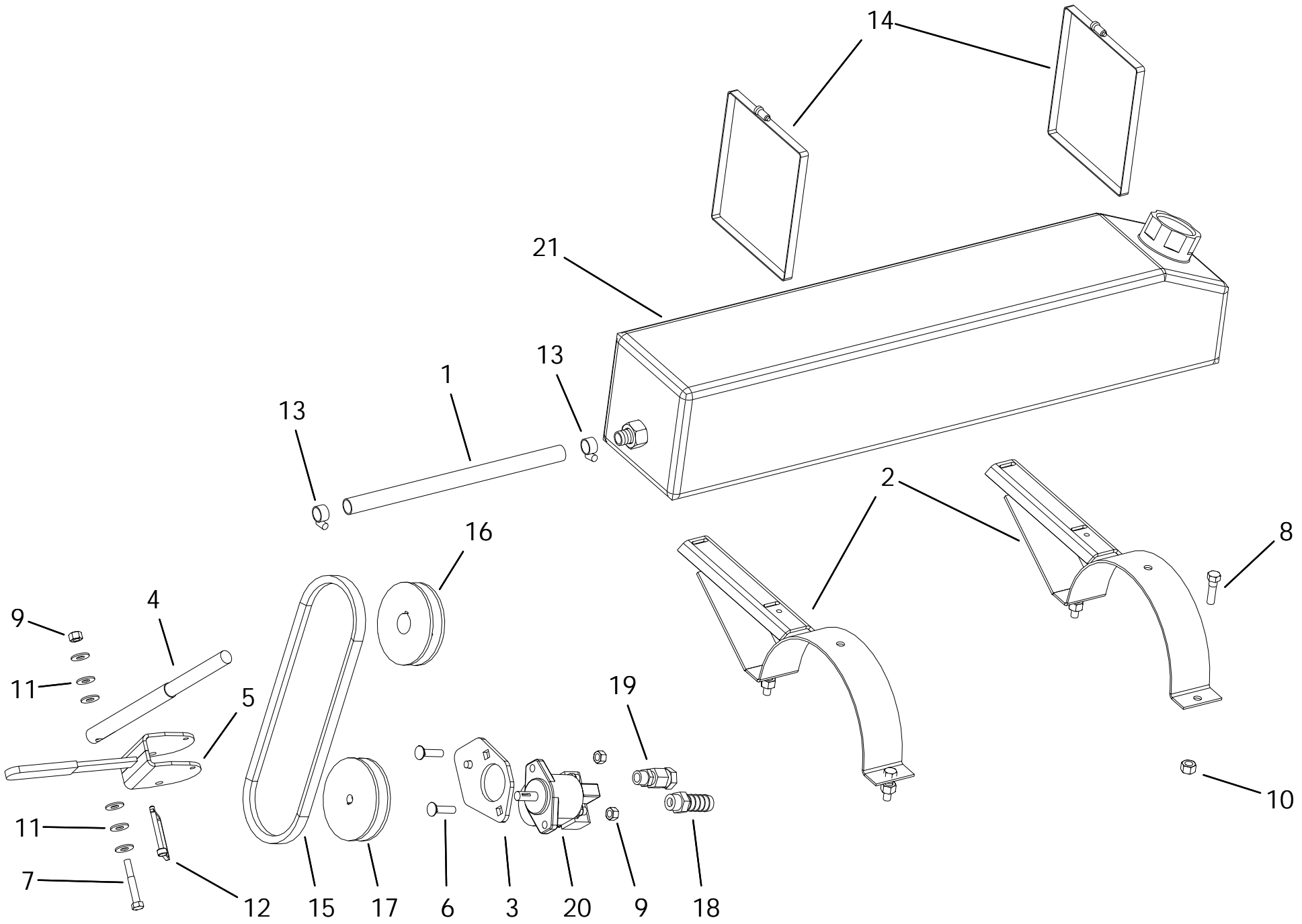


Note: Gas Drive Kit (15593100) does not include item # 8, 34 & 42.

GAS DIRECT DRIVE KIT (15593100)

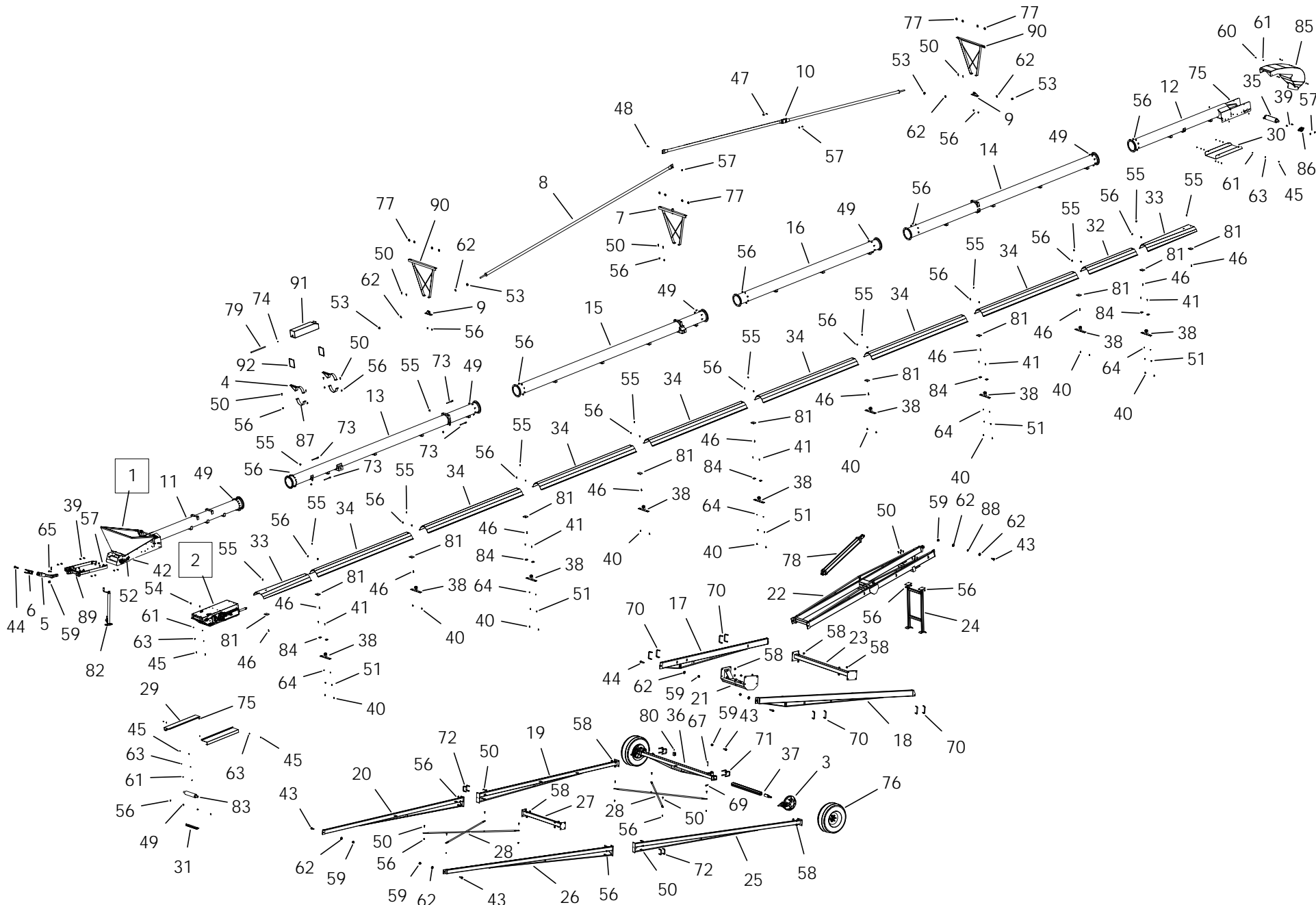
| ITEM | PART NO. | DESCRIPTION |
|-------------|-----------------|-------------------------------|
| 46 | 1200011 | CAP, FOR RESERVOIR & GAS TANK |
| 47 | P029900216 | GEAR CLAMP 32" |

WET KIT GAS (1559408X) - 45



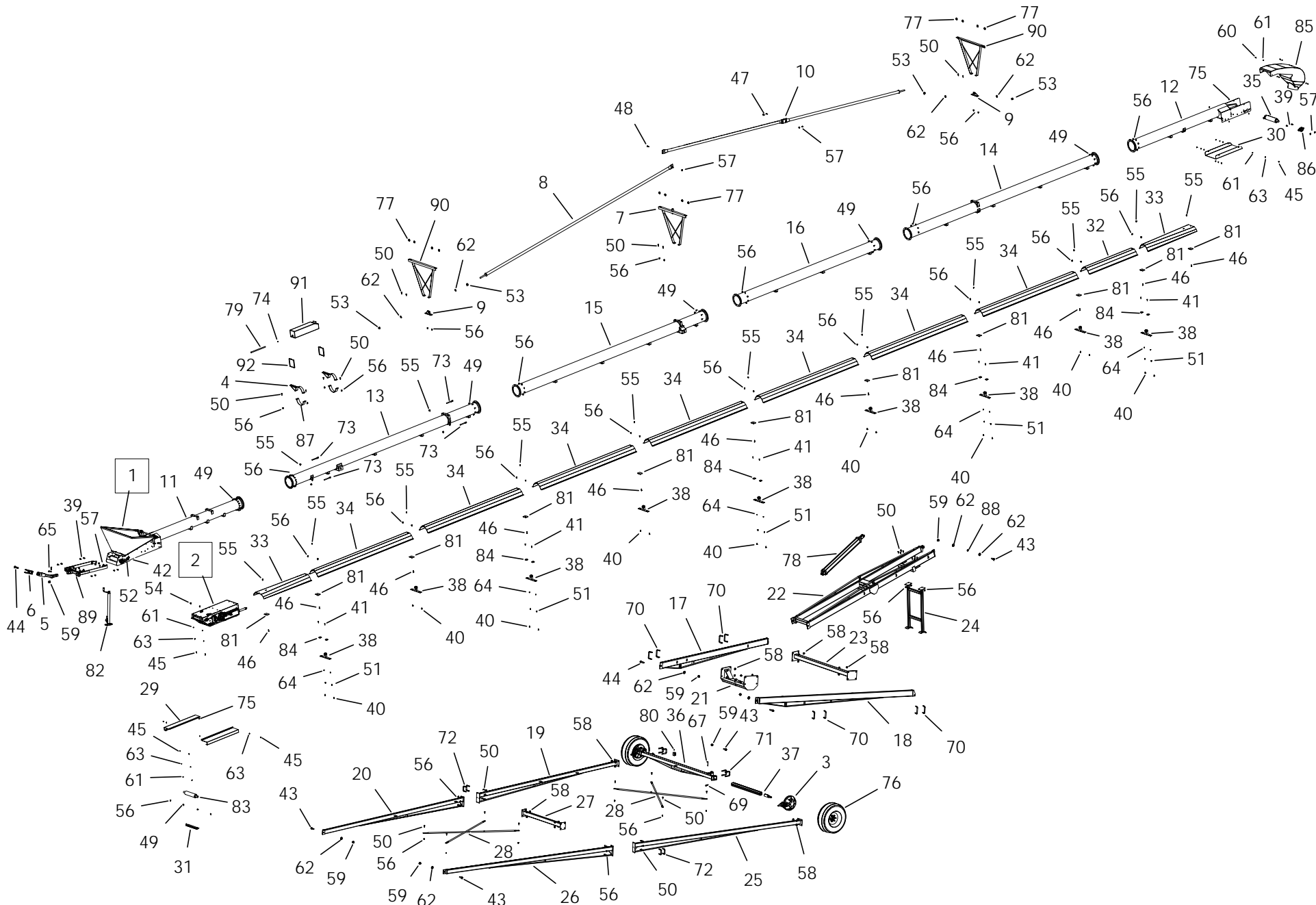
WET KIT GAS (1559408X) - 45

| ITEM | PART NO. | DESCRIPTION |
|------|--------------|-------------------------------------|
| 1 | 01010188 | HOSE 3/4(9')-HOSE-HOSE |
| 2 | 13011038 | PLASTIC TANK SIDE MOUNT W 2.5" CLAM |
| 3 | 13060104 | PUMP MOUNT -PINCH DRIVE |
| 4 | 13100028 | PIVOT HANDLE SHAFT |
| 5 | 13100035 | PIVOT HANDLE |
| 6 | P0113018 | CARRIAGE BOLT 3/8"X1 1/2"PLATED |
| 7 | P0118051 | BOLT 3/8" X 2-1/2" GR8 PLATED |
| 8 | P0118077 | BOLT 7/16"X1-1/2" GRADE 8 PLATED |
| 9 | P0134026 | LOCKNUT-NYLON-3/8" GRADE 8 |
| 10 | P0134007 | LOCKNUT-NYLON-7/16" |
| 11 | P0151009 | FLAT WASHER 3/8"PLATED USS |
| 12 | P0163010 | QUICK PIN 1/4X2-1/2 |
| 13 | P0184006 | HOSE CLAMP-3/4"(HS12) |
| 14 | P029900216 | GEAR CLAMP 32" |
| 15 | P0321035 | BELT B35 |
| 16 | P0328905 | PULLEY-4-1/2"X1-1/8" |
| 17 | P0328906 | PULLEY-4-1/2"X1/2" |
| 18 | P0820702 | HOSE BARB-10MORBX3/4"HOSE |
| 19 | P0821130 | SWIVEL-8 ORBX1/2"FPS |
| 20 | P0841033 | PUMP-SMALL |
| 20 | P0841033S | PUMP-0.375 CW/END PORTS SEAL |
| 21 | P029900052-3 | TANK, 22L, BLK W/FTG, CAP HOSE |



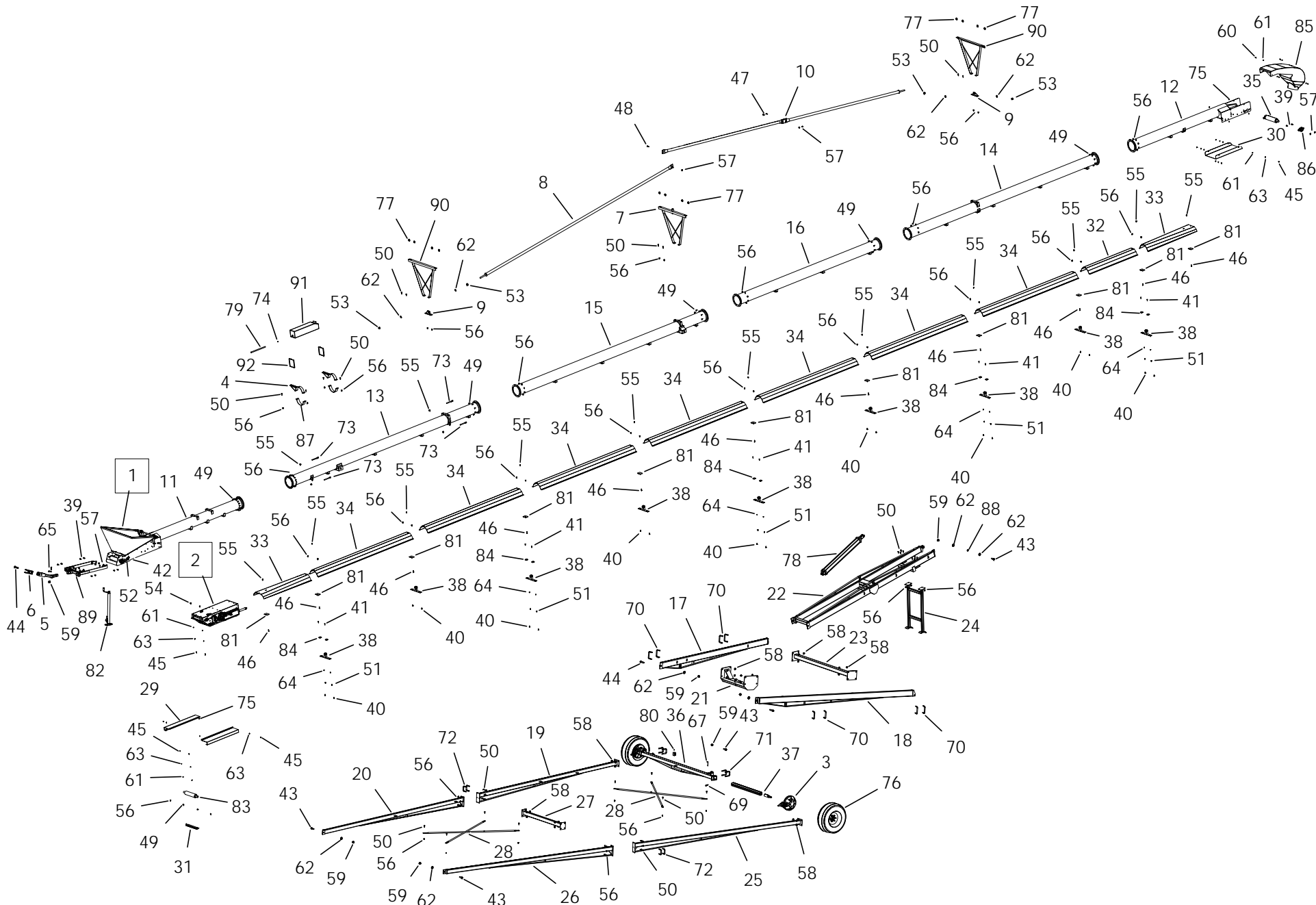
15100 FMD-15510015

| ITEM | PART NO. | DESCRIPTION |
|------|-----------|-------------------------------------|
| 1 | 15000304P | HOPPER -COLLAPSABLE STD |
| 2 | 15590020 | S-DRIVE ASM W/PINCH |
| 3 | 13000154 | MOVER-WM DRIVE 3" AXLE SCISSOR |
| 4 | 13011038 | PLASTIC TANK SIDE MOUNT W 2.5" CLAM |
| 5 | 13030016 | Tongue |
| 6 | 13030017 | CLEVIS |
| 7 | 15010104 | HIGH CABLE BRIDGE PLUS ANCHOR |
| 8 | 15010105 | UPPER TRUSS TUBE -246" |
| 9 | 15010106 | TRUSS ROD ANCHOR |
| 10 | 15010107 | UPPER TRUSS TUBE -300" |
| 11 | 15020040 | BT HOPPER SECTION 10' WITH SD BKTS |
| 12 | 15020045 | SPOUT SECTION 10' W/CABLE RTRN BKT |
| 13 | 15020051 | BOTTOM TUBE WITH ANCHORS |
| 14 | 15020053 | UPPER CENTER 20' TUBE |
| 15 | 15020055 | SUSPENSION BRACKET TUBE 100 |
| 16 | 15020056 | CENTER SECTION 15'-100 |
| 17 | 15030080 | LIFT ARM 100 RIGHT |
| 18 | 15030081 | LIFT ARM 100 LEFT |
| 19 | 15030082 | LOWER AXLE ARM 100 RIGHT |
| 20 | 15030083 | UPPER AXLE ARM 100 RIGHT |
| 21 | 15030084 | UPPER LIFT ARM BRACE 100 |
| 22 | 15030085 | LADDER 100 |
| 23 | 15030086 | LOWER LIFT ARM BRACE 100 |
| 24 | 15030087 | TRANSPORT BRACE 100 |
| 25 | 15030088 | LOWER AXLE ARM 100 LEFT |
| 26 | 15030089 | UPPER AXLE ARM 100 LEFT |
| 27 | 15031046 | AXLE ARM CROSS BRACE 15100 |
| 28 | 15032030 | CROSS BRACE |
| 29 | 15042040 | SD-HOPPER BELT GUARD |
| 30 | 15042093 | SPOUT BOTTOM COVER |
| 31 | 15042094 | HOPPER GUARD BRACKET |
| 32 | 15042101 | WEATHER GUARD 5' - 61-1/2" |
| 33 | 15042102 | WEATHER GUARD 5' FLR - 61-1/2" |
| 34 | 15042121 | WEATHER GUARD 10' - 121-1/2" |
| 35 | 15070009 | HOPPER/SPOUT ROLLER LAGGED |
| 36 | 20030109 | AXLE EXTENDABLE 85 |
| 37 | 20030500 | AXLE EXTENSION (WITH 6 LUGS) |
| 38 | 150100911 | WEATHER GUARD MOUNT BAR KIT-POLY |
| 39 | P0113004 | CARRIAGE BOLT 1/2"X1-1/2"PLATED |
| 40 | P0113013 | CARRIAGE BOLT 7/16"X1" PLATED |
| 41 | P0113020 | CARRIAGE BOLT 5/16"X1-1/2"PLATED |
| 42 | P0114007 | TAP BOLT 3/4 X 7 PLATED |
| 43 | P0118004 | BOLT 1" X 3" GR8 PLATED |
| 44 | P0118007 | BOLT 1" X 4-1/2" GR8 PLATED |
| 45 | P0118033 | BOLT 1/4" X 3/4" GR8 PLATED |
| 46 | P0115303 | CAPSCREW 3/8X1-1/4FLT HD SOCKET PTD |



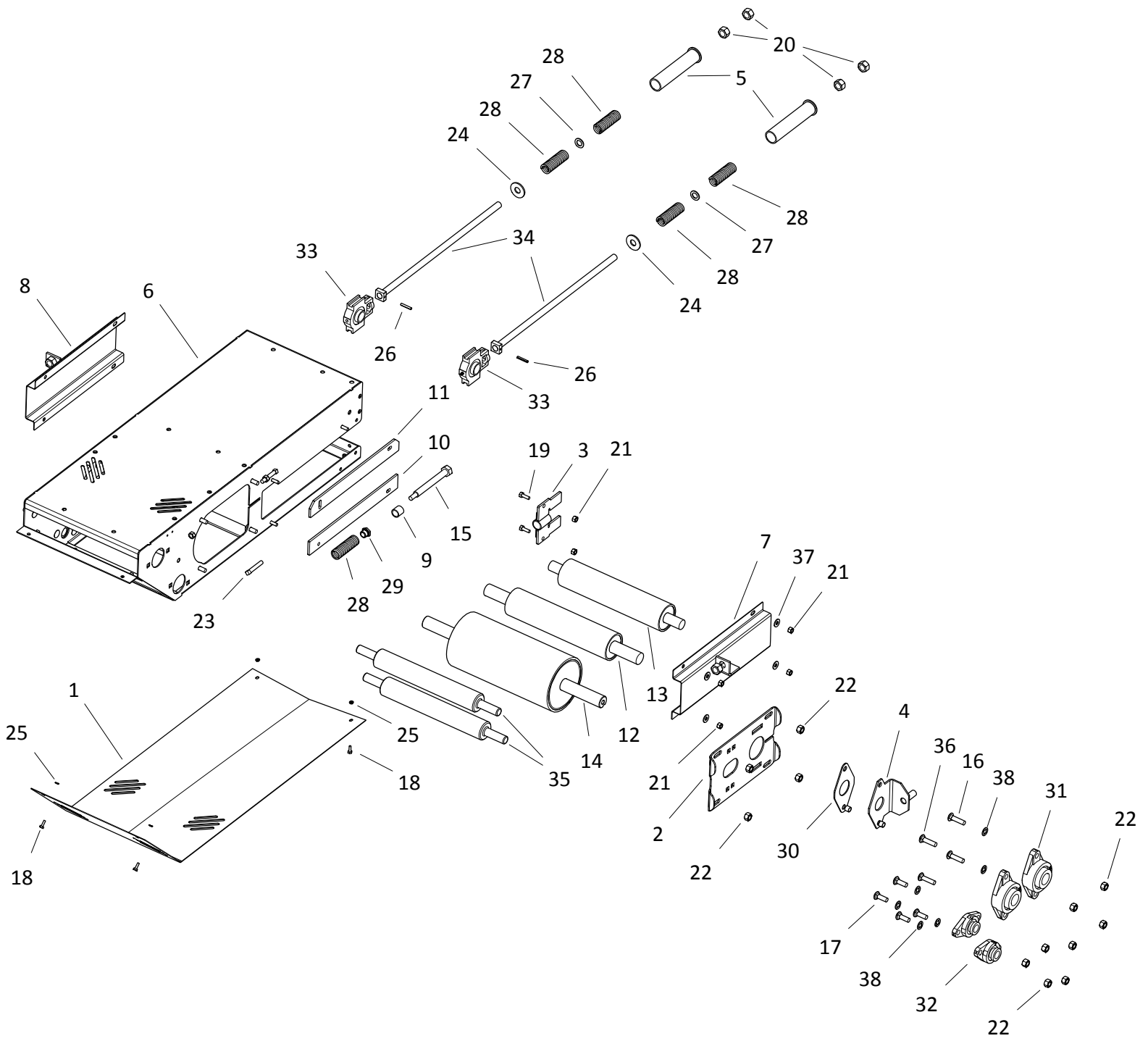
15100 FMD-15510015

| ITEM | PART NO. | DESCRIPTION |
|------|------------|------------------------------------|
| 47 | P0118013 | BOLT 1/2"X1 1/2" GR.8 PLATED |
| 48 | P0118016 | BOLT 1/2" X 2" GR8 PLATED |
| 49 | P0118076 | BOLT 7/16"X1" GRADE 8 PLATED |
| 50 | P0118077 | BOLT 7/16"X1-1/2" GRADE 8 PLATED |
| 51 | P0131017 | NUT 5/16" PLATED GRADE 8 |
| 52 | P0131019 | NUT 3/4" PLATED GRADE 8 |
| 53 | P0131021 | NUT 1" PLATED GRADE 8 |
| 54 | P0134023 | LOCKNUT-NYLON-1/4" GR8 |
| 55 | P0134026 | LOCKNUT-NYLON-3/8" GRADE 8 |
| 56 | P0134007 | LOCKNUT-NYLON-7/16" |
| 57 | P0134008 | LOCKNUT-NYLON-1/2" |
| 58 | P0134029 | LOCKNUT-NYLON-3/4" GRADE 8 |
| 59 | P0134030 | LOCKNUT-NYLON-1" GRADE 8 |
| 60 | P0141002 | TEK SCREW 1/4"X1" |
| 61 | P0151006 | FLAT WASHER 1/4"PLATED USS |
| 62 | P0151031 | FLAT WASHER 1"PLATED USS |
| 63 | P0152004 | LOCK WASHER 1/4"PLATED |
| 64 | P0152010 | LOCK WASHER 5/16"PLATED |
| 65 | P0162001 | HITCH PIN 1/2" X 3" PLATED |
| 67 | P0162009 | HITCH PIN 3/8 X 4-5/16 |
| 69 | P0163011 | HAIR PIN 5/32X2-15/16 (66326) |
| 70 | P0183006 | U-BOLT 6" X 2" -PLATED |
| 71 | P0183012 | U-BOLT 3-1/2" X 3-1/2" X 3/4"PTD |
| 72 | P0183013 | U-BOLT 4"X2" (3/4") PTD |
| 73 | P0183021 | 3/8" EYE BOLT ASM |
| 74 | P0184033 | WIRE HOSE CLAMP .500" |
| 75 | P0186010 | THREADED INSERT 1/4-20-.027-.165 |
| 76 | P0615308 | TIRE ASM -6BLT ST205/75R15 LRC 6PL |
| 77 | P0712109 | CABLE CLAMP-3/8" |
| 78 | P0814048 | HYD CYL-4X48 |
| 79 | P0831008 | FUEL LINE-1/4"ID |
| 80 | P0861201 | CUSHION BLOCK, COMPLETE |
| 81 | P1010001 | UNI-MOUNT PLATE CAST |
| 82 | P1012009 | JACK-7000LB SQ.TUBE 25" EXT |
| 83 | P1021006 | ROLLER HEX 15-7/8" |
| 84 | P1210030 | BELT GUIDE BLOCK |
| 85 | P1211501 | HOOD-ROUND 15 SERIES (KANBAN) |
| 86 | P1711001 | FLANGE UNIT-1-1/2"-SAFL208-24 |
| 87 | P2219801P | U-CLAMP HANGER-10"X2-1/2"-BLACK |
| 88 | P2515002 | FRAME BUSHING |
| 89 | 15030015 | HITCH |
| 90 | 15010103 | HIGH CABLE BRIDGE |
| 91 | P021200051 | GAS TANK W/CAP W/FITTING-22L |
| 92 | 1200011 | CAP, FOR RESERVOIR & GAS TANK |
| 92 | P029900216 | GEAR CLAMP 32" |
| 93 | 15571001 | 15100 205' |



15100 FMD-15510015

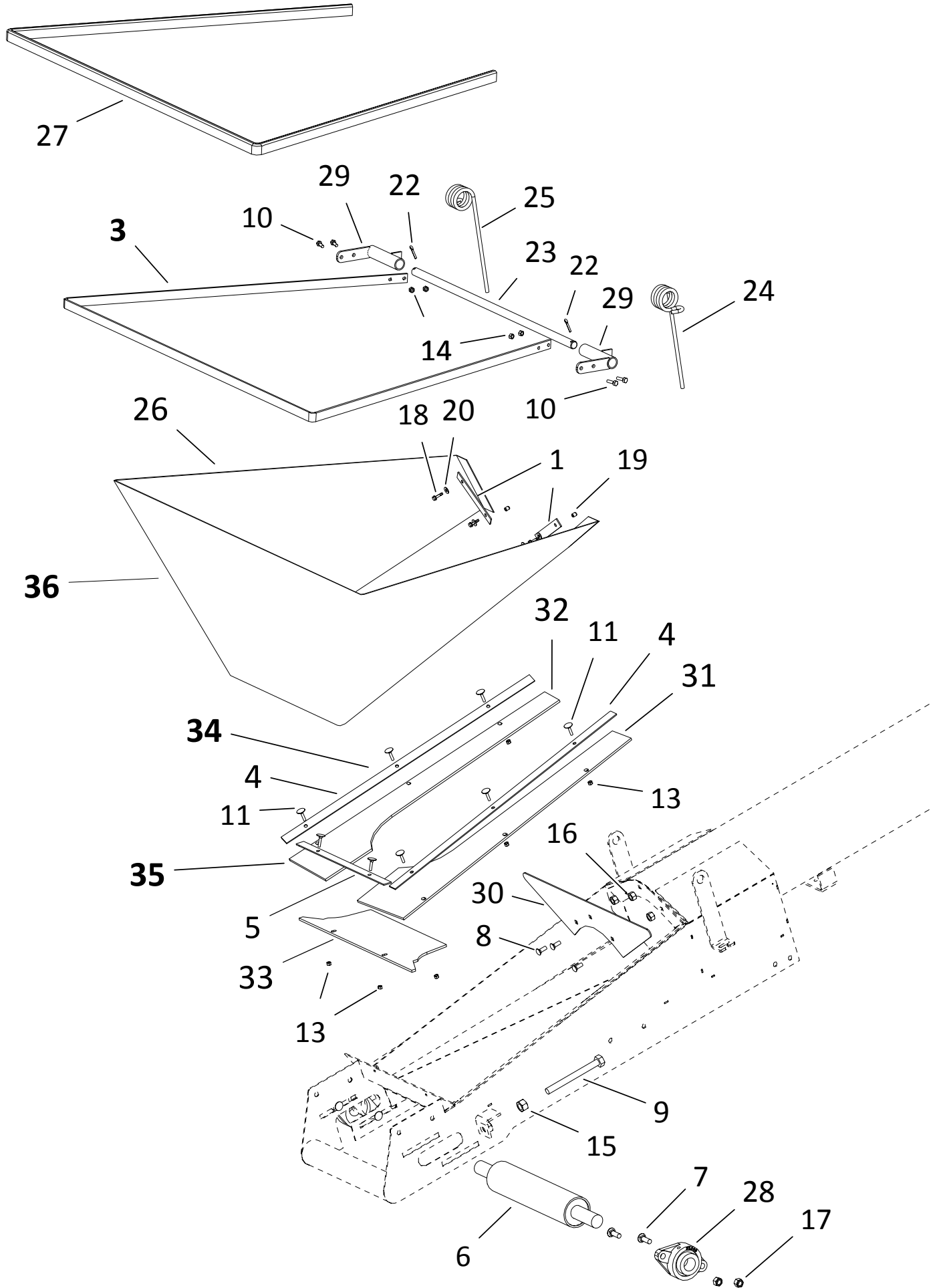
| ITEM | PART NO. | DESCRIPTION |
|------|----------|-------------------------------|
| 94 | P0145002 | SET SCREW-7/16"X2-1/2"SQ.HD. |
| 95 | P0711113 | CABLE-3/8" (162') (NOT SHOWN) |
| 96 | P0711119 | CABLE-3/8" (96') (NOT SHOWN) |
| 97 | P1243001 | CABLE TIE 14" 120 LB |
| 98 | P2227989 | MANUAL HOLDER AND LID |
| 99 | 13060080 | DIRECT DRV CONTROL BOX |
| 100 | P0712113 | THROTTLE CONTROL 10' |
| 101 | P0712103 | CHOKE CABLE-9' LOCKING |



S-DRIVE (15590020)

| ITEM | PART NO. | DESCRIPTION |
|------|-----------|-------------------------------------|
| 1 | 15040001 | PINCH SD BOTTOM GUARD |
| 2 | 15060061 | SD COVER PLATE 6-1/2"ROLLER |
| 3 | 15060027 | S-DRIVE TENSION INDICATOR |
| 4 | 15060082 | PINCH TIGHTENER PLATE |
| 5 | 15060504 | PRETENSIONER 1550 |
| 6 | 15061045 | S-DRIVE PINCH |
| 7 | 15061046 | SIDE GUARD LH |
| 8 | 15061047 | SIDE GUARD RH |
| 9 | 15062010 | PINCH PIPE |
| 10 | 15062179 | S-DRIVE SLIDER BOLT PLATE - BOTTOM |
| 11 | 15062180 | S-DRIVE SLIDER BOLT PLATE - TOP |
| 12 | 15070019 | 3-1/2"TAKE-UP (PINCH) |
| 13 | 15070020 | 3-1/2"TAKE-UP 19.5"SHAFT |
| 14 | 15070030 | DRIVE ROLLER-6-1/2" W/EXT SHAFT |
| 15 | P0113000 | SPRING TENSION BOLT |
| 16 | P0113001 | CARRIAGE BOLT 1/2"X2" PLATED |
| 17 | P0113004 | CARRIAGE BOLT 1/2"X1-1/2"PLATED |
| 18 | P0118033 | BOLT 1/4" X 3/4" GR8 PLATED |
| 19 | P0118046 | BOLT 3/8" X 1" GR8 PLATED |
| 20 | P0131019 | NUT 3/4" PLATED GRADE 8 |
| 21 | P0134026 | LOCKNUT-NYLON-3/8" GRADE 8 |
| 22 | P0134008 | LOCKNUT-NYLON-1/2" |
| 23 | P0145004 | SET SCREW-7/16"X1-1/2"SQ.HD.PLATED |
| 24 | P0151015 | FLAT WASHER 3/4"PLATED USS |
| 25 | P0152004 | LOCK WASHER 1/4"PLATED |
| 26 | P0167001 | SPRING PIN 1/4" X 1-1/2" |
| 27 | P0351015 | MACHINERY BUSH 3/4"X1-1/4"-14G PTD. |
| 28 | P0511008 | SPRING-LD-1300 SERIES |
| 29 | P0820129 | BUSHING BRASS FLANGED |
| 30 | P1210102 | BELT TIGHTENER SLIDER PLATE FL208 |
| 31 | P1711001 | FLANGE UNIT-1-1/2"-SAFL208-24 |
| 32 | P1711004 | FLANGE UNIT-1"-SAFL205-16 |
| 33 | P1721001 | TAKE-UP UNIT-1-1/4"-T206-20 |
| 34 | P2515006 | 15 S-DRIVE TIGHTENER BOLT |
| 35 | P20315001 | S-DRIVE RETURN-1" ROLLER |
| 36 | P0113003 | CARRIAGE BOLT 1/2"X2-1/2"PLATED |
| 37 | P0151009 | FLAT WASHER 3/8"PLATED USS |
| 38 | P0151037 | FLAT WASHER 0.531 SQUARE-1.00-0.060 |

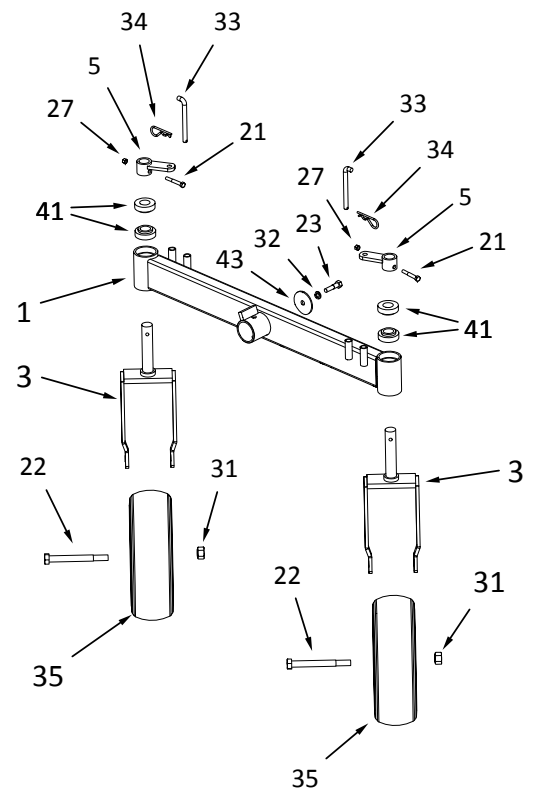
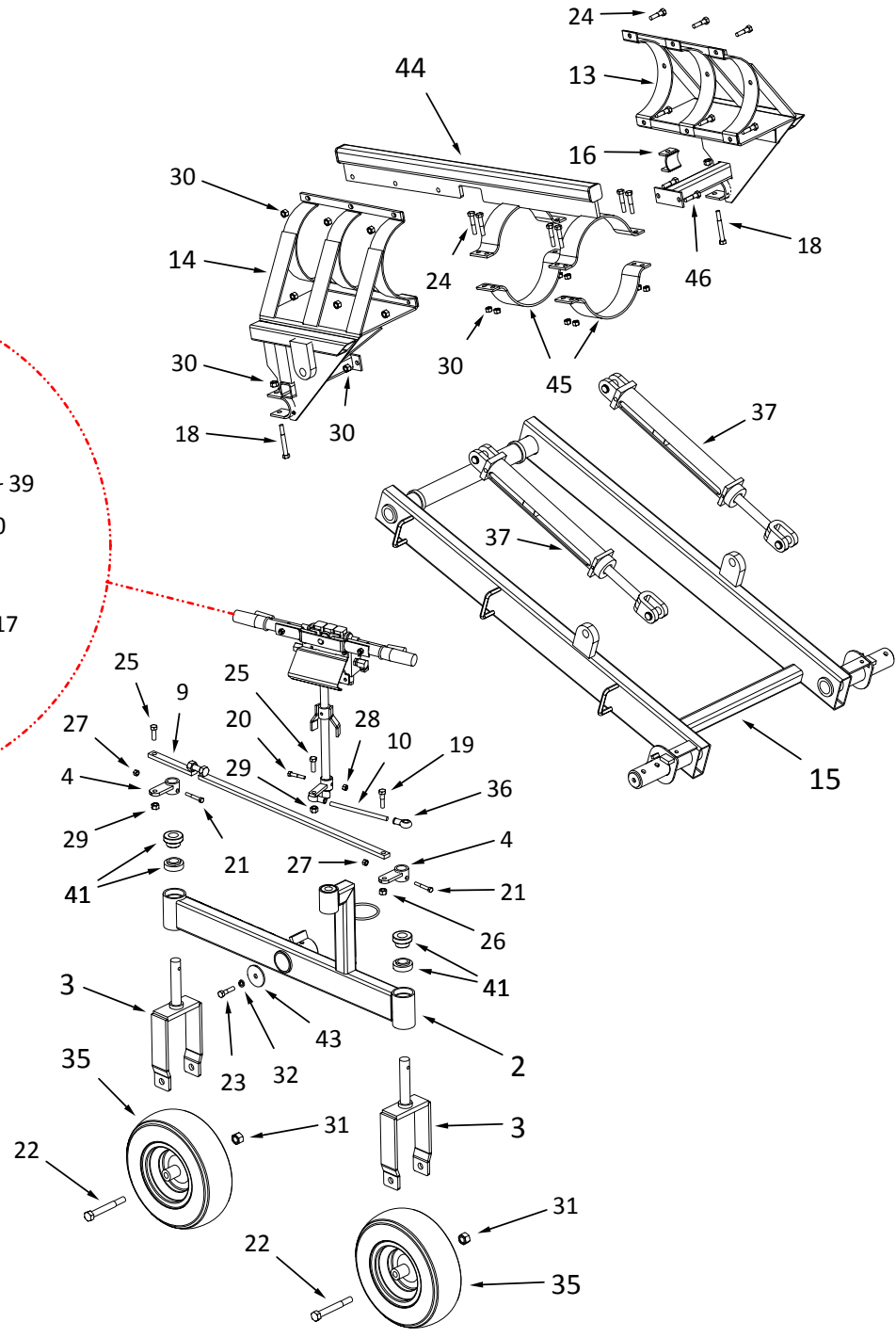
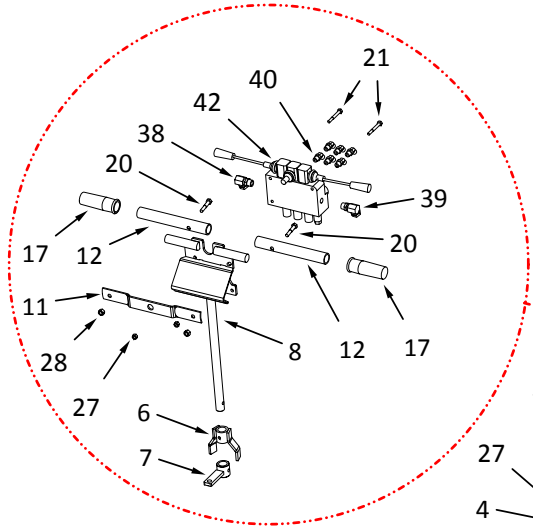
HOPPER (15000304P)



HOPPER (15000304P)

| ITEM | PART NO. | DESCRIPTION |
|------|-----------|---------------------------------|
| 1 | 13052001 | LOWER CLOTH FRAME STD BACK |
| 3 | 15052004 | UPPER CLOTH FRAME STD |
| 4 | 15052101 | LOWER CLOTH FRAME STD SIDE |
| 5 | 15052102 | LOWER CLOTH FRAME STD FRONT |
| 6 | 15070009 | HOPPER/SPOUT ROLLER LAGGED |
| 7 | P0113004 | CARRIAGE BOLT 1/2"X1-1/2"PLATED |
| 8 | P0113015 | CARRIAGE BOLT 3/8"X1" PLATED |
| 9 | P0114007 | TAP BOLT 3/4 X 7 PLATED |
| 10 | P0118061 | BOLT 5/16" X 1" GR8 PLATED |
| 11 | P0116001 | ELEVATOR BOLT 1/4"X1-1/4" |
| 13 | P0131016 | NUT 1/4" PLATED GRADE 8 |
| 14 | P0131017 | NUT 5/16" PLATED GRADE 8 |
| 15 | P0131019 | NUT 3/4" PLATED GRADE 8 |
| 16 | P0134026 | LOCKNUT-NYLON-3/8" GRADE 8 |
| 17 | P0134008 | LOCKNUT-NYLON-1/2" |
| 18 | P0141002 | TEK SCREW 1/4"X1" |
| 19 | P0145001 | VINYL SCREW CAP |
| 20 | P0151006 | FLAT WASHER 1/4"PLATED USS |
| 22 | P0161003 | COTTER PIN 3/16"X1-1/2"PLATED |
| 23 | P0162007 | HOPPER PIVOT SHAFT-13/15 |
| 24 | P0521001 | HOPPER SPRING-L |
| 25 | P0521002 | HOPPER SPRING-R |
| 26 | P1621007 | HOPPER CANVAS-15 CONV. |
| 27 | P1641015 | TRIM LOCK |
| 28 | P1711001 | FLANGE UNIT-1-1/2"-SAFL208-24 |
| 29 | P2515017 | PIVOT SHAFT BRACKET |
| 30 | P11150047 | HOPPER SHIELD |
| 31 | P19159000 | HOPPER LEFT FLASHING STD |
| 32 | P19159001 | HOPPER RIGHT FLASHING STD |
| 33 | P19159002 | HOPPER FRONT FLASHING STD |
| 34 | 15000314 | HOPPER -LINER KIT STD |
| 35 | 15000306P | HOPPER -FLASHING ONLY STD |
| 36 | 15000304P | HOPPER -COLLAPSABLE STD |

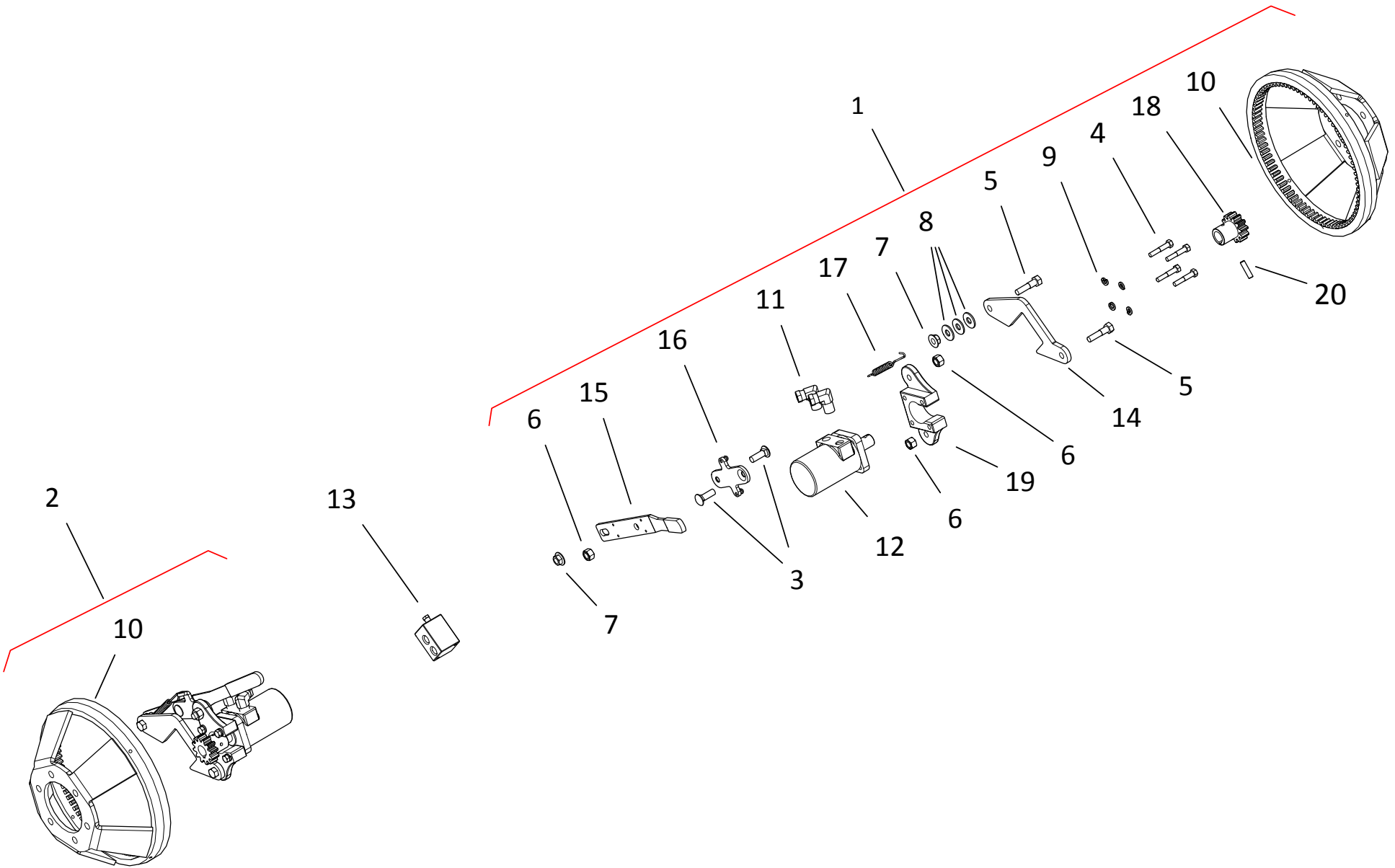
324



WHEEL MOVE

| ITEM | PART NO. | DESCRIPTION |
|------|-------------|-------------------------------------|
| 1 | 13120003 | WALKING BEAM |
| 2 | 13120004 | WALKING BEAM-STEERING |
| 3 | 13120005 | FORK-STRAIGHT |
| 4 | 13120007 | STEERING PIPE |
| 5 | 13120008 | LOCKING PIPE |
| 6 | 13120023 | STEERING STOP |
| 7 | 13120024 | HD CASTOR RETAINER C/W YOKE LINK AR |
| 8 | 13120125 | STEERING WELDMENT |
| 9 | 13122023 | STEERING LINK ARM |
| 10 | 13122076 | LINKAGE - THREADED 1/2X8 ROD |
| 11 | 13122078 | HANDLE JOINT |
| 12 | 13122087 | WM STEERING HANDLE PIPE |
| 13 | 15120001 | WHEEL MOVE BASE LEFT |
| 14 | 15120002 | WHEEL MOVE BASE RIGHT |
| 15 | 15120003 | CAM LIFT |
| 16 | 15120004 | SWIVEL BLOCK |
| 17 | P02-0200344 | HANDLE GRIP 1-1/4" |
| 18 | P0118019 | BOLT 1/2" X 3-1/2" GR8 PLATED |
| 19 | P0118029 | BOLT 1/4" X 2" GR8 PLATED |
| 20 | P0118050 | BOLT 3/8" X 2" GR8 PLATED |
| 21 | P0118063 | BOLT 5/16" X 2-1/2" GR8 PLATED |
| 22 | P0118133 | BOLT 3/4" X 7" GR8 PLATED |
| 23 | P0118016 | BOLT 1/2" X 2" GR8 PLATED |
| 24 | P0118017 | BOLT 1/2"X2-1/2"GRADE 8 PLATED |
| 25 | P0118077 | BOLT 7/16"X1-1/2" GRADE 8 PLATED |
| 26 | P0134023 | LOCKNUT-NYLON-1/4" GR8 |
| 27 | P0134027 | LOCKNUT-NYLON-5/16" GRADE 8 |
| 28 | P0134026 | LOCKNUT-NYLON-3/8" GRADE 8 |
| 29 | P0134007 | LOCKNUT-NYLON-7/16" |
| 30 | P0134008 | LOCKNUT-NYLON-1/2" |
| 31 | P0134029 | LOCKNUT-NYLON-3/4" GRADE 8 |
| 32 | P0152008 | LOCK WASHER 1/2"PLATED |
| 33 | P0162004 | HITCH PIN 1/2" X 5" PLATED |
| 34 | P0163001 | HAIR PIN 3/16" X 3-1/4" |
| 35 | P0614306 | TIRE & RIM 480X8 LRC |
| 36 | P0631010 | TIE ROD END BALL JOINT |
| 37 | P0812516 | HYD CYL-2-1/2X16 |
| 38 | P0820003 | SWIVEL-10ORBX1/2F90 |
| 39 | P0820009 | SWIVEL-6MORBX1/2"FPT/90D |
| 40 | P0820611 | ELBOW-6 ORBX3/8"JIC M 45 |
| 41 | P1742002 | BEARING-1-1/4" |
| 42 | P08610091 | VALVE-3 SPL-W/2 HANDLES |
| 43 | P11130185 | AXLE END CAP |
| 44 | 15060022 | MOVER FLANGE SUPPORT |
| 45 | P2513203P | 3" U-CLAMP PAINTED |
| 46 | P0118013 | BOLT 1/2"X1 1/2" GR.8 PLATED |

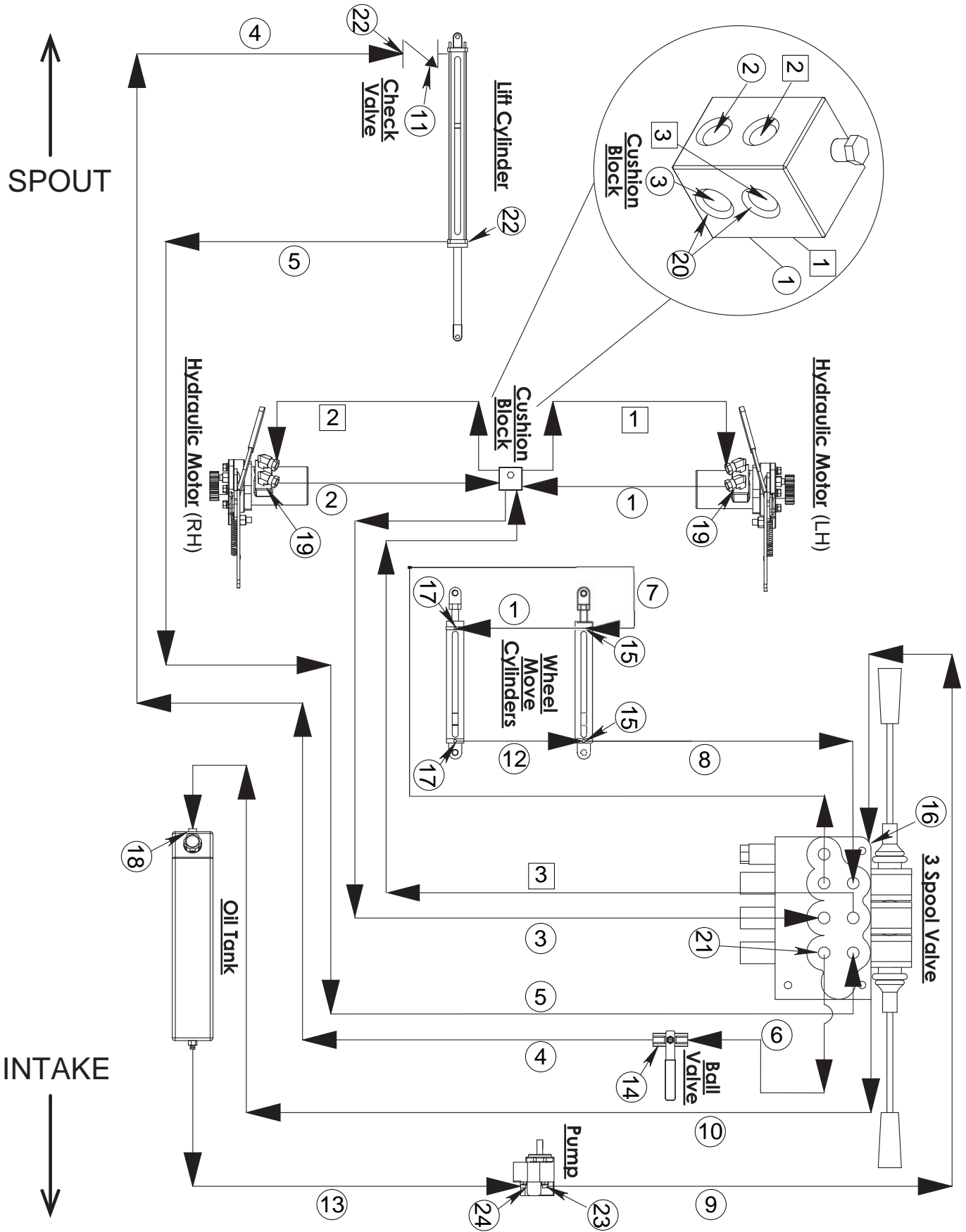
WHEEL MOVE DRIVE SYSTEM (13000144)



WHEEL MOVE DRIVE SYSTEM (13000144)

| ITEM | PART NO. | DESCRIPTION |
|------|-------------|------------------------------------|
| 1 | 13000120 | WM DRIVE PINION GEAR ASSY - RIGHT |
| 2 | 13000121 | WM DRIVE PINION GEAR ASSY - LEFT |
| 3 | P0113004 | CARRIAGE BOLT 1/2"X1-1/2"PLATED |
| 4 | P0118050 | BOLT 3/8" X 2" GR8 PLATED |
| 5 | P0118016 | BOLT 1/2" X 2" GR8 PLATED |
| 6 | P0134008 | LOCKNUT-NYLON-1/2" |
| 7 | P0134108 | LOCKNUT-TENSILOCK-1/2" |
| 8 | P0151029 | FLAT WASHER 1/2"PLATED USS |
| 9 | P0152006 | LOCK WASHER 3/8"PLATED |
| 10 | P0615314 | RING GEAR - 6 BOLT C/W MOUNT PLATE |
| 11 | P0820013 | SWIVEL-1/2MX3/8F90 |
| 12 | P0841012 | HYD MOTOR-6.3 (5.9H) RS-1/2" HOLE |
| 13 | P0861201 | CUSHION BLOCK, COMPLETE |
| 14 | P11130126 | WHEEL-MOVE AXLE TAB 3" |
| 15 | P020200007 | HANDLE WITH GRIP |
| 16 | 15121033 | PAINTED HANDLE LINK ARM |
| 17 | P020200009 | HANDLE SPRING |
| 18 | P020200333 | PINION GEAR-1"ID 3/8"HOLE |
| 19 | P020200338A | MOTOR ARM -EYEGLOSS PIECE, DRILLED |
| 20 | P0167101 | ROLL PIN SLOTTED 3/8" X 1-1/2" |
| 21 | P0163011 | HAIR PIN 5/32X2-15/16 (66326) |
| 22 | P0821127 | SWIVEL-3/8"-STR. |

WHEEL MOVE HYDRAULIC SCHEMATIC

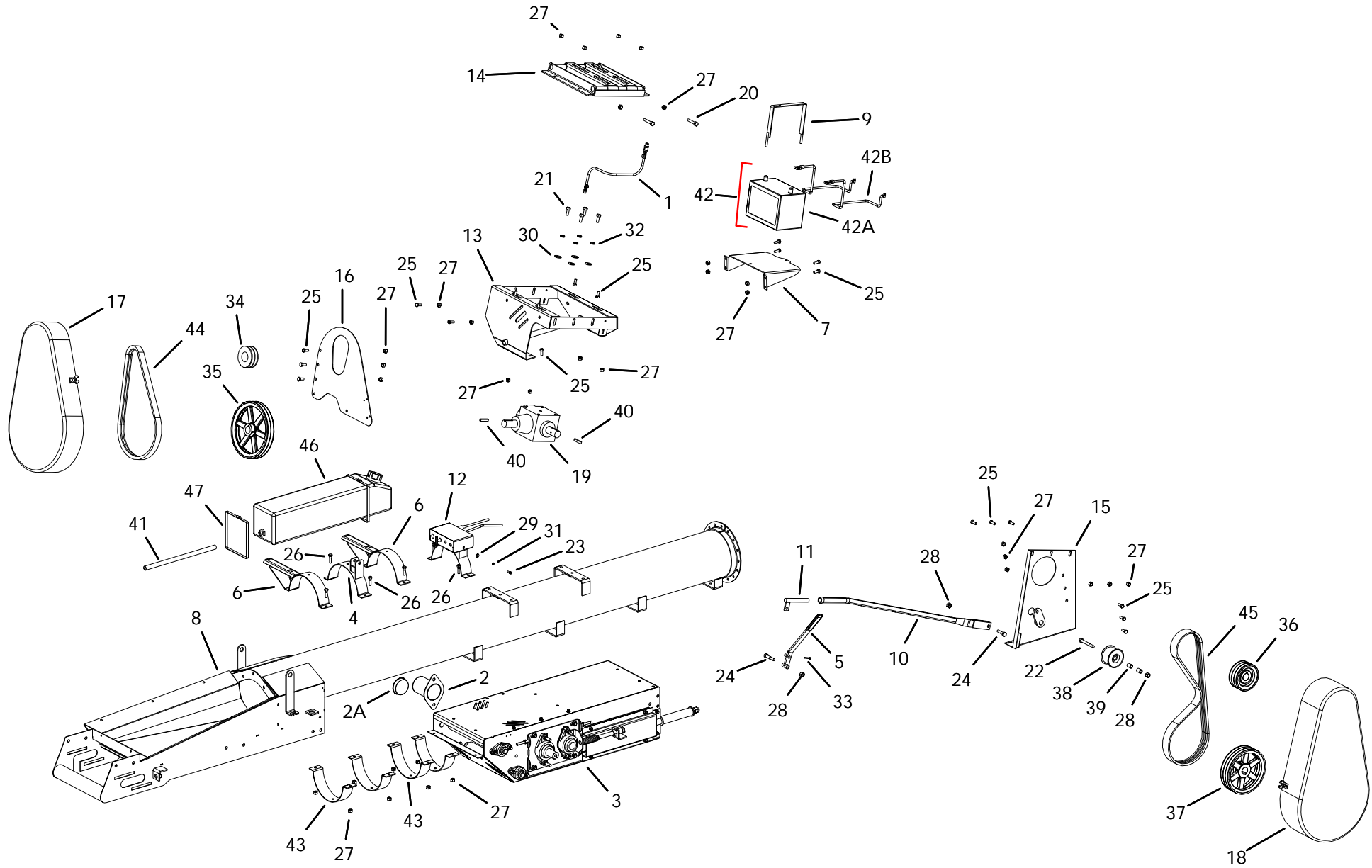


WHEEL MOVE HYDRAULIC SCHEMATIC

| ITEM | PART NO. | DESCRIPTION |
|------|------------|------------------------------------|
| 1 | P0832020 | HOSE 3/8(4'6")-3/8MPT-3/8MPT PC |
| 2 | P0832038 | HOSE 3/8(9')-3/8MPT-3/8MPT PC |
| 3 | P0832069 | HOSE 3/8(50')-3/8MPT-3/8FJIC PC |
| 4 | P0832068 | HOSE 3/8(52'6")-1/2MPT-1/2MPT PC |
| 5 | P0832067 | HOSE 3/8(63')-1/2MPT-3/8FJICX PC |
| 6 | P0832043 | HOSE 3/8(10'6")-1/2MPT-3/8FJIC PC |
| 7 | P0832026 | HOSE 3/8(7')-3/8FJICX-3/8MPT PC |
| 8 | P0832040 | HOSE 3/8(5'10")-3/8MPT-3/8FJICX PC |
| 9 | P0832053 | HOSE 1/2(11'6")-1/2"MPT-1/2"MPT PC |
| 10 | P0832031 | HOSE 1/2(15')-1/2MPT-1/2MPT PC |
| 11 | P0861035 | CHECK VALVE-1/2" (NO HOLE) |
| 12 | P0832029 | HOSE 3/8(5'6")-3/8MPT-3/8MPT PC |
| 13 | 01010148 | HOSE 3/4(5')-HOSE-HOSE |
| 14 | P0861001 | BALL VALVE-1/2" |
| 15 | P029900791 | TEE-3/8"FSX3/8"MX3/8"FS |
| 16 | P0820010 | SWIVEL-8MORBX1/2"FPT/90D |
| 17 | P0820007 | SWIVEL-3/8"PT/90D |
| 18 | P0821112 | SWIVEL-1/2" STRAIGHT |
| 19 | P0820013 | SWIVEL-1/2MX3/8F90 |
| 20 | P0821127 | SWIVEL-3/8"-STR. |
| 21 | P0820611 | ELBOW-6 ORBX3/8"JIC M 45 |
| 22 | P0820001 | SWIVEL-1/2"90 DEGREE |
| 23 | P0821129 | SWIVEL-6MORBX1/2"FPT |
| 24 | P0820702 | HOSE BARB-10MORBX3/4"HOSE |

GAS DIRECT DRIVE KIT (15593100)

330



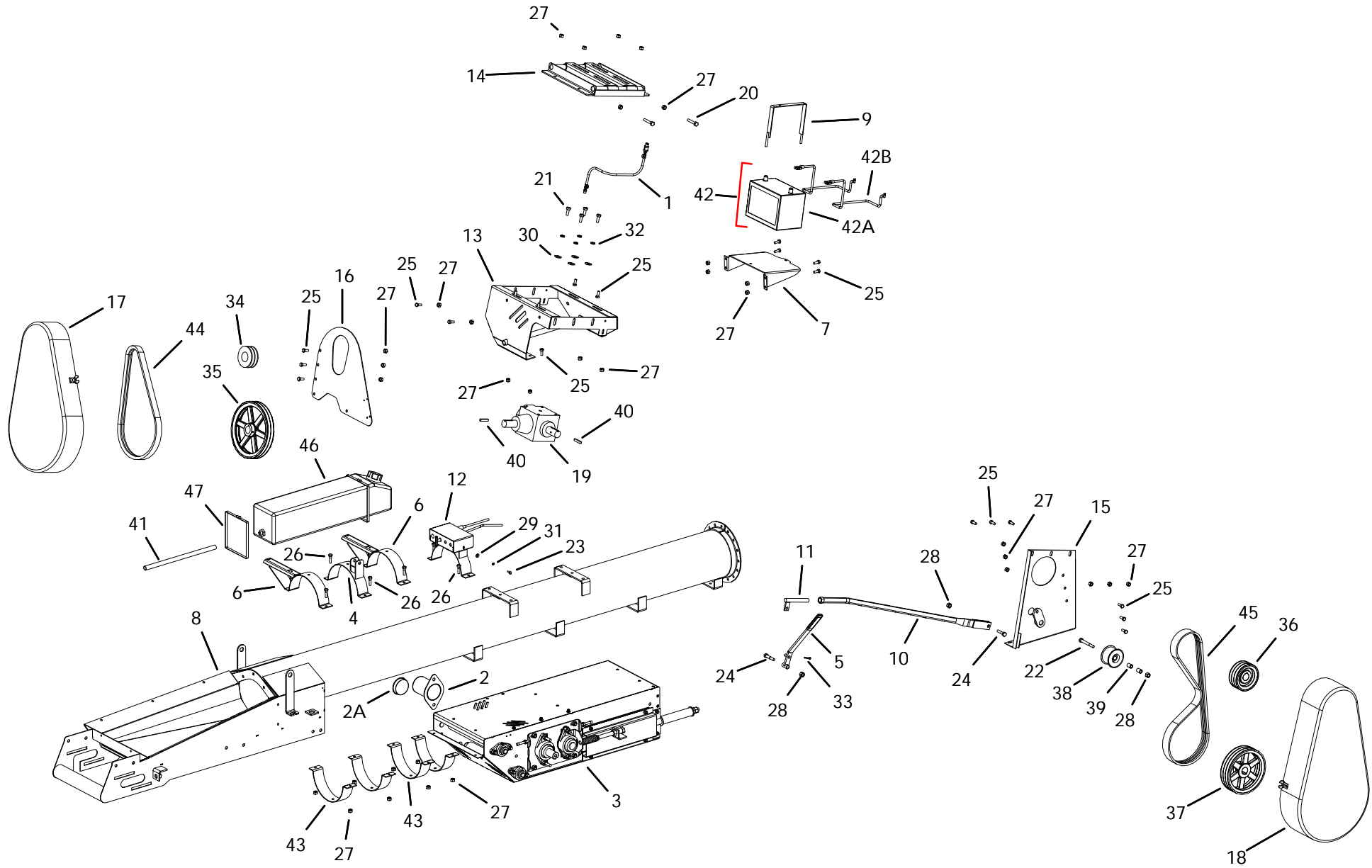
Note: Gas Drive Kit (15593100) does not include item # 8, 34 & 42.

GAS DIRECT DRIVE KIT (15593100)

| ITEM | PART NO. | DESCRIPTION |
|------|------------|-------------------------------------|
| 1 | 01010003 | BREATHER DIRECT DRIVE |
| 2 | 24041038 | SHAFT GUARD(FL-210) |
| 3 | 15590020 | S-DRIVE ASM W/PINCH |
| 4 | 13010048 | MOTOR MT OVERCENTER ANCHOR BKT |
| 5 | 13010054 | MOTOR MT OVERCENTER HANDLE |
| 6 | 13011038 | PLASTIC TANK SIDE MOUNT W 2.5" CLAM |
| 7 | 13012108 | MOTOR MOUNT BATTERY MOUNT |
| 8 | 13020040 | BT HOPPER SECTION 10' WITH SD BKTS |
| 9 | 13060054 | BATTERY CLAMP |
| 10 | 13060068 | MOTOR MT OVERCENTER PUSHROD |
| 11 | 13060074 | OVERCENTER ADJUSTER |
| 12 | 13060080 | DIRECT DRV CONTROL BOX |
| 13 | 13060102 | MOTOR MOUNT |
| 14 | 13060103 | SLIDER MOUNT |
| 15 | 13060105 | MOTOR MOUNT BACK PLATE |
| 16 | 13060107 | ENGINE GUARD BACK |
| 17 | 15040055 | PINCH GUARD SMALL ASSEMBLED |
| 18 | 15040056 | PINCH GUARD MED ASSEMBLED |
| 19 | 15591001 | GBOX 90 2:1 CW/CW 1-1/2 4190 W/OIL |
| 20 | P0114005 | TAP BOLT 1/2 X 2-1/2 GR.8 PLATED |
| 21 | P0118020 | BOLT 1/2" X 1-1/4" GR8 PLATED |
| 22 | P0118130 | BOLT 1/2" X 4" GR8 PLATED |
| 23 | P0118033 | BOLT 1/4" X 3/4" GR8 PLATED |
| 24 | P0118016 | BOLT 1/2" X 2" GR8 PLATED |
| 25 | P0118076 | BOLT 7/16"X1" GRADE 8 PLATED |
| 26 | P0118077 | BOLT 7/16"X1-1/2" GRADE 8 PLATED |
| 27 | P0134007 | LOCKNUT-NYLON-7/16" |
| 28 | P0134008 | LOCKNUT-NYLON-1/2" |
| 29 | P0151006 | FLAT WASHER 1/4"PLATED USS |
| 30 | P0151029 | FLAT WASHER 1/2"PLATED USS |
| 31 | P0152004 | LOCK WASHER 1/4"PLATED |
| 32 | P0152008 | LOCK WASHER 1/2"PLATED |
| 33 | P0161003 | COTTER PIN 3/16"X1-1/2"PLATED |
| 34 | P0328018 | PULLEY-DBL-BK-4"H |
| 35 | P0328024 | PULLEY-DBL-12" W/1-1/2"BORE |
| 36 | P0328050 | PULLEY-TRPL-6" W/1-1/2"BORE |
| 37 | P0328079 | PULLEY-TRPL-10" W/1-1/2"BORE |
| 38 | P0328910 | IDLER-FLAT-4"TRPL 2-7/16"WIDE |
| 39 | P0351019 | DNR-BUSHING 3/4"ODX1/2"IDX1"BRONZE |
| 40 | P0391002 | KEY 3/8" X 2" LONG |
| 41 | P0831008 | FUEL LINE-1/4"ID |
| 42 | P0951013 | BATTERY 420CCA |
| 43 | P2219801P | U-CLAMP HANGER-10"X2-1/2"-BLACK |
| 44 | P03210531 | BELT 2B53 BANDED |
| 45 | P03210652 | BELT 3B65 BANDED |
| 46 | P021200051 | GAS TANK W/CAP W/FITTING-22L |

GAS DIRECT DRIVE KIT (15593100)

332

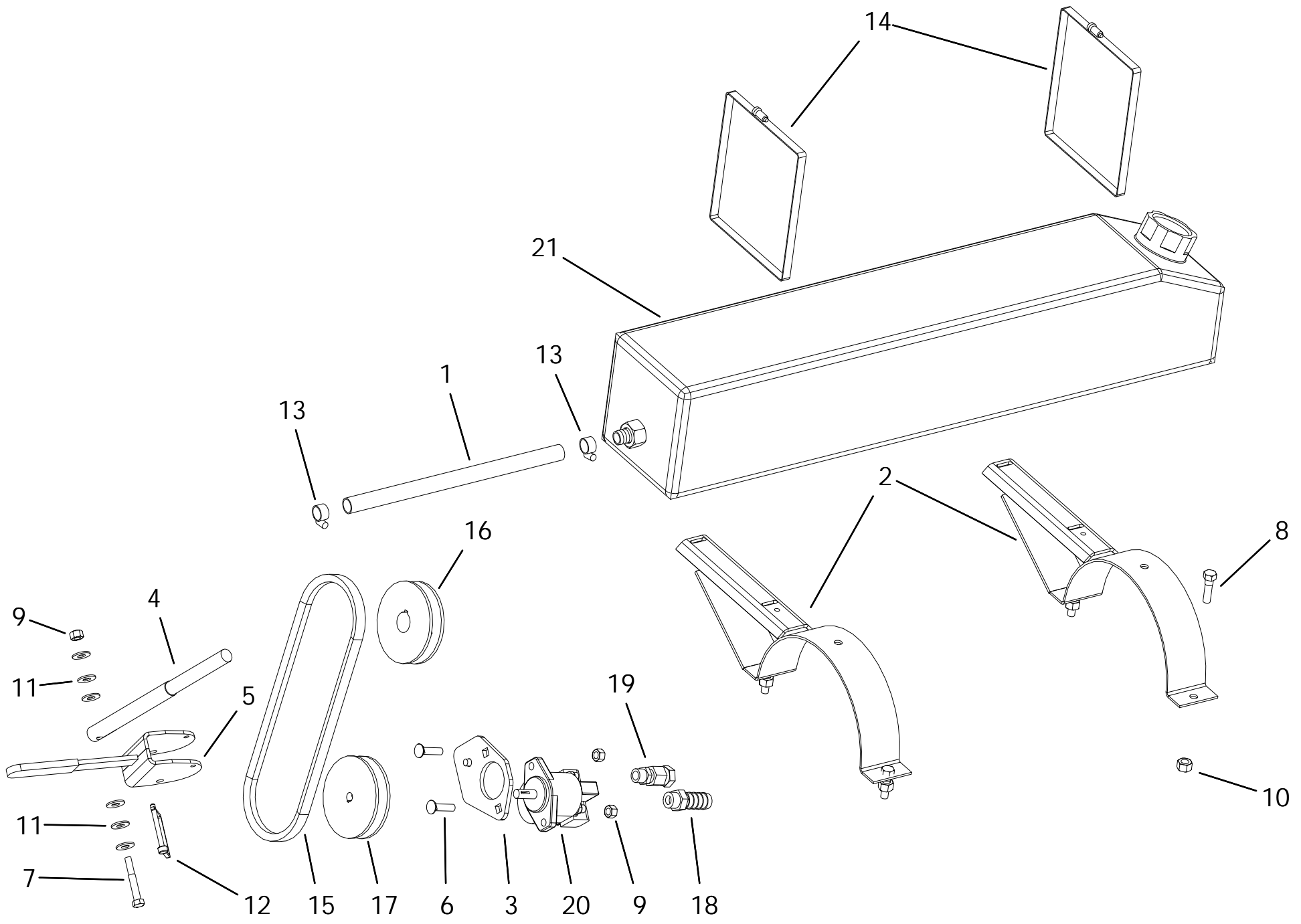


Note: Gas Drive Kit (15593100) does not include item # 8, 34 & 42.

GAS DIRECT DRIVE KIT (15593100)

| ITEM | PART NO. | DESCRIPTION |
|-------------|-----------------|-------------------------------|
| 46 | 1200011 | CAP, FOR RESERVOIR & GAS TANK |
| 47 | P029900216 | GEAR CLAMP 32" |

WET KIT GAS (1559408X) - 45



WET KIT GAS (1559408X) - 45

| ITEM | PART NO. | DESCRIPTION |
|------|--------------|-------------------------------------|
| 1 | 01010188 | HOSE 3/4(9')-HOSE-HOSE |
| 2 | 13011038 | PLASTIC TANK SIDE MOUNT W 2.5" CLAM |
| 3 | 13060104 | PUMP MOUNT -PINCH DRIVE |
| 4 | 13100028 | PIVOT HANDLE SHAFT |
| 5 | 13100035 | PIVOT HANDLE |
| 6 | P0113018 | CARRIAGE BOLT 3/8"X1 1/2"PLATED |
| 7 | P0118051 | BOLT 3/8" X 2-1/2" GR8 PLATED |
| 8 | P0118077 | BOLT 7/16"X1-1/2" GRADE 8 PLATED |
| 9 | P0134026 | LOCKNUT-NYLON-3/8" GRADE 8 |
| 10 | P0134007 | LOCKNUT-NYLON-7/16" |
| 11 | P0151009 | FLAT WASHER 3/8"PLATED USS |
| 12 | P0163010 | QUICK PIN 1/4X2-1/2 |
| 13 | P0184006 | HOSE CLAMP-3/4"(HS12) |
| 14 | P029900216 | GEAR CLAMP 32" |
| 15 | P0321035 | BELT B35 |
| 16 | P0328905 | PULLEY-4-1/2"X1-1/8" |
| 17 | P0328906 | PULLEY-4-1/2"X1/2" |
| 18 | P0820702 | HOSE BARB-10MORBX3/4"HOSE |
| 19 | P0821130 | SWIVEL-8 ORBX1/2"FPS |
| 20 | P0841033 | PUMP-SMALL |
| 20 | P0841033S | PUMP-0.375 CW/END PORTS SEAL |
| 21 | P029900052-3 | TANK, 22L, BLK W/FTG, CAP HOSE |



Shipping: 201 Industrial Drive, Swift Current, Saskatchewan S9H 5R4, CANADA

Mailing: Box 1750, Swift Current, Saskatchewan S9H 4J8, CANADA

Toll-Free: (877) 667-7421 (Canada & USA)

Phone: (306) 773-7779

Fax: (306) 778-2524

Email: info@batcomfg.com

Web: www.batcomfg.com

Batco is part of the Ag Growth International group

© Ag Growth International 2019

Printed in Canada